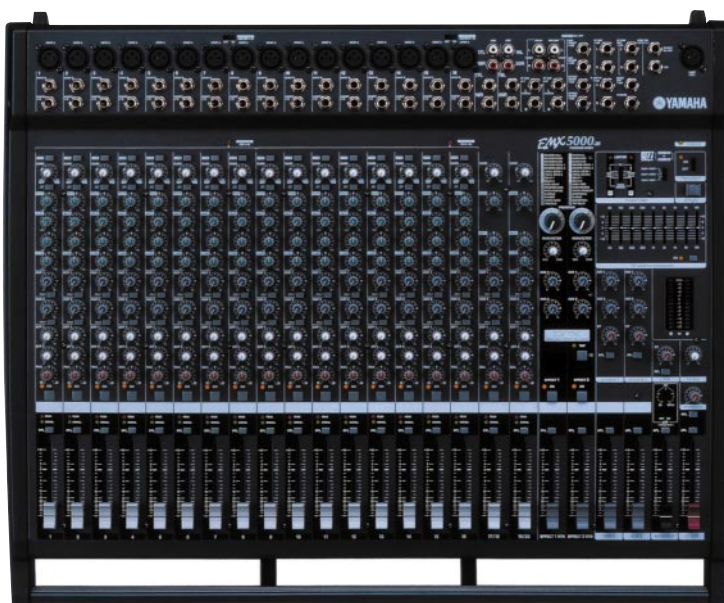


EMX5000-12/20

POWERED MIXER

SERVICE MANUAL

本资料由OKXIA视听皮带资源库www.okxia.cn提供



EMX5000-20

■ CONTENTS

SPECIFICATIONS	3/5
PANEL LAYOUT	7
CIRCUIT BOARD LAYOUT	11
BLOCK & LEVEL DIAGRAM	12
WIRING	14
DIMENSIONS	14
DISASSEMBLY PROCEDURE	15
LSI PIN DESCRIPTION	20
IC BLOCK DIAGRAM	23
CIRCUIT BOARDS	24
INSPECTIONS	39/46
CIRCUIT DIAGRAMS	54
PARTS LIST	

This document is printed on chlorine free (ECF) paper with soy ink.

IMPORTANT NOTICE

This manual has been provided for the use of authorized Yamaha Retailers and their service personnel. It has been assumed that basic service procedures inherent to the industry, and more specifically Yamaha Products, are already known and understood by the users, and have therefore not been restated.

WARNING : Failure to follow appropriate service and safety procedures when servicing this product may result in personal injury, destruction of expensive components and failure of the product to perform as specified. For these reasons, we advise all Yamaha product owners that all service required should be performed by an authorized Yamaha Retailer or the appointed service representative.

IMPORTANT : This presentation or sale of this manual to any individual or firm does not constitute authorization certification, recognition of any applicable technical capabilities, or establish a principal-agent relationship of any form.

The data provided is believed to be accurate and applicable to the unit(s) indicated on the cover. The research engineering, and service departments of Yamaha are continually striving to improve Yamaha products. Modifications are, therefore, inevitable and changes in specification are subject to change without notice or obligation to retrofit. Should any discrepancy appear to exist, please contact the distributor's Service Division.

WARNING : Static discharges can destroy expensive components. Discharge any static electricity your body may have accumulated by grounding yourself to the ground bus in the unit (heavy gauge black wires connect to this bus.)

IMPORTANT : Turn the unit OFF during disassembly and parts replacement. Recheck all work before you apply power to the unit.

WARNING: CHEMICAL CONTENT NOTICE!

The solder used in the production of this product contains LEAD. In addition, other electrical/electronic and/or plastic (Where applicable) components may also contain traces of chemicals found by the California Health and Welfare Agency (and possibly other entities) to cause cancer and/or birth defects or other reproductive harm.

DO NOT PLACE SOLDER, ELECTRICAL/ELECTRONIC OR PLASTIC COMPONENTS IN YOUR MOUTH FOR ANY REASON WHAT SO EVER!

Avoid prolonged, unprotected contact between solder and your skin! When soldering, do not inhale solder fumes or expose eyes to solder/flux vapor!

If you come in contact with solder or components located inside the enclosure of this product, wash your hands before handling food.

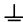
WARNING: THIS APPARATUS MUST BE EARTHED

IMPORTANT

THE WIRES IN THIS MAINS LEAD ARE COLOURED IN ACCORDANCE WITH THE FOLLOWING CODE:

GREEN-AND-YELLOW :	EARTH
BLUE :	NEUTRAL
BROWN :	LIVE

As the colours of the wires in the mains lead of this apparatus may not correspond with the coloured markings identifying the terminals in your plug, proceed as follows:


The wire which is coloured GREEN and YELLOW must be connected to the terminal in the plug which is marked by the letter E or by the safety earth symbol  or coloured GREEN and YELLOW.

The wire which is coloured BLUE must be connected to the terminal which is marked with the letter N or coloured BLACK.

The wire which is coloured BROWN must be connected to the terminal which is marked with the letter L or coloured RED.

* This applies only to products distributed by YAMAHA KEMBLE MUSIC (U.K.) LTD.

WARNING

Components having special characteristics are marked  and must be replaced with parts having specification equal to those originally installed.



This mark urges servicemen to pay attention.

SPECIFICATIONS

● General specifications

Maximum output power	SPEAKERS: 500 W+500 W/4Ω @0.5% THD at 1 kHz 325 W+325 W/8Ω @0.5% THD at 1 kHz BRIDGE: 1000 W/8Ω @0.5% THD at 1 kHz	
Frequency response	20 Hz–20 kHz +1 dB, –3 dB @1 W output into 8Ω (SPEAKERS OUT) 20 Hz–20 kHz +1 dB, –3 dB @+4 dB output into 600Ω (ST OUT, ST SUB OUT, MONO OUT, AUX SEND, EFFECT SEND)	
Total harmonic distortion	Less than 0.5% @20 Hz–20 kHz, 250 W output into 4Ω (SPEAKERS OUT) Less than 0.3% @20 Hz–20 kHz, +14 dB output into 600Ω (ST OUT, ST SUB OUT, MONO OUT, AUX SEND, EFFECT SEND)	
Hum & noise (Average, Rs=150Ω) (with 20 Hz–20 kHz BPF)	–128 dB equivalent input noise, –65 dB residual output noise (SPEAKERS OUT)	
	–95 dB residual output noise (ST OUT, ST SUB OUT, AUX SEND)	
	–84 dB (ST OUT, MONO OUT)	ST master/MONO master fader at nominal level and all channel On switches off and all channel fader at minimum.
	–64 dB (68 dB S/N) (ST OUT, MONO OUT)	ST master fader at nominal level and one channel On switch on and one channel fader at nominal level and one channel Gain control at nominal level.
	–81 dB (AUX SEND)	Master fader at nominal level and all channel On switches off and all channel level control at minimum.
	–80 dB (EFFECT SEND)	All channel level control at minimum.
Maximum voltage gain	108 dB INPUT A/B to SPEAKERS OUT 84 dB INPUT A/B to ST OUT, MONO OUT 80 dB INPUT A/B to AUX SEND (PRE) 90 dB INPUT A/B to AUX SEND (POST) 78 dB INPUT A/B to EFFECT SEND 58 dB ST CH IN to ST OUT	
Crosstalk at 1 kHz	68 dB adjacent input, 68 dB input to output	
Input channel equalization	±15 dB Maximum HIGH 10 kHz shelving* MID 250 Hz–5 kHz peaking LOW 100 Hz shelving* * Turn over/roll off frequency of shelving: 3 dB below maximum variable level.	
ST Input channel equalization	±15 dB Maximum HIGH 10 kHz shelving* MID 2.5 kHz peaking LOW 100 Hz shelving* * Turn over/roll off frequency of shelving: 3 dB below maximum variable level.	
CH peak indicators	Red LED on each channel lits when POST EQ signal reaches the level –3 dB below clipping.	
CH signal indicators	Green LED on each channel lits when POST EQ signal reaches the level –10 dB.	
Meters	13 points LED meter	
Power amp select switch	500W + 500W, 300W + 300W, 100W + 100W	
Limiter	Comp. : THD≥0.5% (SPEAKERS OUT)	
LIMIT indicators	Turn on : THD≥0.5% (SPEAKERS OUT)	
Graphic equalizer	9 bands (63, 125, 250, 500, 1k, 2k, 4k, 8k, 16k Hz), ±12 dB Maximum	
Internal digital effect 1	16 programs, parameter control	
Internal digital effect 2	16 programs, parameter control, tap delay control, foot switch (DIGITAL EFFECT ON/OFF, TAP)	
Foot switch (FC5)	Digital effect 2 mute: on/off, Tap delay	
Protection circuit (Power amp)	POWER switch on/off mute, DC detection, TEMP (heatsink temp. ≥90°C)	
Fan circuit	stop — low speed (50°C) — variable — high speed (70°C)	
Phantom power	+48 V (balanced input)	
Option	FC5 (Foot switch), RK-124 (EMX5000-12)	
Power requirement/ Power consumption	USA and Canada: 120 V AC 60 Hz, 400 W Europe: 230 V AC 50 Hz, 550 W Other: 240 V AC 50 Hz, 550 W	
Dimensions (WxHxD)	682 × 158 × 538 mm (EMX5000-20) / 478 × 158 × 538 mm (EMX5000-12)	
Weight	19 kg (EMX5000-20) / 15 kg (EMX5000-12)	
Accessories	Power cord, Owner's Manual	

● Input specifications

Input terminals	Gain control	Actual load impedance	For use with nominal	Input level			Connectors on mixer
				Sensitivity ¹	Nominal	Max. before clip	
CH INPUT A (CH1–8/1–16)	–60	5 kΩ	50–600Ω Mics	–80 dB (0.078 mV)	–60 dB (0.775 mV)	–40 dB (7.75 mV)	XLR-3-31 type ²
	–16			–36 dB (12.3 mV)	–16 dB (123 mV)	+4 dB (1.23 V)	
CH INPUT B (CH1–8/1–16)	–60	50 kΩ		–80 dB (0.078 mV)	–60 dB (0.775 mV)	–40 dB (7.75 mV)	PHONE JACK (TRS) ²
	–16			–36 dB (12.3 mV)	–16 dB (123 mV)	+4 dB (1.23 V)	
ST INPUT (CH9–12/17–20)	–34			–54 dB (1.55 mV)	–34 dB (15.5 mV)	–14 dB (155 mV)	PHONE JACK ³
	+10			–10 dB (245 mV)	+10 dB (2.45 V)	+30 dB (24.5 V)	
ST SUB IN (1, 2)		10 kΩ	600Ω Lines	–12 dB (195 mV)	+4 dB (1.23 V)	+20 dB (7.75 V)	
2TR IN (L, R)				–26 dBV (50.1 mV)	–10 dBV (316 mV)	+10 dBV (3.16 V)	PHONO JACK ³
INSERT IN (CH1–8/1–16)				–20 dB (77.5 mV)	0 dB (0.775 V)	+20 dB (7.75 V)	PHONE JACK ³
POWER AMP IN (A, B)				–12 dB (195 mV)	+4 dBV (1.23 V)	+18 dB (6.16 V)	PHONE JACK ³

- Sensitivity is the lowest level that can produce an output of +4 dB (1.23 V) or the nominal output level when the unit is set at maximum gain.
(All fader and level controls are at maximum position.)
 - Balanced. (T=HOT, R=COLD, S=GND)
 - Unbalanced.
- In these specifications when dB represents a specific voltage, 0 dB is referenced to 0.775 Vrms, 0 dBV is referenced to 1 Vrms.

● Output specifications

Output terminals	Actual source impedance	For use with nominal	Output level		Connectors on mixer
			Nominal	Max. before clipping	
ST OUT (L/R)	150Ω	600Ω Lines	+4 dB (1.23 V)	+20 dB (7.75 V)	PHONE JACK ¹
ST SUB OUT (L/R)					
MONO OUT					
AUX SEND 1, 2					
EFFECT SEND 1, 2					
REC OUT (L/R)	600Ω	10 kΩ Lines	–10 dBV (316 mV)	+10 dBV (3.16 V)	PHONO JACK ¹
INSERT OUT (CH1–8/1–16)			0 dB (775 mV)	+20 dB (7.75 V)	PHONE JACK ¹
PHONES (L/R)	100Ω	40Ω Lines	3 mW	75 mW	PHONE JACK (TRS) ²
SPEAKERS 1 (A, B)	0.1Ω	4/8Ω Speakers	100 W/4Ω	500 W/4Ω	SPEAKON
SPEAKERS 2 (A, B)					PHONE JACK ¹

- Unbalanced.
 - Impedance balanced. (T=HOT, R=COLD, S=GND)
- In these specifications when dB represents a specific voltage, 0 dB is referenced to 0.775 Vrms, 0 dBV is referenced 1 Vrms.

For European Model

Purchaser/User Information specified in EN55103-1 and EN55103-2.

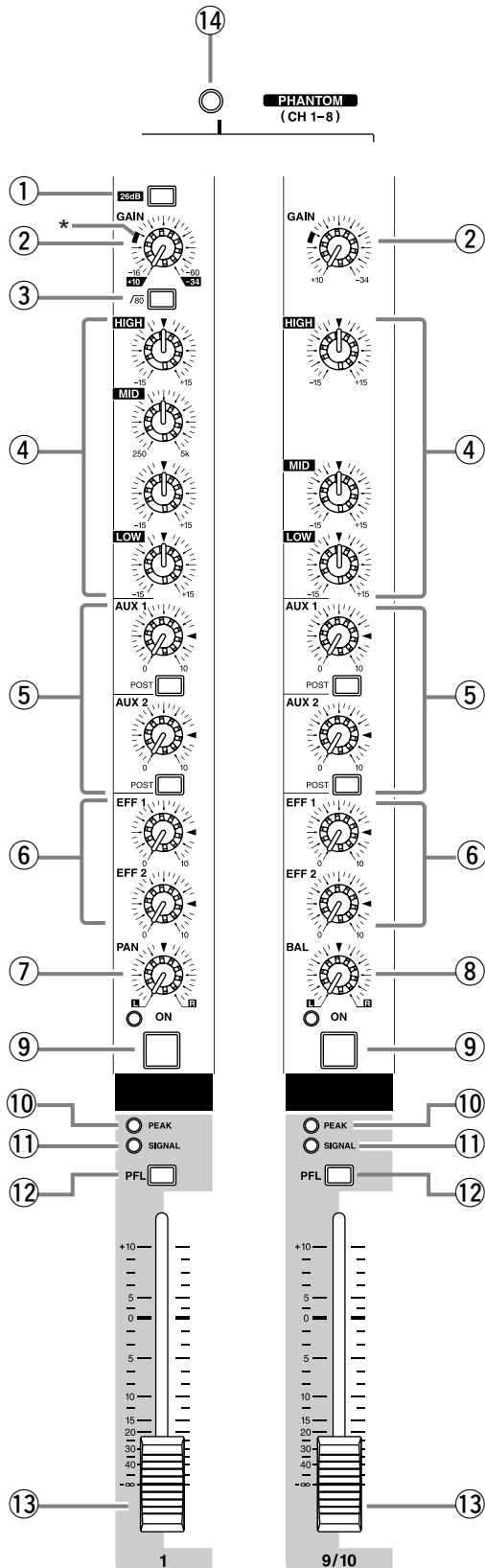
Inrush Current: 70A

Conformed Environment: E1, E2, E3 and E4

■ PANEL LAYOUT

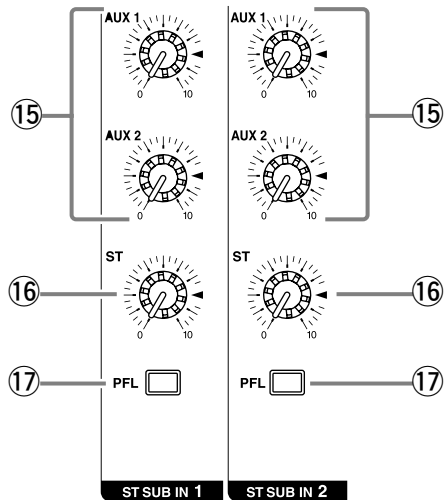
Control Panel

• Channel Control Section



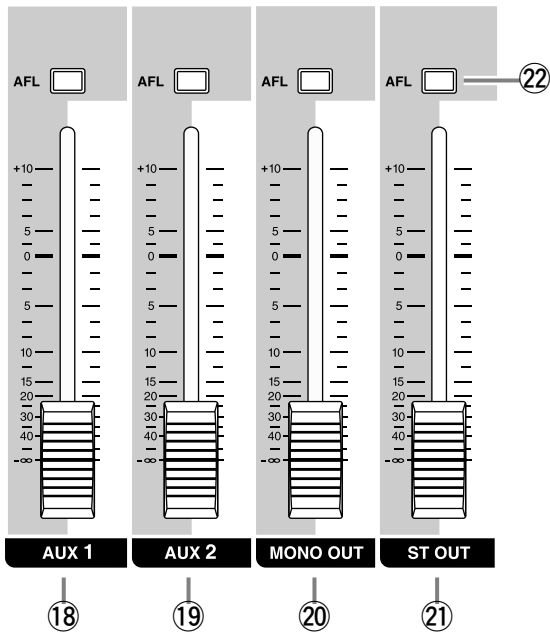
- ① 26 dB pad switch
- ② GAIN control
- ③ /80 (High pass filter) switch
- ④ Equalizer controls (HIGH, MID, LOW)
- ⑤ AUX1, AUX2 controls / POST switches
- ⑥ EFF 1, 2 controls (EFFECT)
- ⑦ PAN (panpot) control
(EMX5000-20: Cannels 1-16,
EMX5000-12: Cannels 1-8)
- ⑧ BAL (balance) control
(EMX5000-20: Cannels 17/18-19/20,
EMX5000-12: Cannels 9/10-11/12)
- ⑨ ON switch, indicator
- ⑩ PEAK indicator
- ⑪ SIGNAL indicator
- ⑫ PFL (pre-fader listen) switch
- ⑬ Channel fader
- ⑭ PHANTOM indicator

• Stereo Sub Input Section



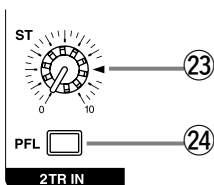
- ⑮ AUX 1, 2 controls
- ⑯ ST (stereo) control
- ⑰ PFL (pre-fader listen) switch

• Master Control Section



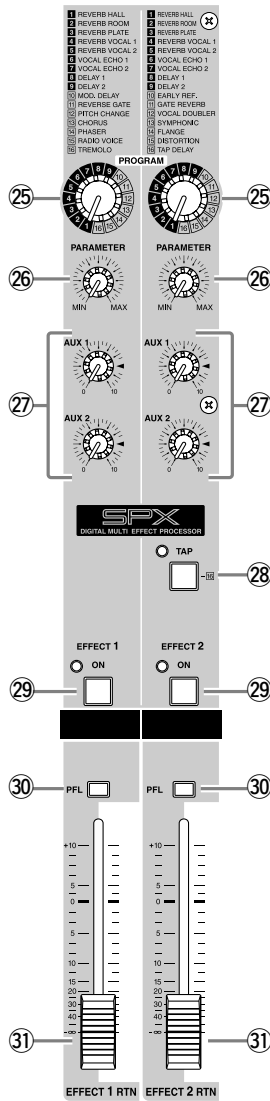
- ⑱ AUX 1 fader
- ⑲ AUX 2 fader
- ⑳ MONO OUT fader
- ㉑ ST OUT fader
- ㉒ AFL (after fader listen) switch

• 2TR IN Section



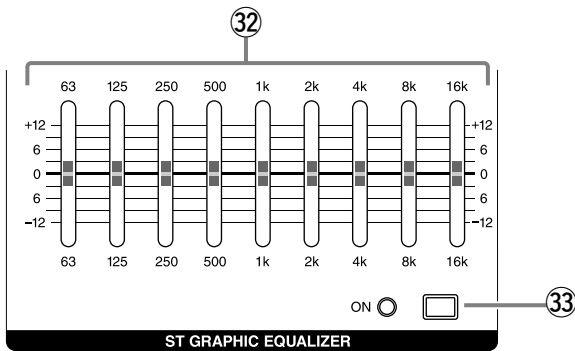
- ST (stereo) control
- PFL (pre-fader listen) switch

• Digital effect Section



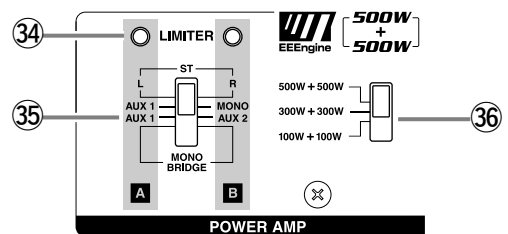
- ②5 PROGRAM selector
- ②6 PARAMETER control
- ②7 AUX 1/2 control
- ②8 TAP switch, indicator
- ②9 EFFECT 1/2 ON switch
- ③0 PFL (Pre-fader listen) switch
- ③1 EFFECT 1/2 RTN fader

• Graphic equalizer Section



- ③2 Graphic equalizer
- ③3 ON switch

• Power amp Section

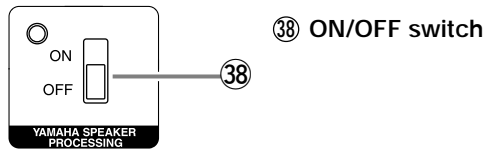


- ③4 LIMITER indicator
- ③5 Power amp select switch
- ③6 Maximum output select switch

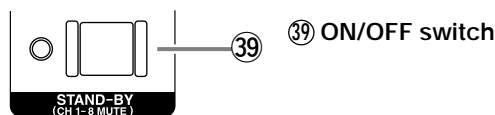
• POWER indicator



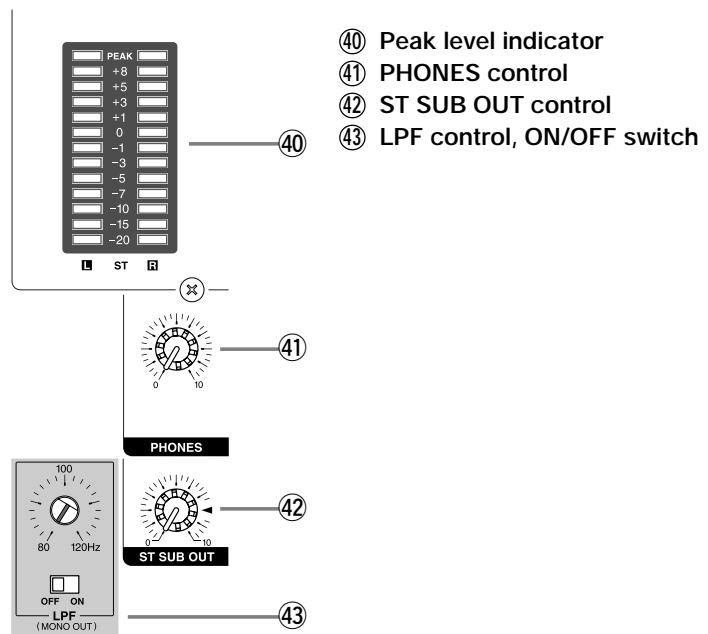
• YAMAHA SPEAKER PROCESSING



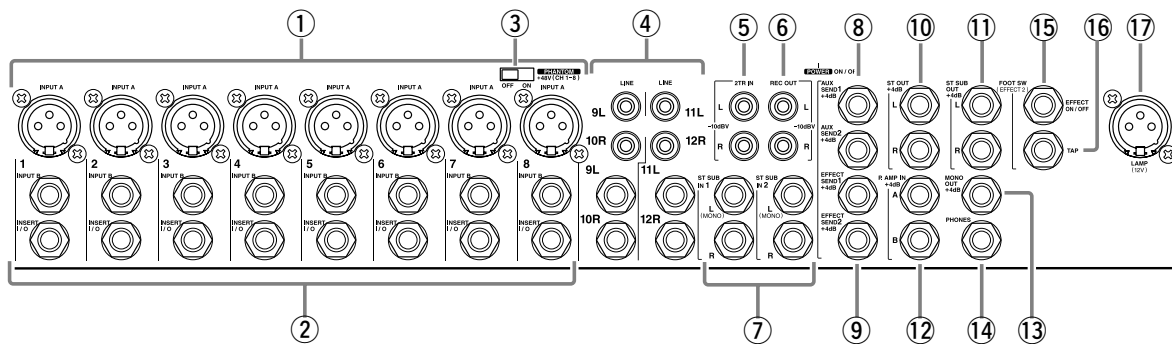
• STAND-BY



• Other indicators and controls

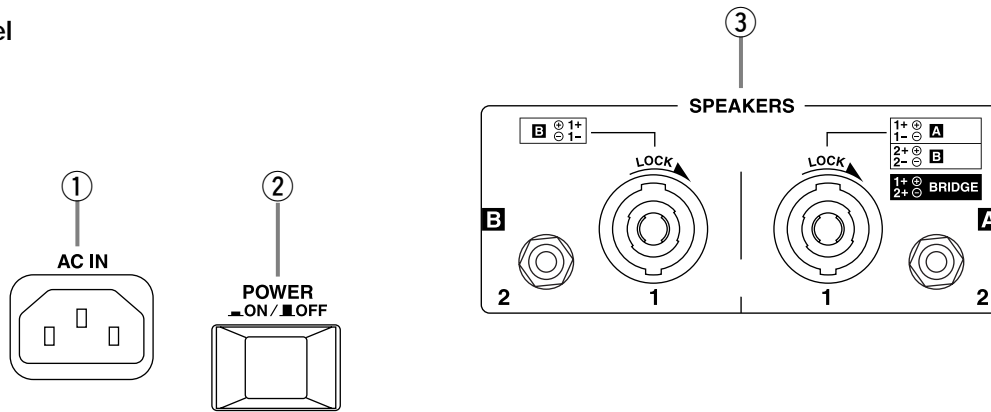


• Input/Output pabel



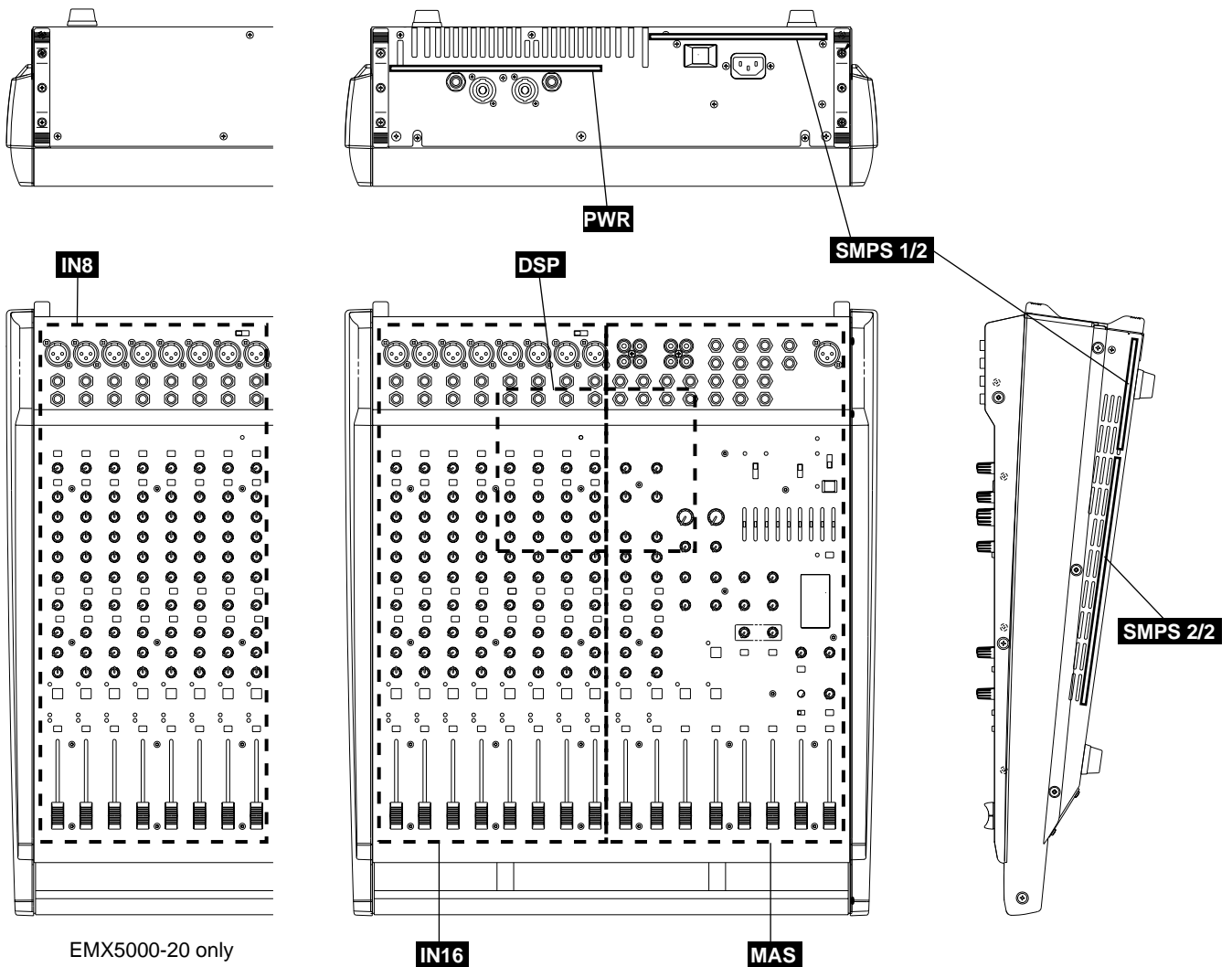
- ① Channel input jacks (INPUT A, INPUT B)
EMX5000-20: 1-16, EMX5000-12: 1-8
- ② INSERT I/O (insert) jacks
- ③ PHANTOM switch
- ④ LINE (stereo) input jacks
EMX5000-20: 17/18-19/20,
EMX5000-12: 9/10-11/12
- ⑤ 2TR IN jacks
- ⑥ REC OUT jacks
- ⑦ ST SUB IN 1 (stereo sub 1) jacks
ST SUB IN 2 (stereo sub 2) jacks
- ⑧ AUX SEND 1 jack, AUX SEND 2 jack
- ⑨ EFFECT SEND 1 jack, EFFECT SEND 2 jack
- ⑩ ST OUT jacks
- ⑪ ST SUB OUT jacks
- ⑫ P.AMP IN A, B (power amp input) jacks
- ⑬ MONO OUT jack
- ⑭ PHONES jack
- ⑮ FOOT SW EFFECT 2 ON/OFF jack
- ⑯ FOOT SW (EFFECT 2) TAP jack
- ⑰ LAMP jack

• Rear panel

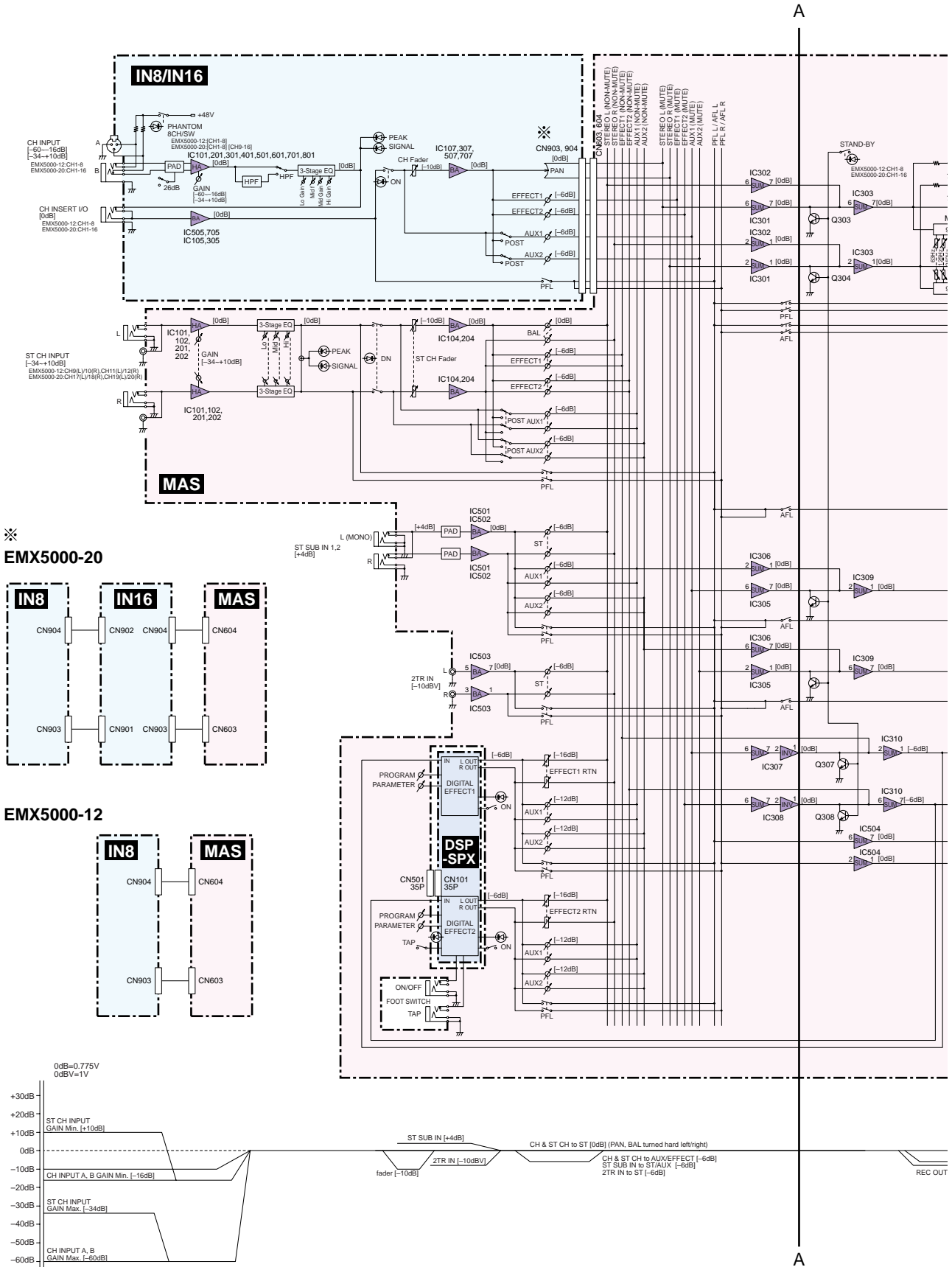


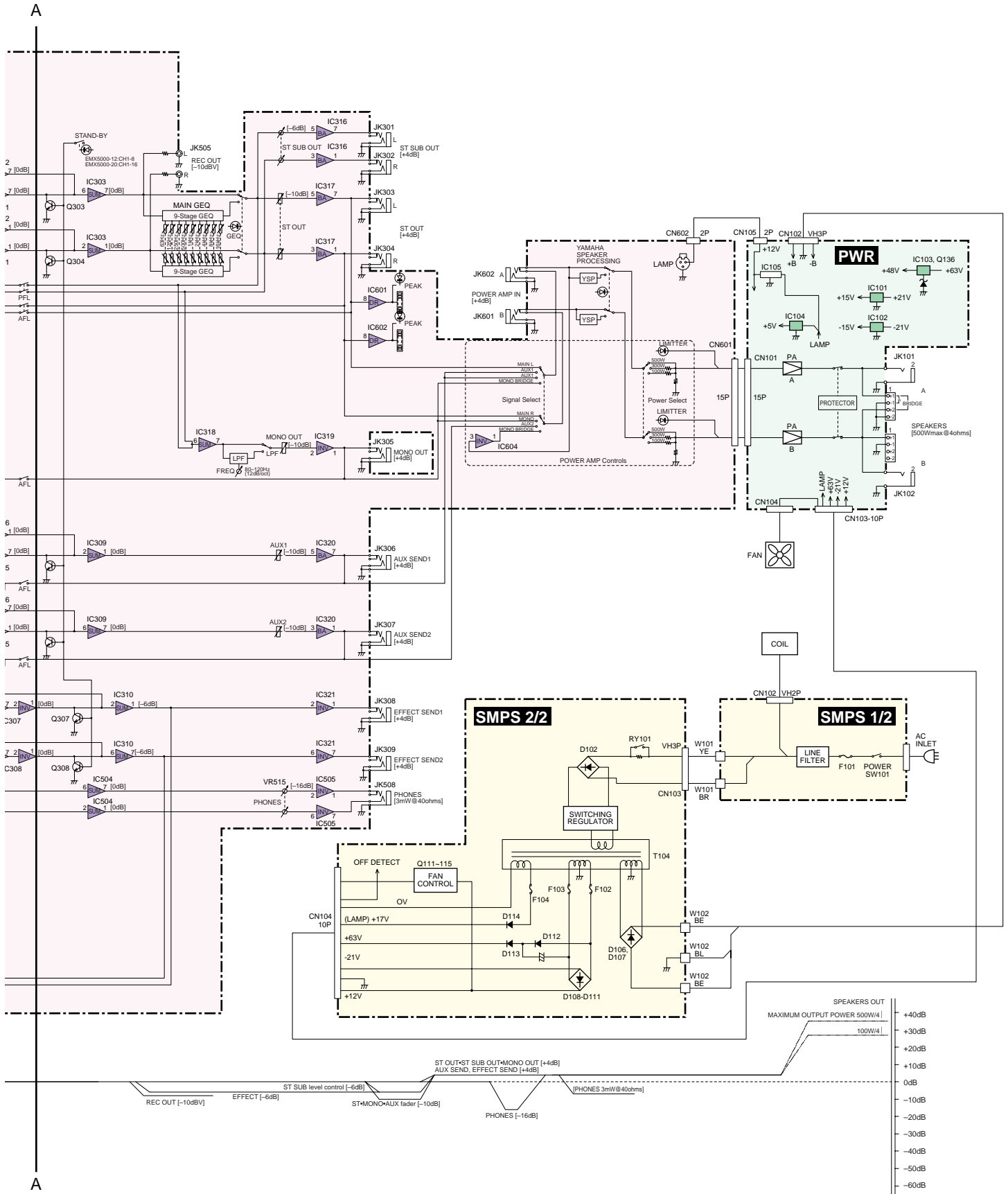
- ① AC inlet
- ② POWER switch
- ③ SPEAKERS (speaker output) jacks

■ CIRCUIT BOARD LAYOUT

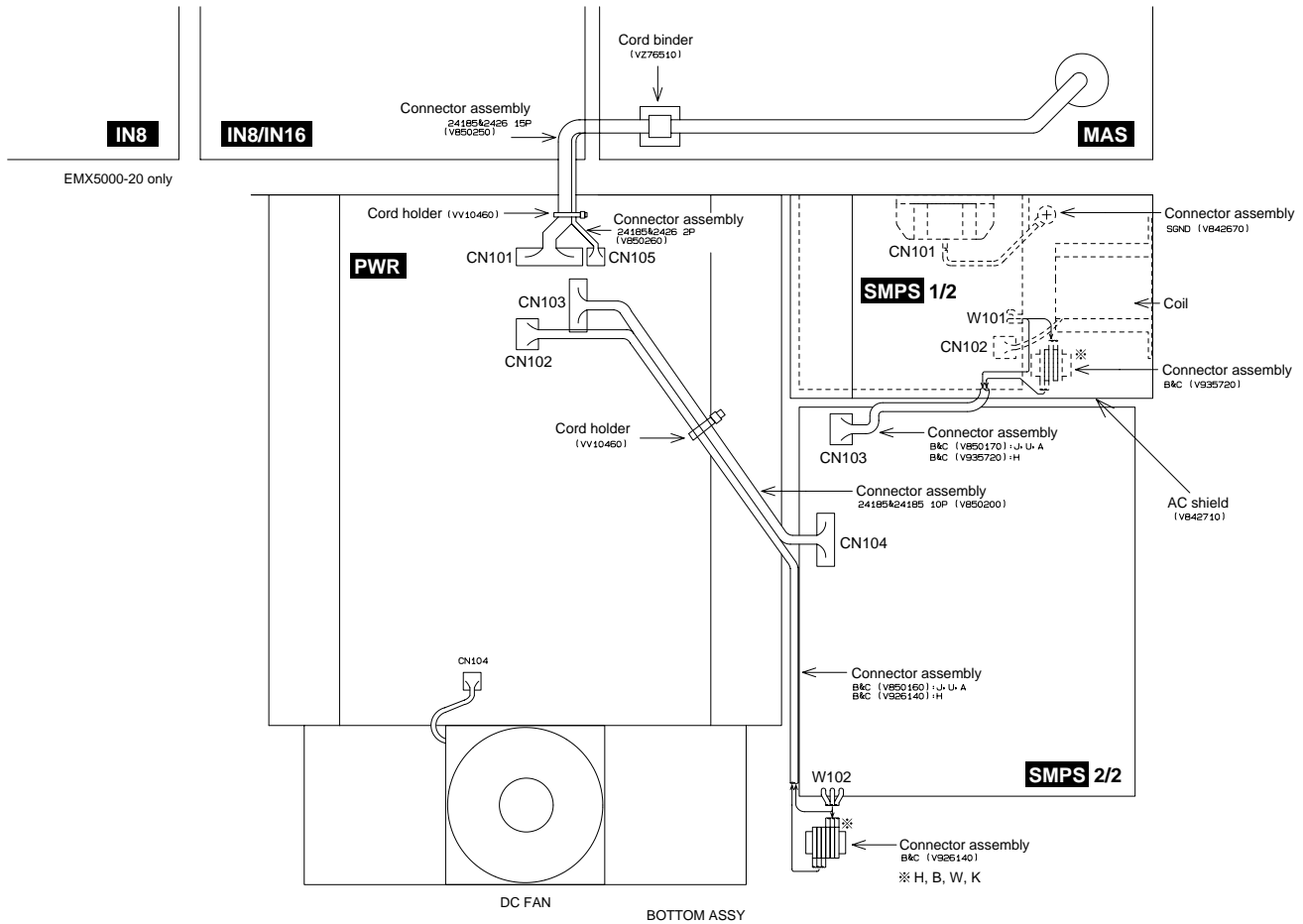


BLOCK & LEVEL DIAGRAM

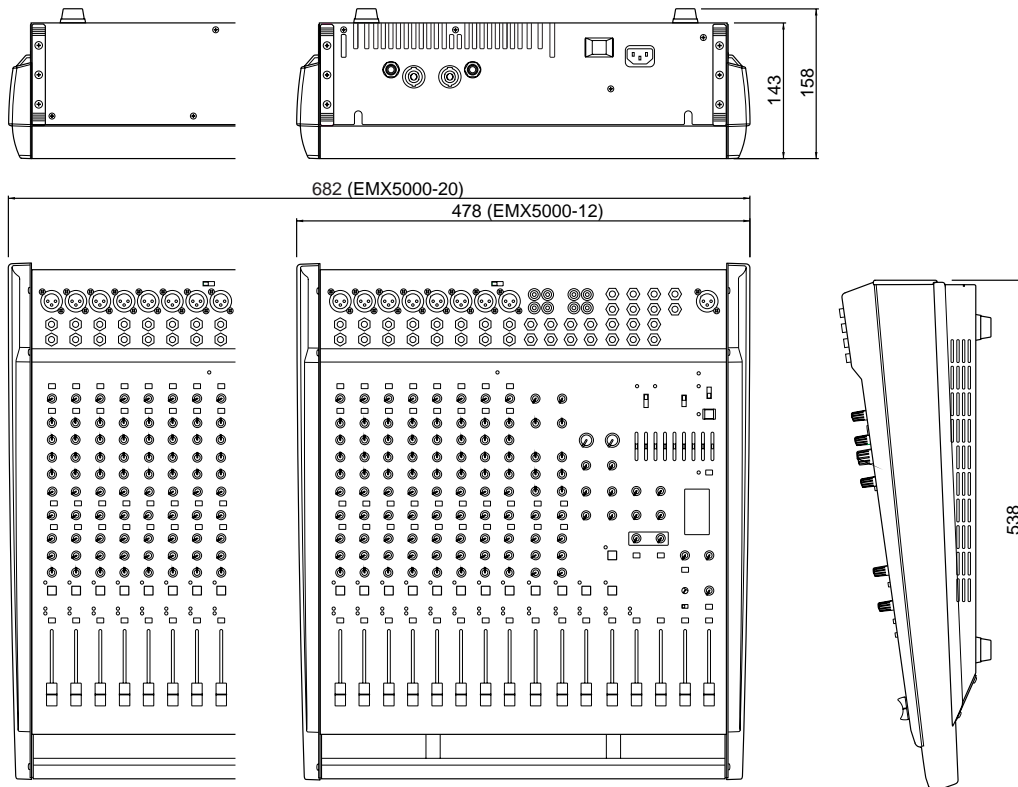




WIRING



DIMENSIONS



Units: mm

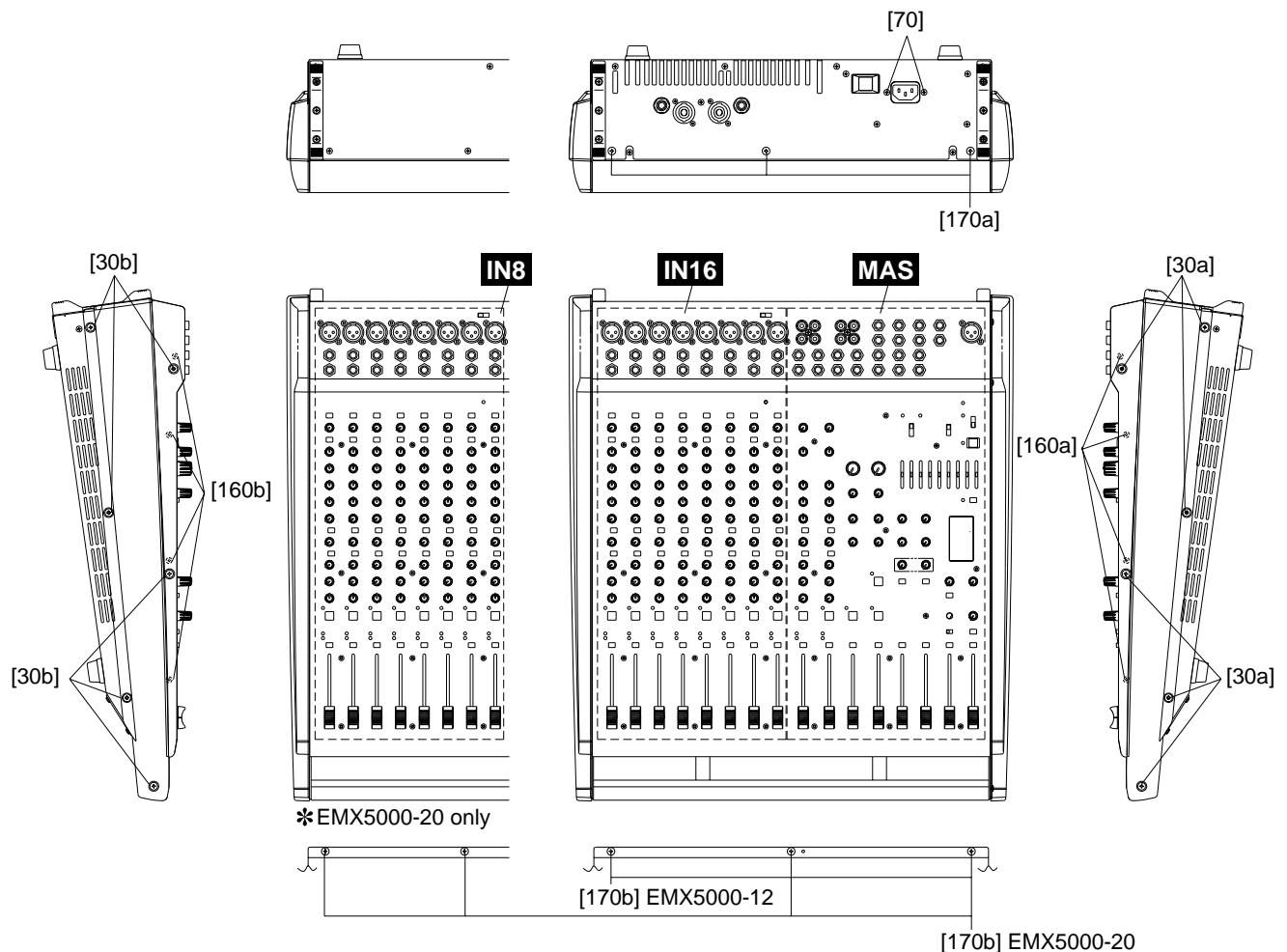
DISASSEMBLY PROCEDURE

1. Panel Assembly (Time required: about 5 minutes)

- 1-1. Remove the six (6) screws marked [30a] and six (6) screws marked [30b], and then remove the side pads R and L. (Fig. 1)
- 1-2. Remove the four (4) screws marked [160a], four (4) screws marked [160b], three (3) screws marked [170a] and four (4) screws marked [170b] (three (3) for EMX5000-12), Then lift the front end of the panel assembly, turn it about 45° and remove the panel assembly by releasing it from the claws on its side. (Fig. 1)



This mark urges servicemen to pay attention.



- [30]: Bind Head Tapping Screw-B 4.0X8 MFZN2BL (EG340190)
 [70]: Bind Head Tapping Screw-B 3.0X12 MFZN2BL (VQ074600)
 [160]: Bind Head Tapping Screw-B 3.0X6 MFZN2BL (EP600230)
 [170]: Bonding Tapping Screw-B 4.0X8 MFZN2BL (VR779900)

Fig.1

2. Coil (Time required: about 6 minutes)

- 2-1. Remove the panel assembly. (See Procedure 1.)
- 2-2. After removing the two (2) screws marked [B250], remove the harness and then the coil. (Fig. 2)

3. DC fan (Time required: about 7 minutes)

- 3-1. Remove the panel assembly. (See Procedure 1.)
- 3-2. Remove the two (2) screws marked [B120] and connector. The DC fan can then be removed. (Fig. 2)

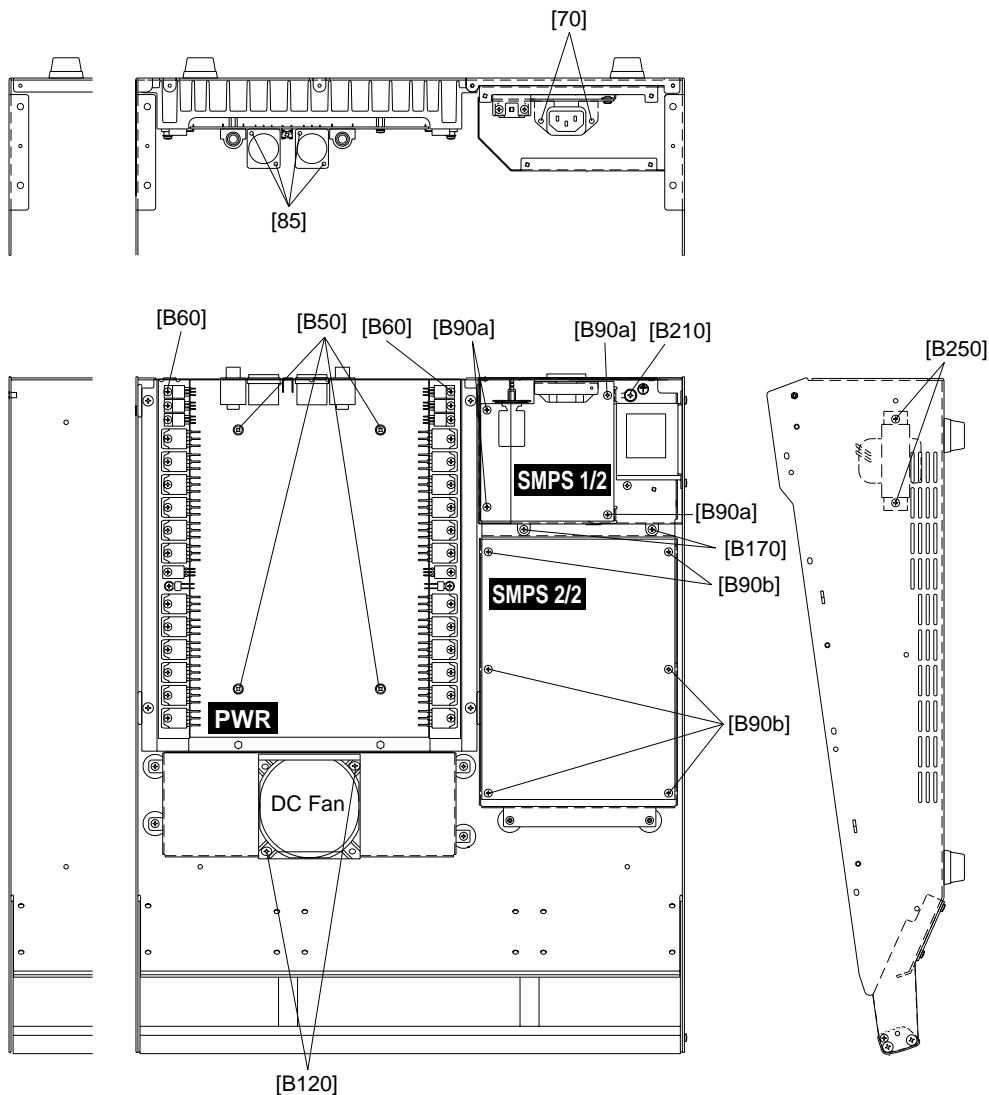


Fig.2

- [B50]: Bind Head Screw SP 3.0X8 MFZN2Y (EG330290)
- [B60]: Pan Head Screw SPK 3.0X12 MFZN2Y (VJ470900)
- [70]: Bind Head Tapping Screw-B 3.0X12 MFZN2BL (VQ074600)
- [B90]: Bind Head Tapping Screw-B 3.0X6 MFZN2BL (EP600230)
- [B120]: Bind Head Tapping Screw-B 4.0X10 MFZN2BL (EP600240)
- [B170]: Bind Head Tapping Screw-B 3.0X6 MFZN2BL (EP600230)
- [B210]: Bind Head Screw A4.0X6 MFZN2BL (EG340290)
- [B250]: Bind Head Tapping Screw-B 3.0X6 MFZN2BL (EP600230)

4. DSP Circuit Board

(Time required: about 12 minutes)

- 4-1. Remove the panel assembly. (See Procedure 1.)
- 4-2. Remove the four (4) DSP circuit board fixing screws marked [P220], disconnect the card wire connected to the connector. The DSP circuit board can then be removed. (Fig. 3)

5. MAS Circuit Board

(Time required: about 30 minutes)

- 5-1. Remove the panel assembly. (See Procedure 1.)
- 5-2. Remove the DSP circuit board. (See Procedure 4.)
- 5-3. Disconnect the two (2) harnesses connected to the connector assembly fixture marked [P240] on the main shield plate and remove the six (6) screws marked [B90]. The main shield plate can then be removed. (Fig. 3)
- 5-4. Remove the two (2) LAMP holder fixing screws marked [P70a], two (2) pin connector fixing screws marked [P70b], twenty-two (22) horn connector fixing hexagonal nuts, knobs (thirty-three (33) big ones, two (29) small ones and eight (8) fader knobs) and eleven (11) hexagon socket head screws marked [P60a] and three (3) hexagon socket head screws marked [P38a]. The MAS circuit board can then be removed. (Fig. 4)

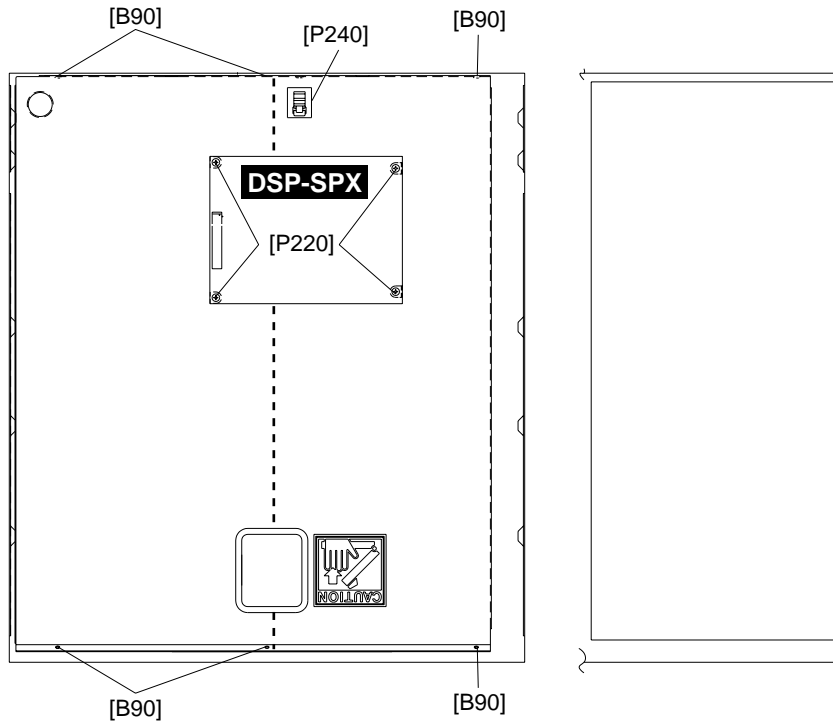
6. IN8/IN16 Circuit Board: CH1-8 / EMX5000-12, CH9-18 / EMX5000-20 (Time required: about 40 minutes)

- 6-1. Remove the panel assembly. (See Procedure 1.)
- 6-2. Remove the DSP circuit board. (See Procedure 4.)
- 6-3. Remove the main shield plate. (See Procedure 5-3.)
- 6-4. Remove the sixteen (16) cannon connector fixing screws marked [P70c], sixteen (16) horn connector fixing hexagonal nuts, knobs (eighty (80) small ones and eight (8) fader knobs) and nine (9) hexagon socket head screws marked [P60b] and three (3) hexagon socket head screws marked [P38b]. The IN8/IN16 circuit board can then be removed. (Fig. 4)

7. IN8 Circuit Board: CH1-9 / EMX5000-20

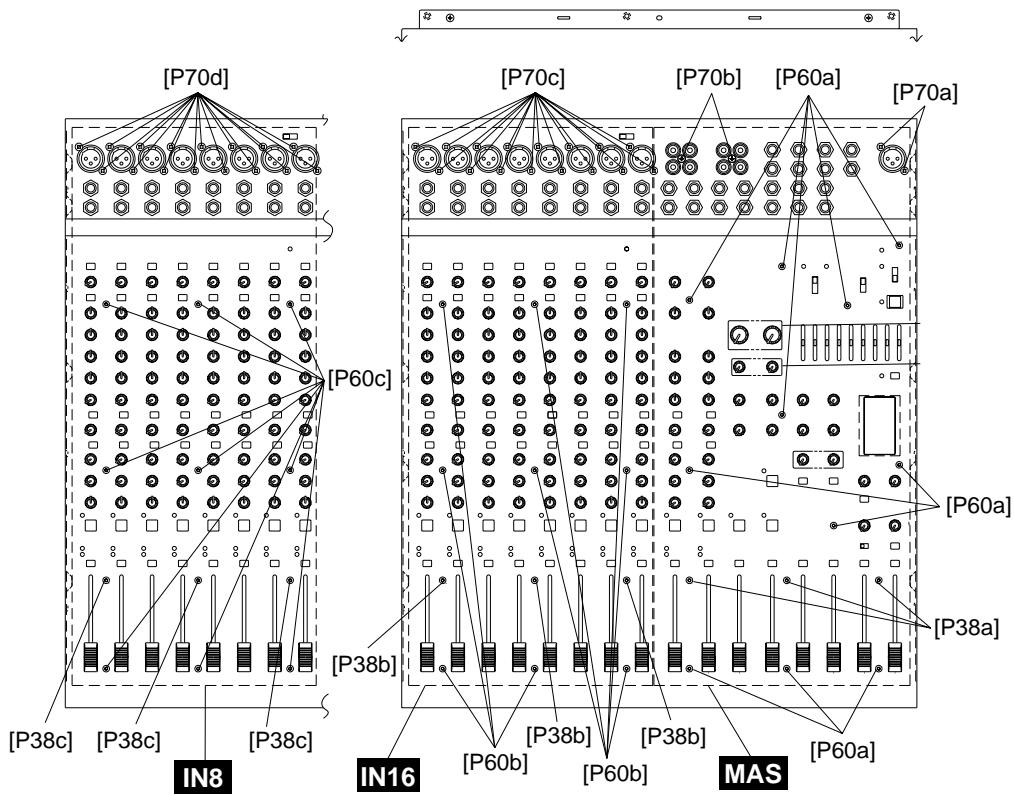
(Time required: about 35 minutes)

- 7-1. Remove the panel assembly. (See Procedure 1.)
- 7-2. Remove the sixteen (16) cannon connector fixing screws marked [P70d], sixteen (16) horn connector fixing hexagonal nuts, knobs (eighty (80) small ones and eight (8) fader knobs) and nine (9) hexagon socket head screws marked [60c] and three (3) hexagon socket head screws marked [P38c]. The IN8 circuit board can then be removed. (Fig. 4)



[B90]: Bind Head Tapping Screw-B 3.0X6 MFZN2BL (EP600230)

Fig.3



[P38]: Screw 3X6 MFZNBL (V9156000)

[P60]: Screw 3X25 MFZNBL (V3289800)

[P70]: Bonding Tapping Screw-B 3.0X8 MFZN2BL (VN413300)

Fig.4

8. PWR Circuit Board**(Time required: about 30 minutes)**

- 8-1. Remove the panel assembly. (See Procedure 1.)
- 8-2. Remove the thirty-four (34) transistor fixing screws marked [B60], four (4) PWR circuit board fixing screws marked [B50] from the PWR assembly, four (4) screws marked [85] and two (2) hexagonal nuts from the rear panel. The PWR circuit board can then be removed. (Fig. 2)

9. SMPS 1/2 Circuit Board**(Time required: about 15 minutes)**

- 9-1. Remove the panel assembly. (See Procedure 1.)
- 9-2. Remove the two (2) AC shield fixing screws marked [B170] and two (2) AC IN socket fixing screws marked [70] from the rear panel. The AC shield can then be removed.
- 9-3. Remove the four (4) SMPS 1/2 circuit board fixing screws marked [B90a] and one (1) ground cable fixing screw marked [B210]. (Fig. 2)
- 9-4. Remove the PSW knob from the rear panel and PSW escussion (using full care not to break the claw of the PSW escussion). The SMPS 1/2 circuit board can then be removed. (Fig. 2)

10. SMPS 2/2 Circuit Board**(Time required: about 7 minutes)**

- 10-1. Remove the panel assembly. (See Procedure 1.)
- 10-2. Remove the six (6) SMPS 2/2 circuit board fixing screws marked [B90b], harness connected to the PWR circuit board and two (2) harnesses from the SMPS 1/2 circuit board. The SMPS 2/2 circuit board can then be removed. (Fig. 2)

LSI PIN DESCRIPTION

● YSS910-S (XV988A00) DSP6 (Digital Signal Processor)

DSP-SPX: IC112

PIN NO.	NAME	I/O	FUNCTION	PIN NO.	NAME	I/O	FUNCTION
1	Vdd		Power supply (3.3 V)	89	Vss		Ground
2	Vss		Ground	90	DB13	I/O	Ground
3	XI	I	System master clock input (60 MHz or 30 MHz)	91	DB14	I/O	
4	XO	O	System master clock output (High or 30 MHz)	92	DB15	I/O	
5	Vdd		Power supply (5 V)	93	DB16	I/O	Parallel data bus
6	/SYNCl	I	Sync. signal input	94	DB17	I/O	
7	/SYNCO	O	Sync. signal output	95	DB18	I/O	
8	Vdd		Power supply (5 V)	96	DB19	I/O	
9	CKI	I	System clock input (30 MHz)	97	DB20	I/O	
10	CKO	O	System clock output (30 MHz)	98	DB21	I/O	Ground
11	CKSEL	I	System master clock select (0: 60 MHz, 1: 30 MHz)	99	DB22	I/O	
12	Vss		Ground	100	Vss		Ground
13	MCKS	I	Serial I/O master clock input (128 x Fs)	101	Vdd		Power supply (3.3 V)
14	/SSYNCl	I	Serial I/O Sync. signal output	102	DB23	I/O	Parallel data bus
15	/IC	I	Initial clear	103	DB24	I/O	
16	/TEST	I	Test mode setting (0: Test, 1: Normal)	104	DB25	I/O	
17	BTYP	I	Data bus type select (0: 8 bit, 1: 16 bit)	105	DB26	I/O	Parallel data bus
18	/IRQ	O	IRQ output	106	DB27	I/O	
19	TRIG	I/O	Trigger signal input/output	107	DB28	I/O	Parallel data bus
20	Vdd		Power supply (5 V)	108	DB29	I/O	
21	Vss		Ground	109	DB30	I/O	Parallel data bus
22	/CS	I	chip select signal input	110	DB31	I/O	
23	/WR	I	Write signal input	111	TIMO/DBOB	I/O	Timing signal output/ Parallel data bus output/ input
24	/RD	I	Read signal input	112	Vss		Ground
25	CA7	I/O	Address bus of internal register	113	Vdd		Power supply (5 V)
26	CA6	I/O					
27	CA5	I/O					
28	CA4	I/O					
29	CA3	I/O					
30	CA2	I/O					
31	CA1	I/O	Memory data bus	114	DA00	I/O	
32	Vss			Ground	115	DA01	I/O
33	Vdd		Power supply (3.3 V)	116	DA02	I/O	Memory data bus
34	CD15	I/O	Data bus of internal register	117	DA03	I/O	
35	CD14	I/O					
36	CD13	I/O					
37	CD12	I/O					
38	CD11	I/O					
39	CD10	I/O					
40	CD09	I/O	Memory data bus	118	DA04	I/O	
41	CD08	I/O					
42	CD07	I/O	Memory data bus	119	DA05	I/O	
43	CD06	I/O					
44	Vss		Ground	120	DA06	I/O	Memory data bus
45	Vdd		Power supply (3.3 V)	121	DA07	I/O	
46	Vdd		Power supply (5 V)	122	Vss		Ground
47	CD05	I/O	Data bus of internal register	123	DA08	I/O	Memory data bus
48	CD04	I/O					
49	CD03	I/O					
50	CD02	I/O					
51	CD01	I/O					
52	CD00	I/O					
53	/WAIT	O	WAIT output	124	DA09	I/O	Memory data bus
54	Vss		Ground	125	DA10	I/O	
55	SI0	I	Serial data input	126	DA11	I/O	Memory data bus
56	SI1	I					
57	SI2	I					
58	SI3	I					
59	SI4	I					
60	SI5	I					
61	SI6	I	Memory data bus	127	DA12	I/O	
62	SI7	I					
63	Vss		Ground	128	DA13	I/O	Memory data bus
64	Vdd		Power supply (5 V)	129	DA14	I/O	
65	SO0	O	Serial data output	130	DA15	I/O	Memory data bus
66	SO1	O					
67	SO2	O					
68	SO3	O					
69	SO4	O					
70	SO5	O					
71	SO6	O	Memory data bus	131	Vss		
72	SO7	O					
73	Vss		Ground	132	Vdd		Power supply (3.3 V)
74	DB00	I/O	Parallel data bus	133	(n.c)		Not used
75	DB01	I/O					
76	DB02	I/O					
77	DB03	I/O					
78	DB04	I/O					
79	DB05	I/O					
80	DB06	I/O	Memory data bus	134	Vdd		Power supply (5 V)
81	DB07	I/O					
82	DB08	I/O	Memory data bus	135	DA16	I/O	
83	DB09	I/O					
84	DB10	I/O	Memory data bus	136	DA17	I/O	
85	DB11	I/O					
86	DB12	I/O	Memory data bus	137	DA18	I/O	
87	Vdd			Power supply (5 V)	138	DA19	I/O
88	Vdd		Power supply (3.3 V)	139	DA20	I/O	Memory data bus
				140	DA21	I/O	
				141	DA22	I/O	Memory data bus
				142	DA23	I/O	
				143	Vss		Ground
				144	DA24	I/O	Memory data bus
				145	DA25	I/O	
				146	DA26	I/O	Memory data bus
				147	DA27	I/O	
				148	DA28	I/O	Memory data bus
				149	DA29	I/O	
				150	DA30	I/O	Memory data bus
				151	DA31	I/O	
				152	Vdd		Power supply (5 V)
				153	Vss		Ground
				154	A00	O	Memory address (SRAM, PSRAM, DRAM)
				155	A01	O	
				156	A02	O	Memory address (SRAM, PSRAM, DRAM)
				157	A03	O	
				158	A04	O	Memory address (SRAM, PSRAM, DRAM)
				159	A05	O	
				160	A06	O	Memory address (SRAM, PSRAM, DRAM)
				161	A07	O	
				162	A08	O	Memory address (SRAM, PSRAM, DRAM)
				163	A09	O	
				164	Vss		Ground
				165	Vdd		Power supply (3.3 V)
				166	A10	O	Memory address (SRAM, PSRAM, DRAM)
				167	A11	O	
				168	A12	O	Memory address (SRAM, PSRAM)
				169	A13	O	
				170	A14	O	Memory address (SRAM, PSRAM)
				171	A15/RAS	O	
				172	A16/CAS	O	Memory address (SRAM, PSRAM), /RAS (DRAM)
				173	A17/CE	O	
				174	/WE	O	Memory write enable signal
				175	/OE	O	Memory output enable signal
				176	Vdd		Power supply (5 V)

• YM3436DK (XG948E0) DIR2 (Digital Format Interface Receiver)

DSP-SPX: IC103

PIN NO.	NAME	I/O	FUNCTION	PIN NO.	NAME	I/O	FUNCTION
1	DAUX	I	Auxiliary input for audio data	23	RSTN	I	System reset input
2	HDLT	O	Asynchronous buffer operation flag	24	Vdda		VCO section power (+5V)
3	DOUT	O	Audio data output	25	CTLN	I	VCO control input N
4	VFL	O	Parity flag output	26	PCO	O	PLL phase comparison output
5	OPT	O	Fs x 1 Synchronous output signal for DAC	27	(NC)		
6	SYNC	O	Fs x 1 Synchronous output signal for DSP	28	CTLP	I	VCO control input P
7	MCC	O	Fs x 64 Bit clock output	29	Vssa		VCO section power (GND)
8	WC	O	Fs x 1 Word clock output	30	TSTN	I	Test terminal. Open for normal use
9	MCB	O	Fs x 128 Bit clock output	31	KM2	I	Clock mode switching input 2
10	MCA	O	Fs x 256 Bit clock output	32	KM0	I	Clock mode switching input 0
11	SKSY	I	Clock synchronization control input	33	FS1	O	Channel status sampling frequency display output 1
12	XI	I	Crystal oscillator connection or external clock input	34	FS0	O	Channel status sampling frequency display output 0
13	XO	O	Crystal oscillator connection	35	CSM	I	Channel status output method selection
14	P256	O	VCO oscillating clock connection	36	EXTW	I	External synchronous auxiliary input word clock
15	LOCK	O	PLL lock flag	37	DDIN	I	EIAJ (AES/EBU) data input
16	Vss		Logic section power (GND)	38	LR	O	PLL word clock output
17	TC	O	PLL time constant switching output	39	Vdd		Logic section power (+5 V)
18	DIM1	I	Data input mode selection	40	ERR	O	Data error flag output
19	DIM0	I	Data input mode selection	41	EMP	O	Channel status emphasis control code output
20	DOM1	I	Data output mode selection	42	CD0	O	3-wire type microcomputer interface data output
21	DOM0	I	Data output mode selection	43	CCK	I	3-wire type microcomputer interface clock input
22	KM1	I	Clock mode switching input 1	44	CLD	I	3-wire type microcomputer interface load input

• AK4522VF-E2 (XW008A00) CODEC (CMOS A/D & D/A Converter)

DSP-SPX: IC108, IC308

PIN NO.	NAME	I/O	FUNCTION	PIN NO.	NAME	I/O	FUNCTION	
1	VREFH	I	Positive voltage reference input , VA Used as a positive voltage reference by ADC & DAC, VREFH is conne externally to filtered VA.	13	SDTO	O	Audio serial data output	
2	AINR+	I	Rch analog positive input	14	SMUTE	I	Soft mute When this pin goes "H", soft mute cycle is initiated. When returning "L", the output mute releases.	
3	AINR-	I	Rch analog negative input	15	DEM0	I	} De-emphasis frequency select	
4	AINL+	I	Lch analog positive input	16	DEM1	I		
5	AINL-	I	Lch analog negative input	17	MCKI	I		Master clock Input/X'tal input
6	VA	-	Analog power supply	18	VD	-	Digital power supply	
7	AGND	-	Analog ground	19	DGND	-	Digital ground	
8	DIF0	I	} Audio data interface format	20	/PD	I	Reset	
9	DIF1	I			21	CMODE	I	Master clock select (Internal biased pin) "H": 384fs, "L": 256fs, "NS": 512fs
10	LRCK	I		Input/Output channel clock	22	AOUTL	O	Lch analog output
11	SCLK	I	Audio serial data clock	23	AOUTR	O	Rch analog output	
12	SDTI	I	Audio serial data input	24	VCOM	O	Common voltage output , VA/2	

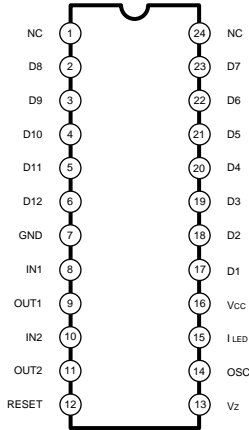
• M30622MCA-XXXFP (X2416A00) CPU

DSP-SPX: IC109

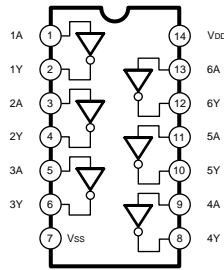
PIN NO.	NAME	I/O	FUNCTION	PIN NO.	NAME	I/O	FUNCTION	
1	P96/	I/O	This is an 8-bits I/O port.	48	P46/ $\overline{CS2}$	I/O/O	This is an 8-bits I/O port.	
2	P95/	I/O		49	P45/ $\overline{CS1}$	I/O/O		
3	P94/	I/O		50	P44/ $\overline{CS0}$	I/O/O		
4	P93/	I/O		51	P43/A19	I/O/O		
5	P92/	I/O		52	P42/A18	I/O/O		
6	P91/	I/O		53	P41/A17	I/O/O		
7	P90/	I/O		54	P40/A16	I/O/O		
8	BYTE	I	External data bus width select input.	55	P37/A15	I/O/O		Power supply 2.7V to 5.5V. This is an 8-bits I/O port. Power supply 0V.
9	CNVss	I	CNVss	56	P36/A14	I/O/O		
10	P87/XCIN	I/O	This is set using software to function as the I/O pins for a sub clock generation circuit.	57	P35/A13	I/O/O		
11	P86/XCOUT	I/O	This is set using software to function as the I/O pins for a sub clock generation circuit.	58	P34/A12	I/O/O		
12	\overline{RESET}	I	A "L" on this input resets the microcomputer.	59	P33/A11	I/O/O		
13	XOUT	O	Clock output	60	P32/A10	I/O/O		
14	Vss	I	Power supply 0V.	61	P31/A9	I/O/O		
15	XIN	I	Clock input	62	Vcc	I/O/O		
16	Vcc	I	Power supply 2.7V to 5.5V.	63	P30/A8(-/D7)	I/O/O		
17	P85/ \overline{NMI}	I	This is an input-only port that also functions for \overline{NMI} .	64	Vss	I/O/O		
18	P84/ $\overline{INT2}$	I/O	This is an 8-bits I/O port.	65	P27/A7(D7/D6)	I/O/O	This is an 8-bits I/O port.	
19	P83/ $\overline{INT1}$	I/O		66	P26/A6(D6/D5)	I/O/O		
20	P82/ $\overline{INT0}$	I/O		67	P25/A5(D5/D4)	I/O/O		
21	P81/TA4IN/U	I/O		68	P24/A4(D4/D3)	I/O/O		
22	P80/TA4IN/U	I/O		69	P23/A3(D3/D2)	I/O/O		
23	P77/TA3IN	I/O		70	P22/A2(D2/D1)	I/O/O		
24	P76/TA3OUT	I/O		71	P21/A1(D1/D0)	I/O/O		
25	P75/TA2IN/W	I/O		72	P20/A0(D0/-)	I/O/O		
26	P74/TA2OUT/W	I/O		73	P17/D15	I/O		
27	P73/TA1IN/V	I/O		74	P16/D14	I/O		
28	P72/CLK2/TA1OUT	I/O	75	P15/D13	I/O			
29	P71/RxD2	I/O	This is an 8-bits I/O port.	76	P14/D12	I/O		
30	P70/TxD2	I/O	This is N channel open-drain output. This is an 8-bits I/O port. This is N channel open-drain output.	77	P13/D11	I/O		
31	P67/TxD1	I/O	This is an 8-bits I/O port.	78	P12/D10	I/O	This is an 8-bits CMOS I/O port.	
32	P66/RxD1	I/O		79	P11/D9	I/O		
33	P65/CLK1	I/O		80	P10/D8	I/O		
34	P64/RTS1	I/O		81	P07/D7	I/O		
35	P63/TxD0	I/O		82	P06/D6	I/O		
36	P62/RxD0	I/O		83	P05/D5	I/O		
37	P61/CLK0	I/O		84	P04/D4	I/O		
38	P60/ $\overline{CTS0}$ / $\overline{RTS0}$	I/O		85	P03/D3	I/O		
39	P57/ \overline{RDY} /CLKOUT	I		While the input level at the \overline{RDY} pin is "L", the microcomputer is in the ready state.	86	P02/D2		I/O
40	P56/ALE	O		ALE output signal	87	P01/D1		I/O
41	P55/HOLD	I	While the input level at the HOLD pin is "L", the microcomputer is placed in the hold state.	88	P00/D0	I/O		
42	P54/ \overline{HLDA}	O	\overline{HLDA} output signal	89	P107/AN7/KI3	I/O	This is an 8-bits I/O port.	
43	P53/ \overline{BCLK}	O	\overline{BCLK} output signal	90	P106/AN6/KI2	I/O		
44	P52/ \overline{RD}	O	\overline{RD} output signal	91	P105/AN5/KI1	I/O		
45	P51/ \overline{WRH} / \overline{BHE}	O	\overline{WRH} and \overline{BHE} output signals	92	P104/AN4/KI0	I/O		
46	P50/ \overline{WRL} / \overline{WR}	O	\overline{WRL} and \overline{WR} output signals	93	P103/AN3	I/O		
47	P47/ $\overline{CS3}$	I/O/O	This is an 8-bits I/O port.	94	P102/AN2	I/O		
				95	P101/AN1	I/O		
				96	Avss	I/O		
				97	P100/AN0	I/O		
				98	VREF	I		
				99	Avcc	I/O		
				100	P97/TRG	I/O		

IC BLOCK DIAGRAM

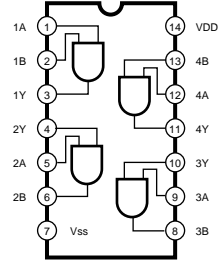
- **LB1412M (XT547A00)**
LED DRIVER
MAS: IC601, IC602



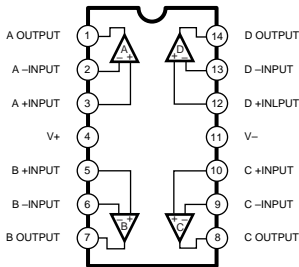
- **74HCU04DT (XZ110A00)**
INVERTER
DSP-SPX: IC104



- **74HC08DT (XZ108A00)**
AND
DSP-SPX: IC111

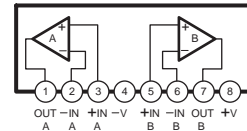


- **NJM2060(Te2) (XM560A00)**
OP AMP
MAS: IC311-315



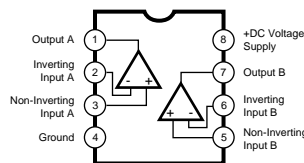
- **NJM2068MD-T1 (XJ553A00)**
OP AMP
IN8: IC101-105, IC107, IC201, IC301-305, IC307, IC401, IC501-505, IC507, IC601, IC701-705, IC707, IC801
DSP-SPX: IC105-107, IC305-307
MAS: IC101-104, IC201-204, IC301-310, IC318, IC501-504, IC603, IC701, IC702
20ch only
IN16: IC101-105, IC107, IC201, IC301-305, IC307, IC401, IC501-505, IC507, IC601, IC701-705, IC707, IC801

- **NJM4556AL (XP844A00)**
OP AMP
MAS: IC505

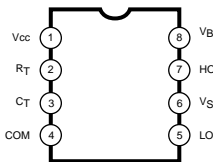


- **NJM4580ED (XT157A00)**
OP AMP
MAS: IC316, IC317, IC319-321

- **NJM4588M(T1) (IG103520)**
OP AMP
IN8: IC106, IC306, IC506, IC706
MAS: IC105, IC605, IC606
20ch only
IN16: IC106, IC306, IC506, IC706

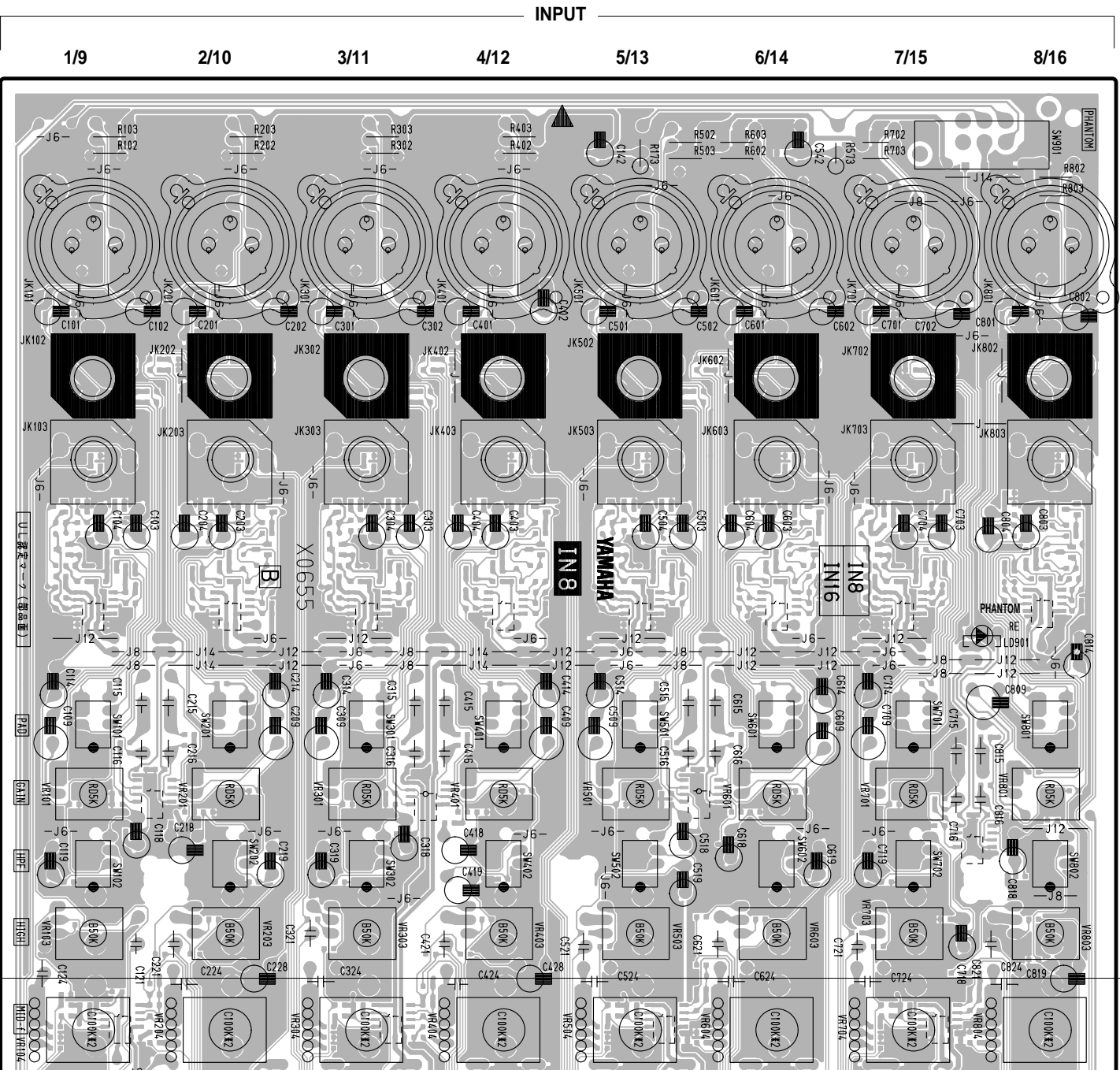


- **IR2153 (X2264A00)**
CONTROL IC
SMPS1/2,2/2: IC102



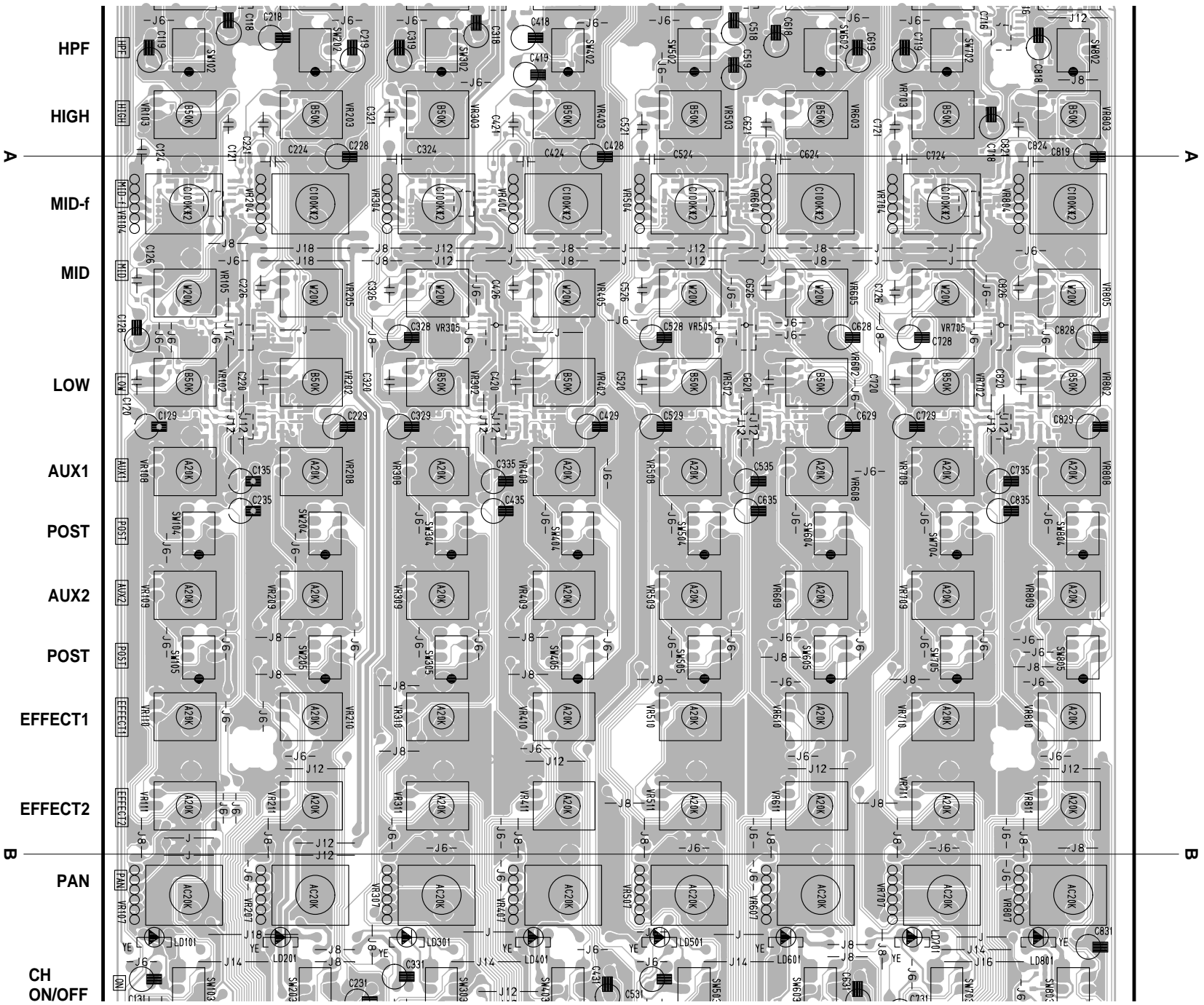
CIRCUIT BOARDS

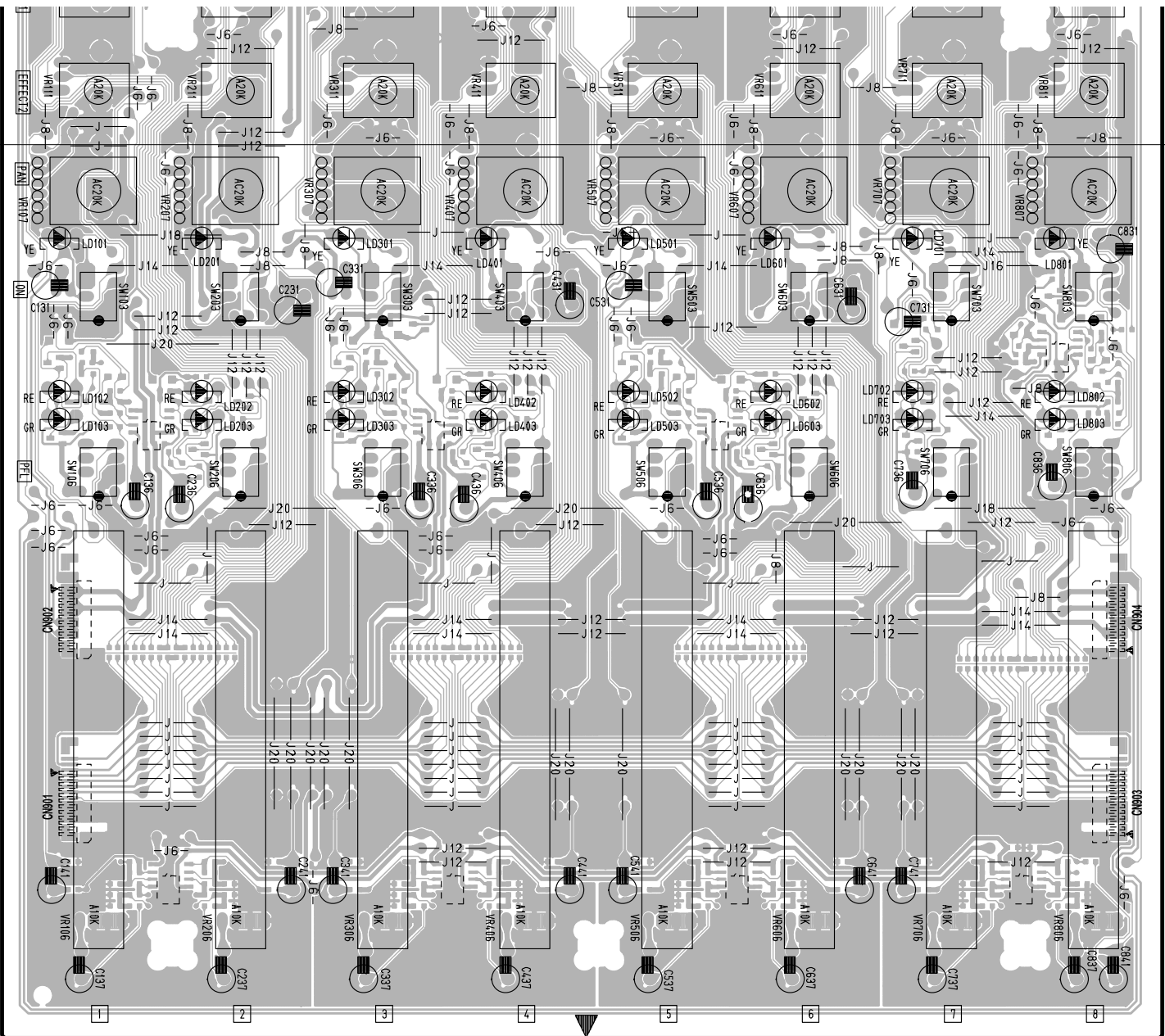
IN8/IN16 Circuit Board



Location No.	Model	IN16	IN8
CN901		install	not install
CN902		install	not install
CN903		install	install
CN904		install	install

IN8/IN16: 3NA-V826740





CN904:
 (EMX5000-20)
 to other IN8 CN902
 or MAS CN604
 (EMX5000-12)
 to MAS CN604

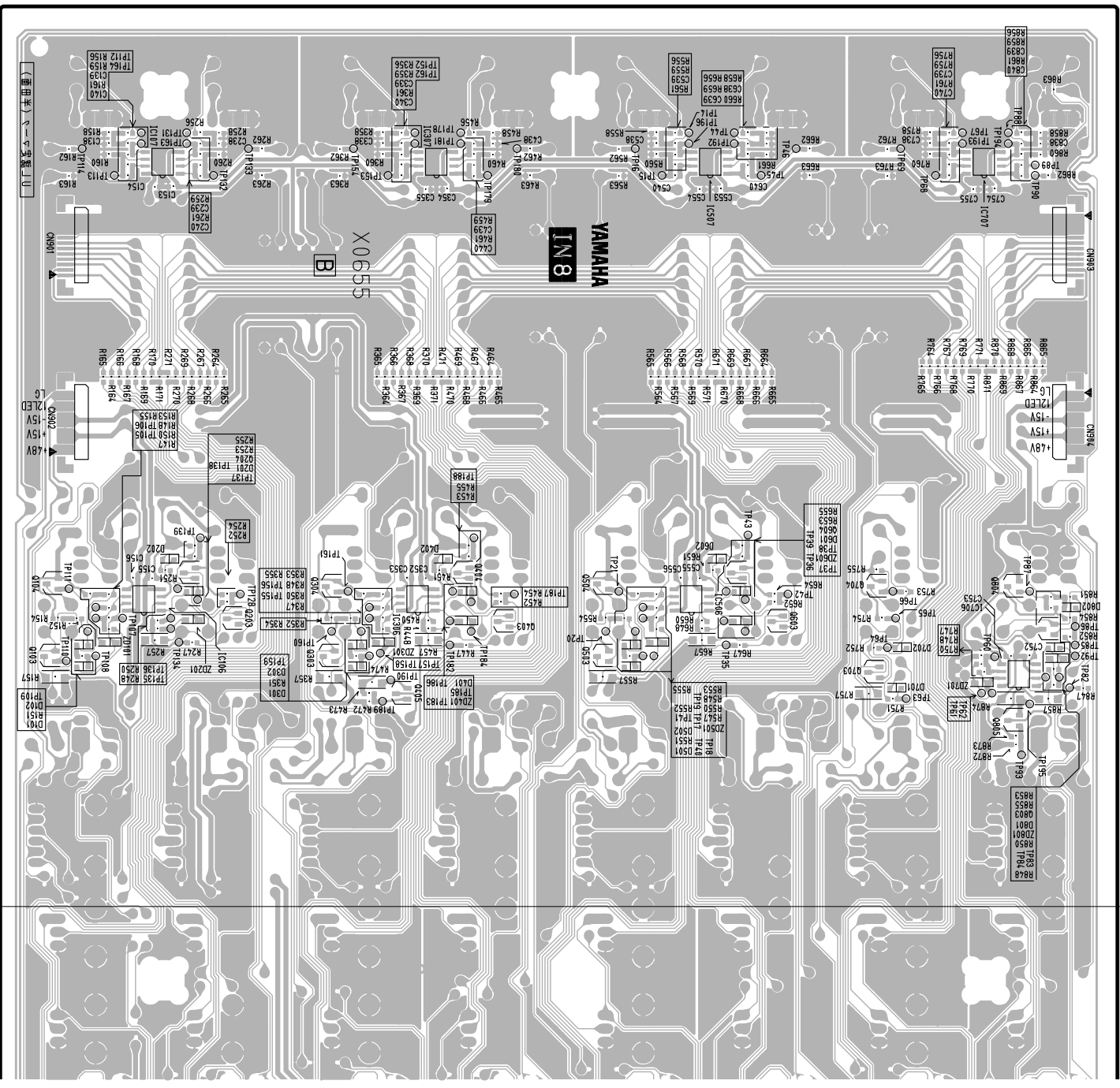
CN903:
 (EMX5000-20)
 to other IN8 CN901
 or MAS CN603
 (EMX5000-12)
 to MAS CN603

CN902:
 (EMX5000-20)
 from IN8
 (EMX5000-12)
 N.C.

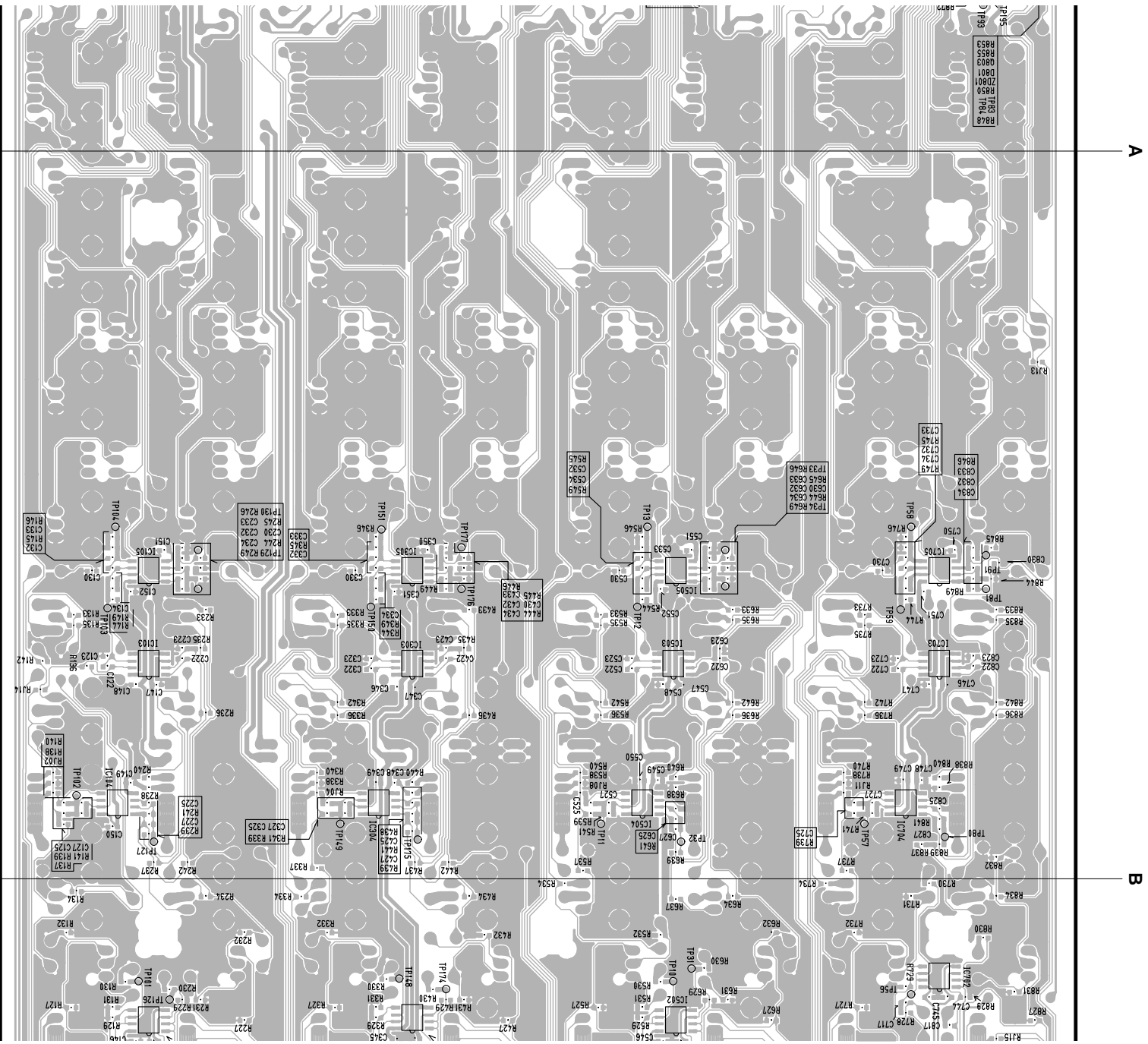
CN901:
 (EMX5000-26)
 from IN8
 (EMX5000-12)
 N.C.

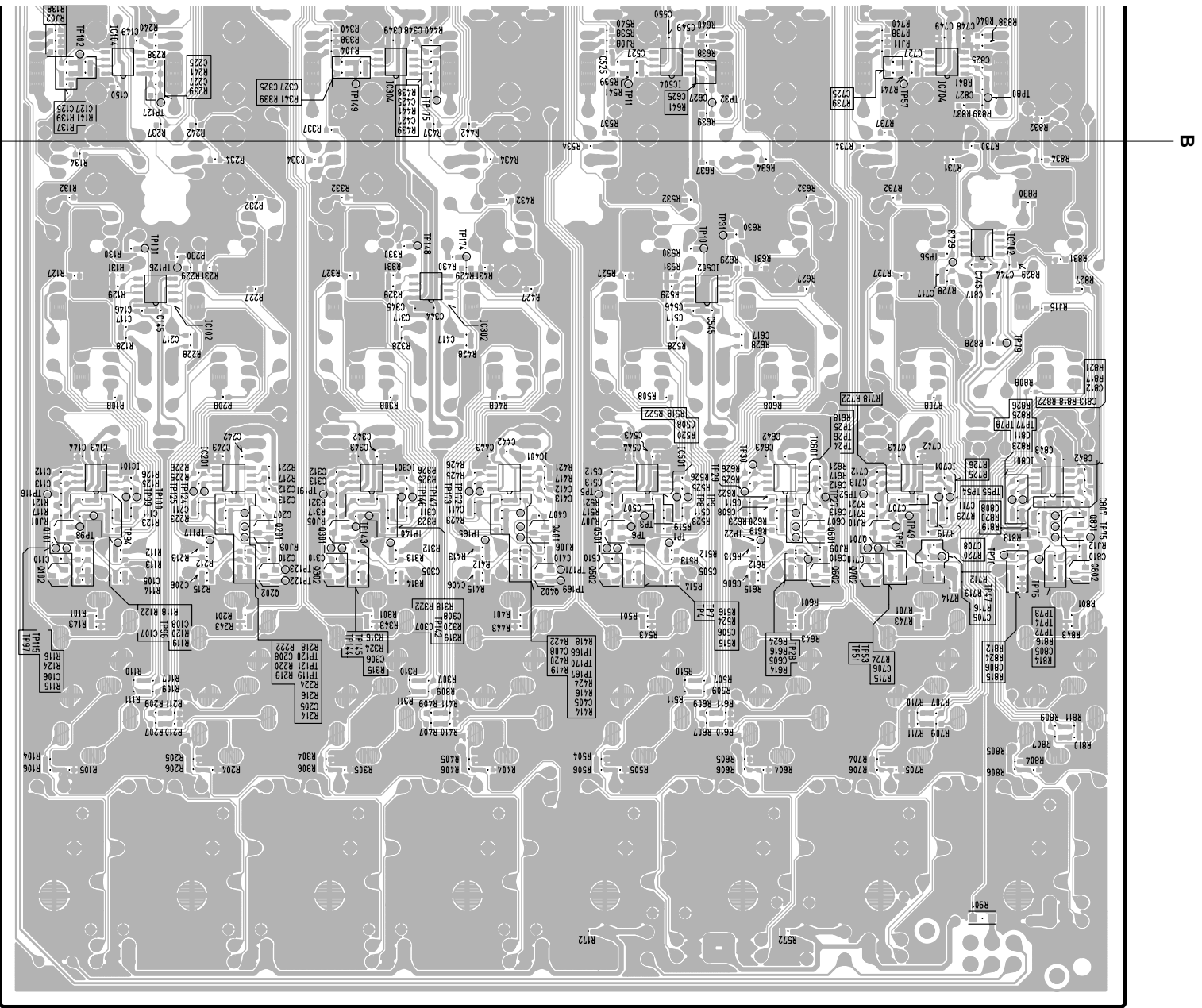
Component side

IN8/IN16: 3NA-V826740



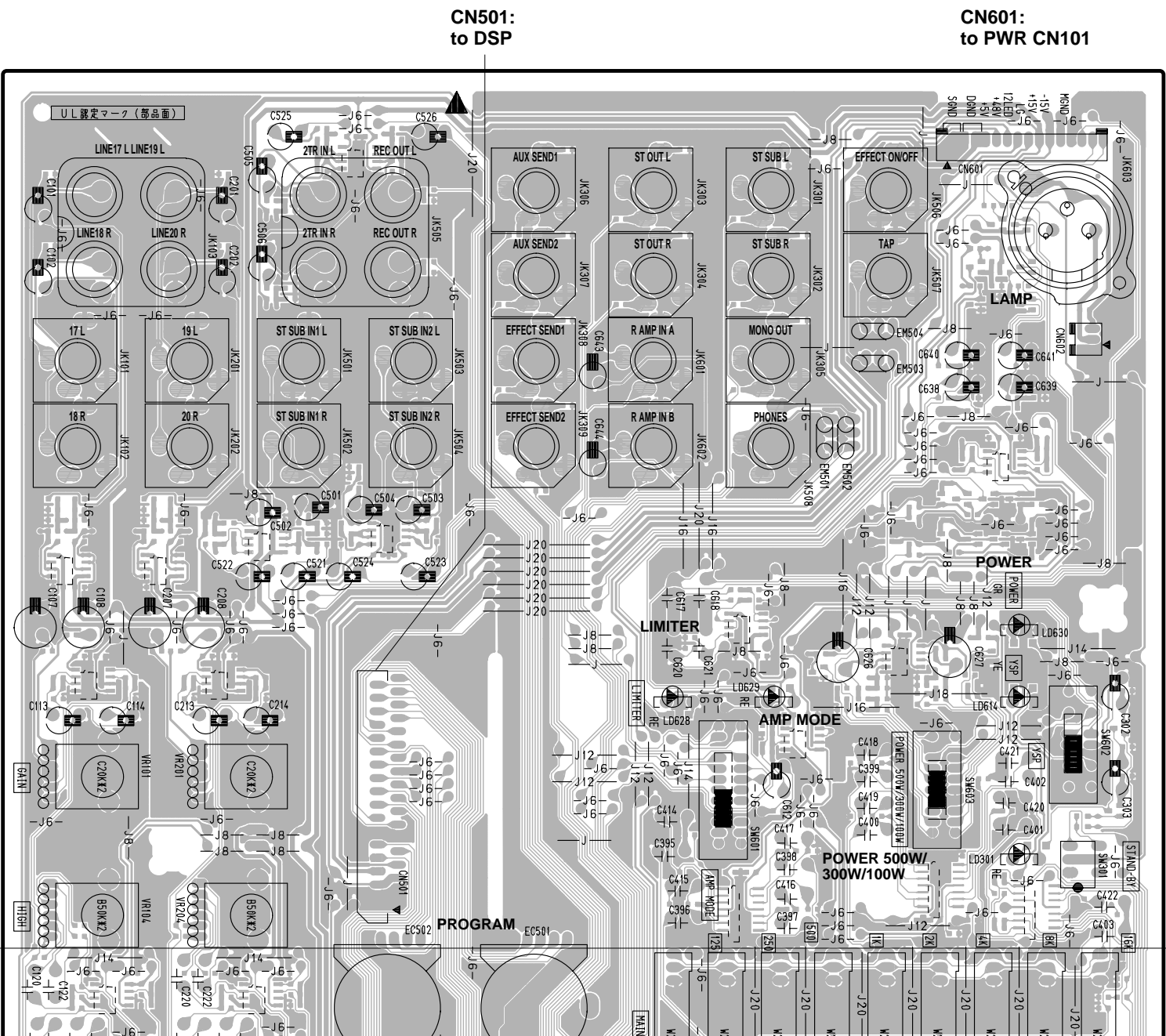
IN8/IN16: 3NA-V826740





Pattern side

• MAS Circuit Board



CN602:
to PWR CN105

YSP

STAND-BY

CN601:
to PWR CN101

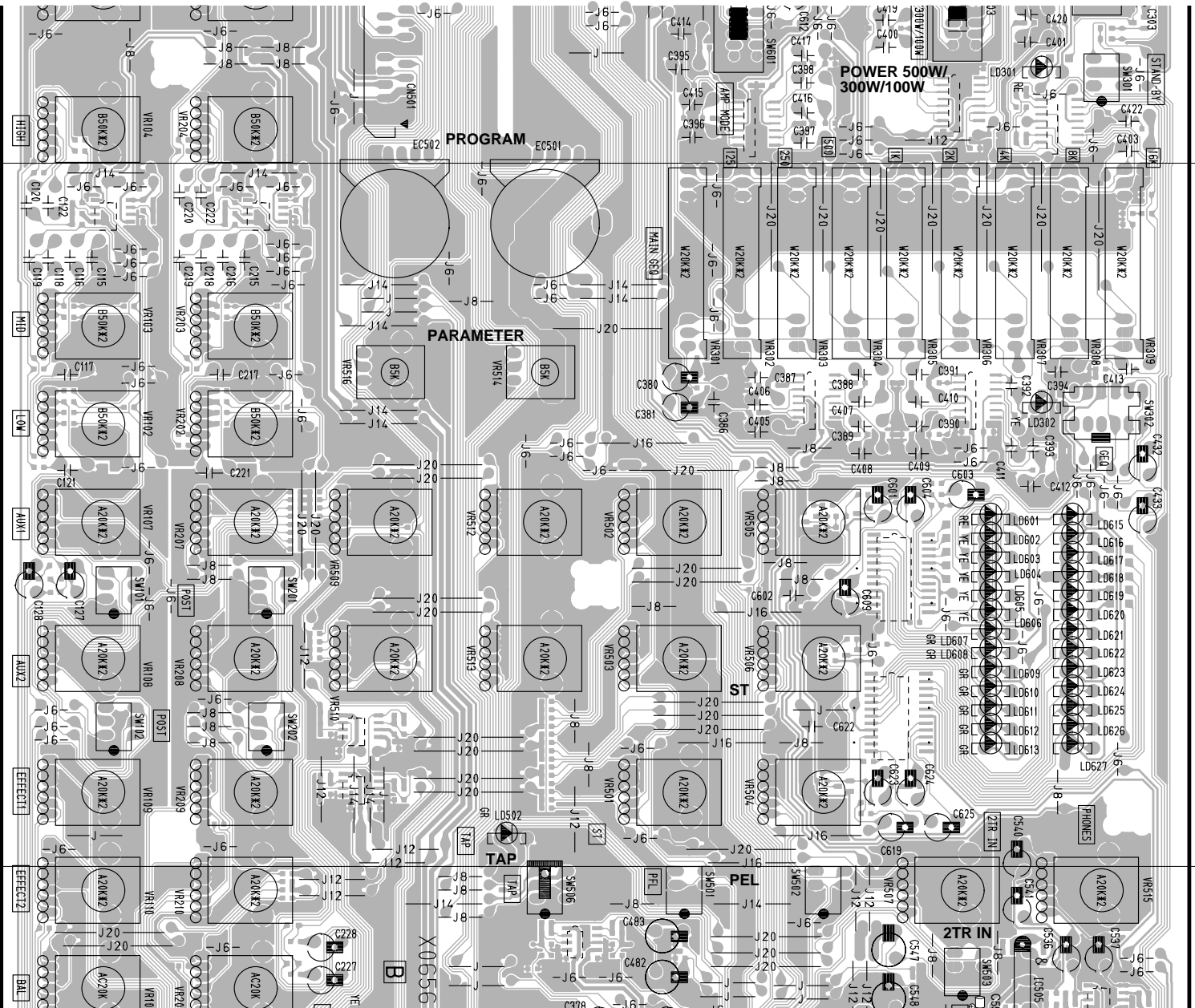
CN501:
to DSP

GAIN

HIGH

A

A



STAND-BY

MAIN EQ

EQ ON/OFF

LED INDICATORS

PHONES

HIGH

MID

LOW

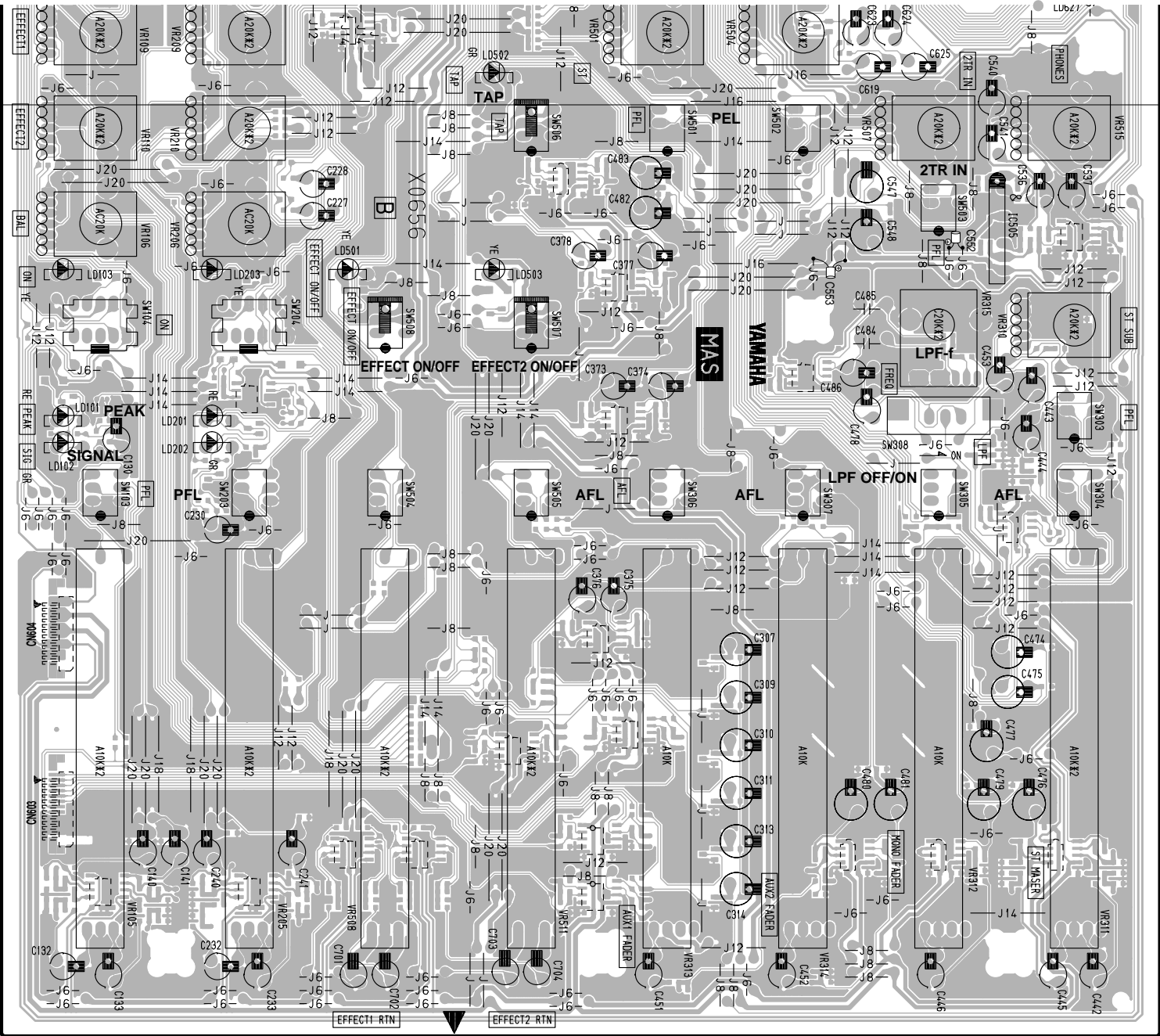
AUX1
AUX1 POST

AUX2
AUX2 POST

EFFECT1

EFFECT2

BAL



B

PHONES

ST SUB OUT

PFL

EFFECT1

EFFECT2

BAL

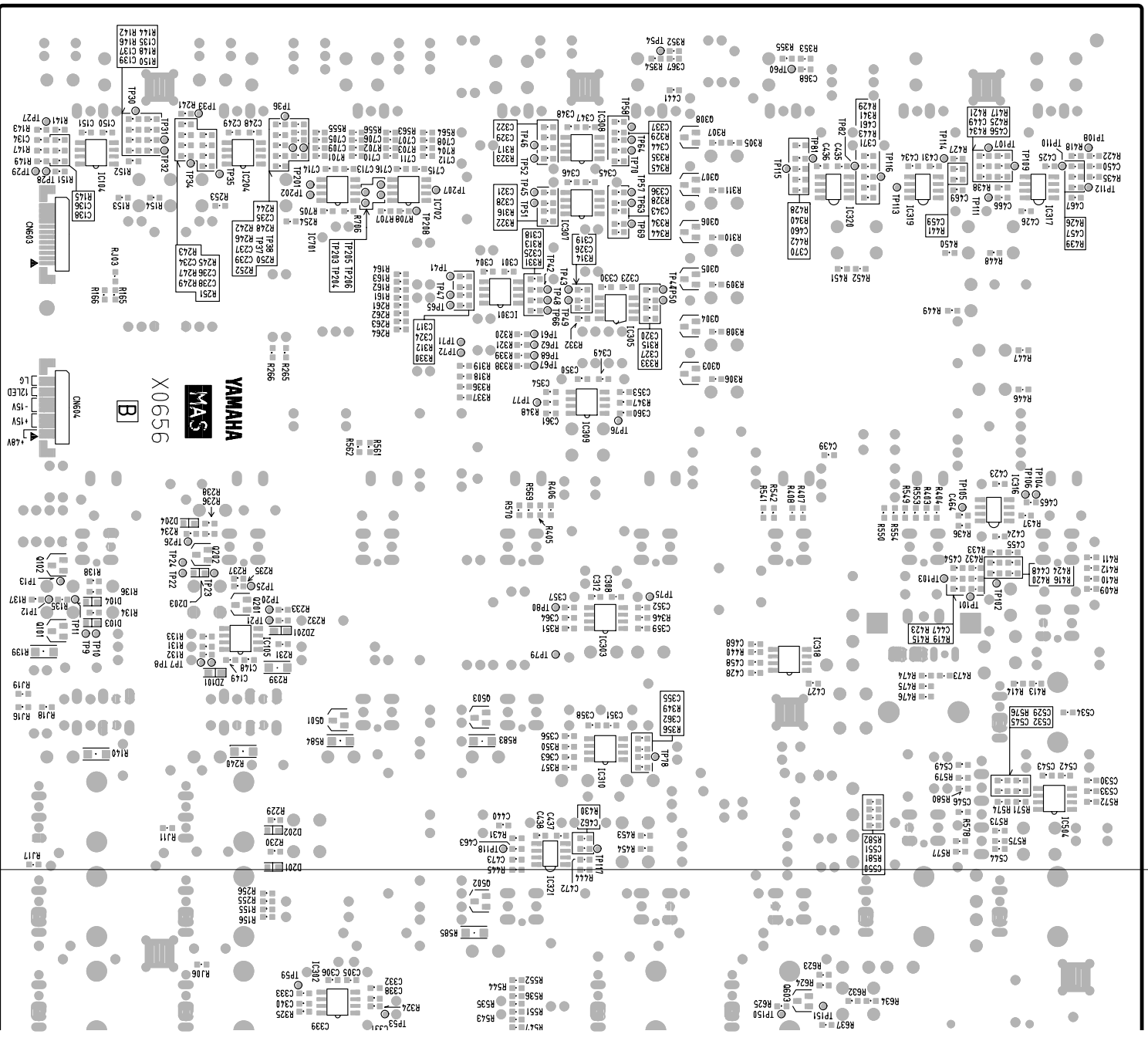
CH ON/OFF

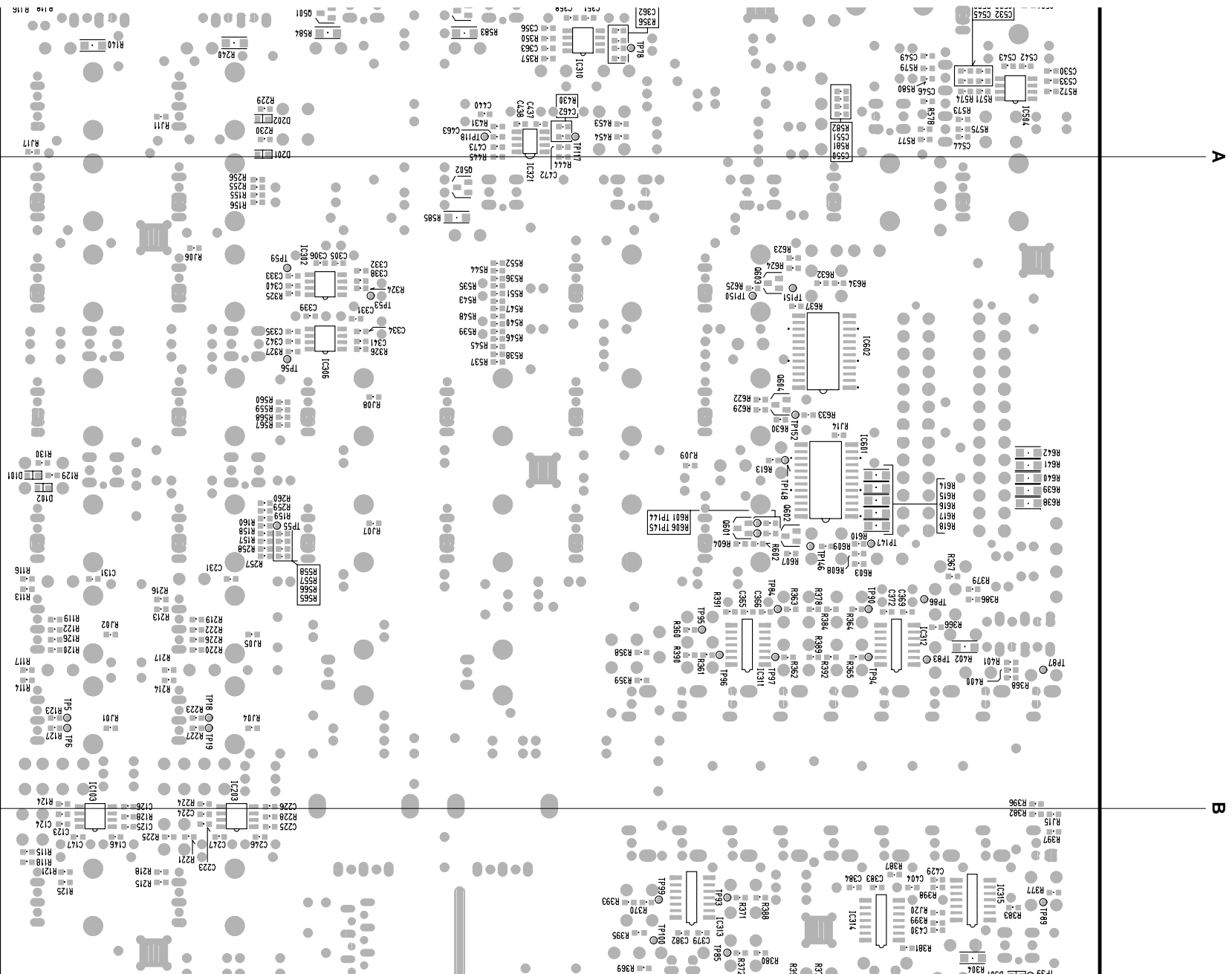
CN604:
to IN8 CN904

CN603:
to IN8 CN903

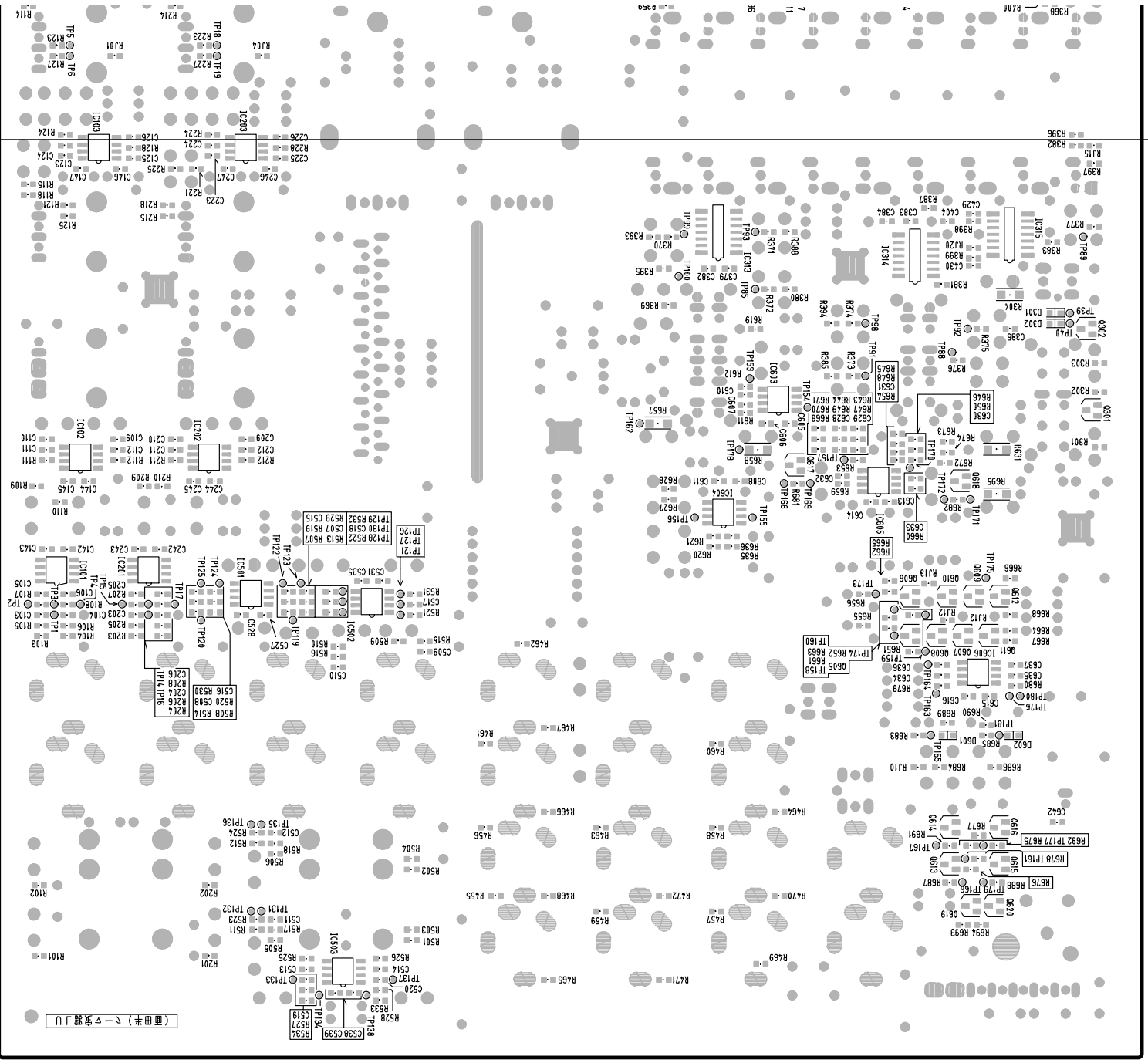
Component side

9/10 (EMX5000-12) 11/12 (EMX5000-12) EFFECT1 RTN EFFECT2 RTN AUX1 AUX2 MONO OUT ST OUT
 17/18 (EMX5000-20) 19/20 (EMX5000-20)



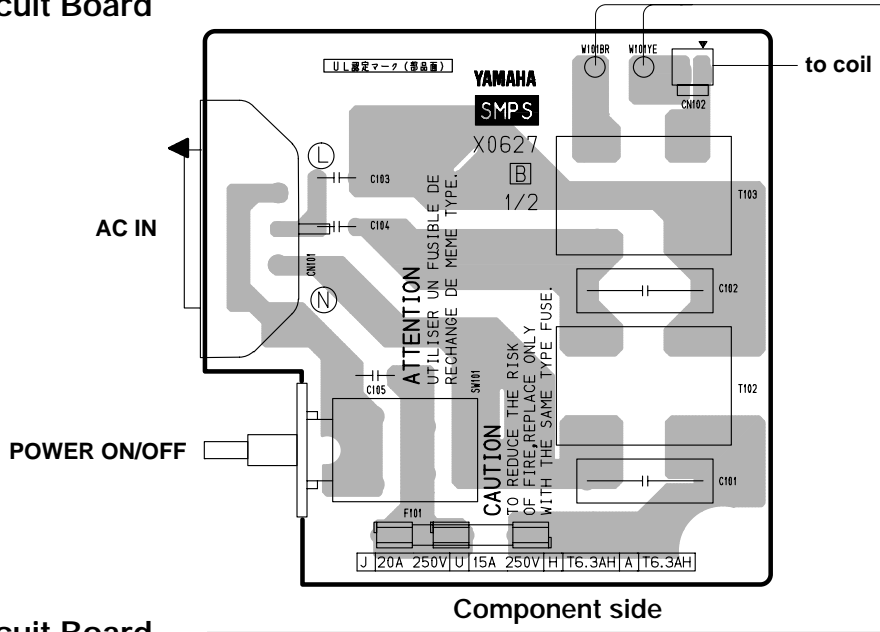


MAS: 3NA-V826750

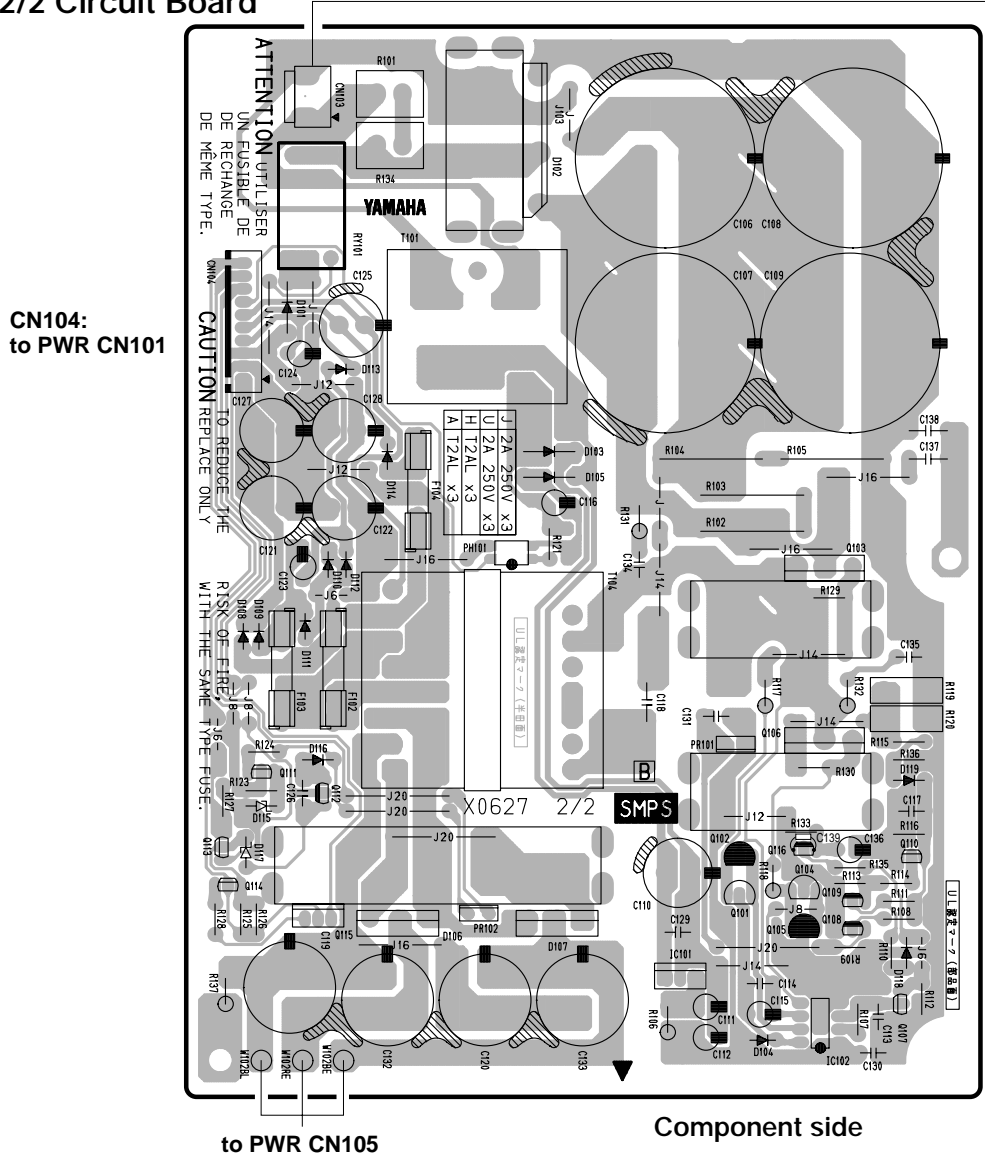


Pattern side

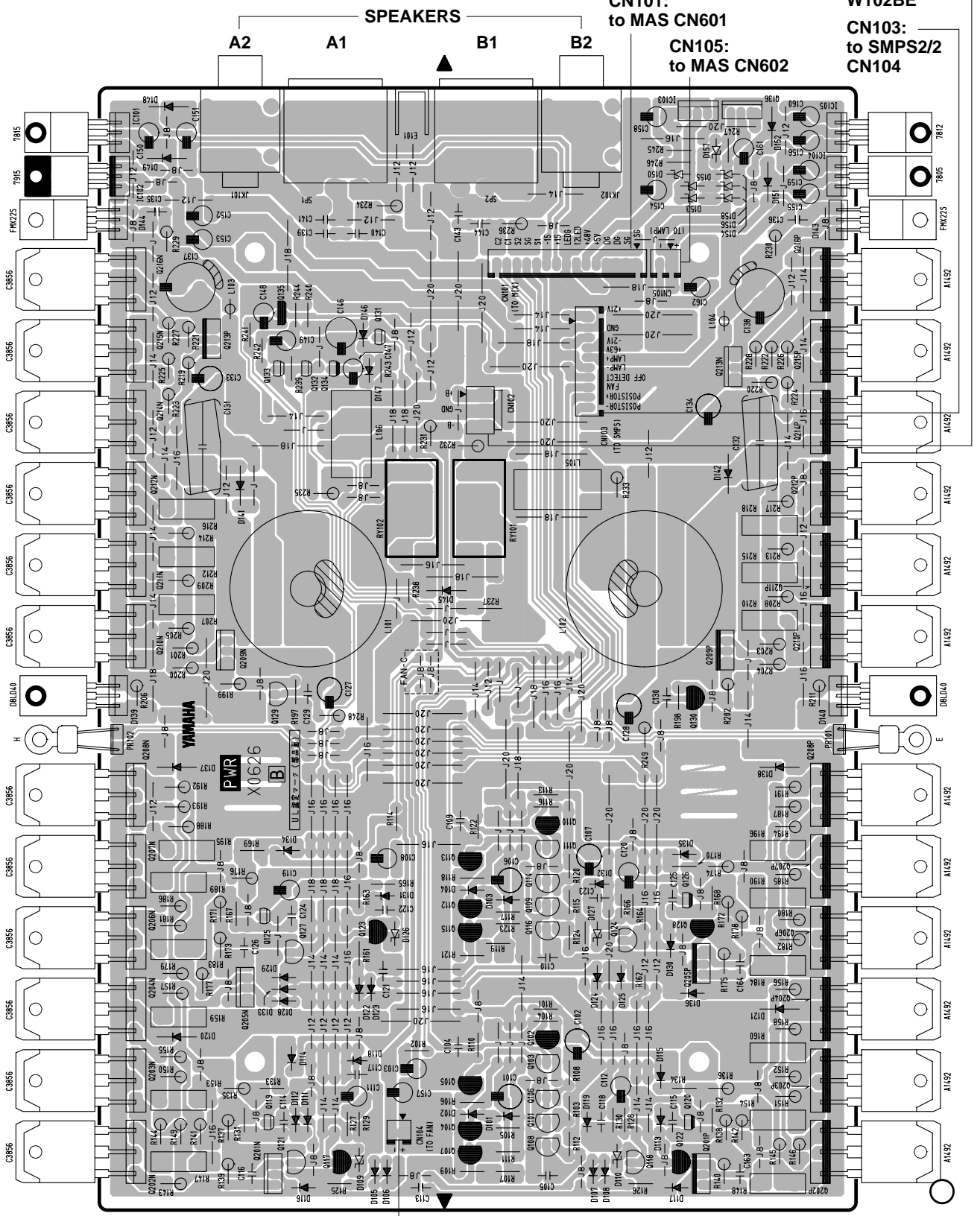
• SMPS 1/2 Circuit Board



• SMPS 2/2 Circuit Board



• PWR Circuit Board



CN102:
to SMPS2/2
W102BL,
W102RE,
W102BE

CN103:
to SMPS2/2
CN104

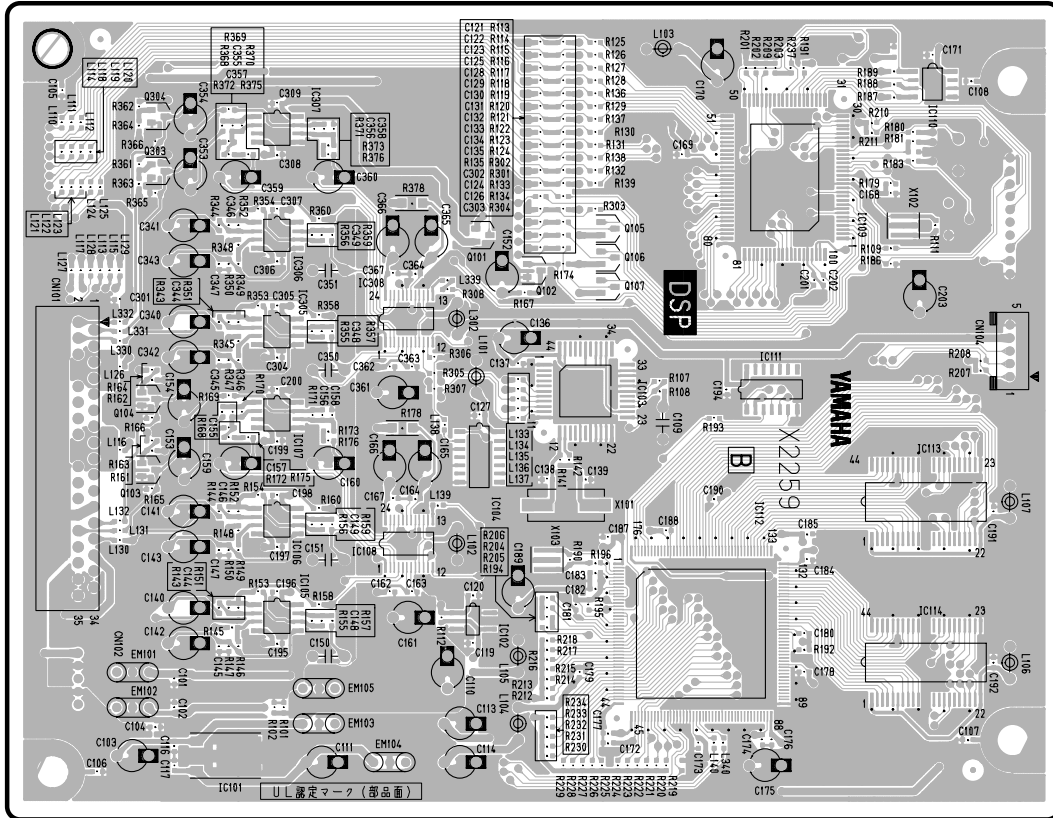
CN101:
to MAS CN601

CN105:
to MAS CN602

CN104:
to FAN

Component side

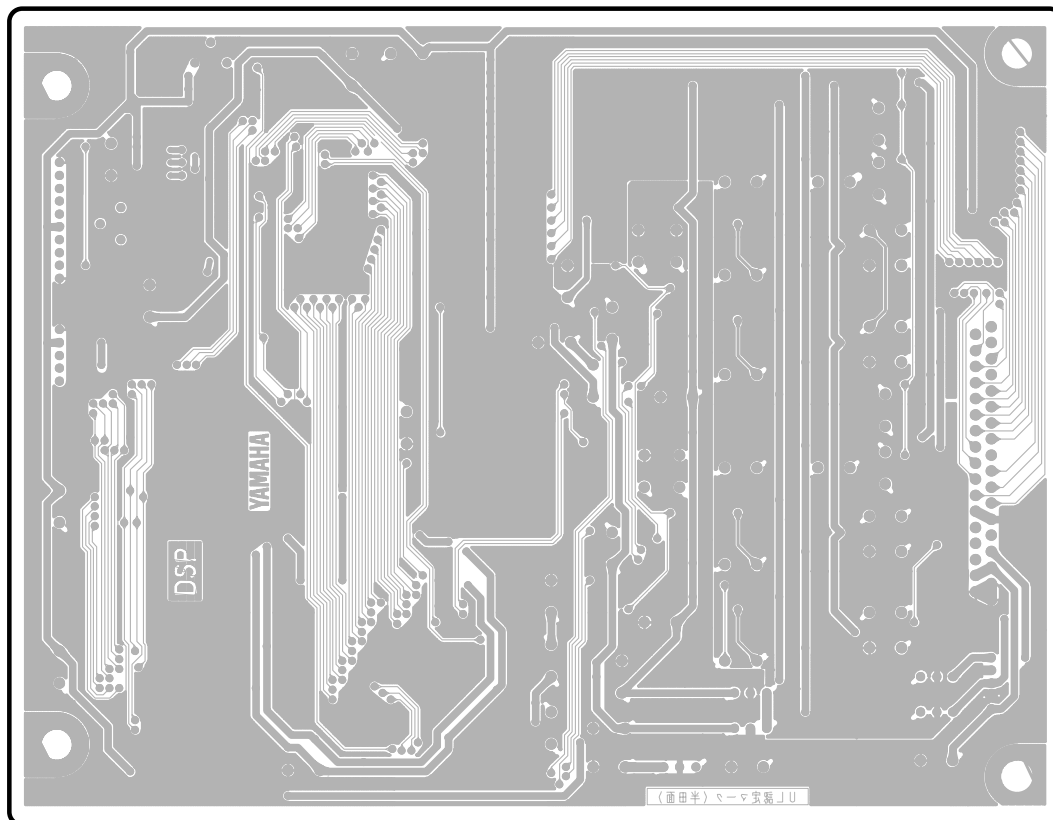
• DSP-SPX Circuit Board



CN101:
to MAS
CN501

N.C.

Component side



Pattern side

INSPECTIONS

A. INSPECTIONS OF MIXER

1 PREPARATIONS

- Unless otherwise specified, the signal to be applied should be 1kHz, The sine wave and the signal source impedance should be 150 ohm. Also, the load resistance at each output terminal should be of the following values.

INSERT OUT, REC OUT	10k Ω
PHONES	40 (3W or more)
LAMP	30 (20W or more)
Other output terminals	600 Ω

- Unless otherwise specified, set the controls as follows.

1-1 CH INPUT (1-8: EMX5000-12/1-16: EMX5000-20)

26dB switch	OFF
GAIN control	MINIMUM
HPF switch	OFF
EQ(HIGH, MID, LOW) level control	CENTER
EQ MID FREQ control	MINIMUM
AUX 1,2 level control	MAXIMUM
AUX 1,2 POST switch	OFF
EFFECT 1,2 level control	MAXIMUM
PAN control	CENTER
ON switch	ON only during measurement, OFF at all other times.
PFL switch	OFF
fader	MAXIMUM

1-2 ST CH INPUT (9-12: EMX5000-12/17-20:EMX5000-20)

GAIN control	MINIMUM
EQ(HIGH, MID, LOW) level control	CENTER
AUX 1,2 level control	MAXIMUM
AUX 1,2 POST switch	OFF
EFFECT 1,2 level control	MAXIMUM
BAL control	CENTER
ON switch	OFF
PFL switch	OFF
fader	MAXIMUM

1-3 DIGITAL EFFECT (1,2)

PROGRSM select switch	16
PARAMETER control	MINIMUM
DIGITAL EFFECT ON switch	OFF
TAP switch (EFFECT 2)	OFF
EFFECT RTN fader	MAXIMUM only during measurement, MINIMUM at all other times.

1-4 ST SUB IN

AUX 1,2 level control	MAXIMUM
ST level control	MAXIMUM
PFL switch	OFF

1-5 2TR IN

ST level control	MAXIMUM
PFL switch	OFF

1-6 MASTER

GRAPHIC EQUALIZER GAIN control	CENTER
GRAPHIC EQUALIZER ON switch	OFF
AUX (1, 2), MONO OUT, ST OUT PFL switch	OFF
ST OUT AFL switch	OFF
MONO OUT LPF ON/OFF switch	OFF
MONO OUT LPF FREQ control	MINIMUM
PHONES, ST SUB OUT level control	MAXIMUM
ST1, MONO, MONITOR (1, 2), EFFECT fader	MAXIMUM
AUX (1, 2), MONO OUT, ST OUT fader	MAXIMUM

1-7 PHANTOM

PHANTOM switch	OFF
----------------	-----

1-8 POWER AMP

SIGNAL SELECT switch	ST (L, R)
POWER SELECT switch	500W

1-9 YAMAHA SPEAKER PROCESSING switch OFF

1-10 STAND-BY switch OFF

2 GAIN

- In the state as described in 1 above, check that the output level within the range specified in Tables 2-1 to 2-5 can be obtained at each output terminal.

[Table 2-1] Input terminal [INPUT CH1-8: EMX5000-12 / 1-16: EMX5000-20] [Unit: dBs]

INPUT	INPUT LEVEL	GAIN	INSERT OUT	ST OUT (L,R)	ST SUB OUT (L,R)	MONO OUT	AUX 1,2 SEND (POST SW OFF)	AUX 1,2 SEND (POST SW ON)	EFFECT 1,2 SEND
INPUT A	-80	MAX.	-20 ± 2	+1 ± 2	-3 ± 2	+4 ± 2	0 ± 2	+10 ± 2	0 ± 2
	-54 (26dB ON)	MAX.	-	+1 ± 2	-	-	-	-	-
	-36	MIN.	-	+1 ± 2	-	-	-	-	-
INPUT B	-80	MAX.	-	+1 ± 2	-	-	-	-	-

[Table 2-2] Input terminal [INPUT CH1-8: EMX5000-12 / 1-16: EMX5000-20] [Unit: dBs]

INPUT	INPUT LEVEL	ST OUT (L,R)	REC OUT (L,R)	PHONES (L,R) *1
INSERT IN	-20	+1 ± 2	+20.8 ± 2	-11 ± 2

*1: Turn on the PFL switch of the channel to which the signal was input.

[Table 2-3] Input terminal [ST INPUT CH9-12: EMX5000-12 / 17-20: EMX5000-20] [Unit: dBs]

INPUT	INPUT LEVEL	GAIN	ST OUT L	ST OUT R	AUX 1,2 SEND (POST SW OFF)	AUX 1,2 SEND (POST SW ON)	EFFECT 1,2 SEND	PHONES (L, R) *1
9/11L 17/19L (PHONE)	-54	MAX.	+1 ± 2	-	-3 ± 2	+7 ± 2	-3 ± 2	-11 ± 2 (L)
10/12R 18/20R (PHONE)	-54	MAX.	-	+1 ± 2	-3 ± 2	+7 ± 2	-3 ± 2	-11 ± 2 (R)
9/11L 17/19L (PIN)	-54	MAX.	+1 ± 2	-	-	-	-	-
10/12R 18/20R (PIN)	-54	MAX.	-	+1 ± 2	-	-	-	-

*1: Turn on the PFL switch of the channel to which the signal was input.

[Table 2-4] Input terminal [ST SUB IN (1, 2)] [Unit: dBs]

INPUT	INPUT LEVEL	ST OUT L	ST OUT R	AUX 1, 2 SEND	PHONES L *1	PHONES R *1
L/MONO	-6	+10 ± 2	+10 ± 2	+13 ± 2	-1 ± 2	-1 ± 2
R	-6	—	+10 ± 2	+7 ± 2	—	-1 ± 2

*1: Turn on the PFL switch.

[Table 2-5] Input terminal [2TR IN] [Unit: dBs]

INPUT	INPUT LEVEL	ST OUT L	ST OUT R	PHONES L *1	PHONES R *1
L	-17.8	+10 ± 2	—	-1 ± 2	—
R	-17.8	—	+10 ± 2	—	-1 ± 2

*1: Turn on the PFL switch.

[Table 2-6] Input terminal [CH1: INPUT A], Output terminal [PHONES (L, R)] [Unit: dBs]

INPUT LEVEL	GAIN	ST AFL ON	MONO AFL ON	AUX 1, 2 AFL ON
-46	MIN.	-4 ± 2	-1 ± 2	-5 ± 2

3 FREQUENCY RESPONSE

- In each state as described in Tables 2-1, 2-2, 2-3 and 2-4, input a signal at the frequency of 20Hz and 20kHz and check that the output level at each output terminal is within the range of +1/-3dB with 1kHz used as a reference. At 20Hz with the GAIN control set at the MAX position only, however, check that the output level is within the range of +1dB/-4.5dB. For PHONES, take measurement at 2TR IN input terminal.

4 EQUALIZER CHARACTERISTICS

- In the state as described in 1, move each EQ control of INPUT and check that the output level of the frequency obtained at ST OUT falls within the range given in Table 4-1 with the output level obtained at the center click position used as a reference. If the output level at a specified frequency does not fall within the range given in Table 4-1, vary the frequency and check that the output level as specified in the table below is obtained. Also, check that the frequency variation at this time is within the range of specified frequency ±20%.

[Table 4-1] (INPUT CH1-8: EMX5000-12 / 1-16: EMX5000-20) [Unit: dBs]

EQ	level control	f control	Input frequency	Variation width
LOW	MAX.	—	10KHz	+12 ± 2
	MIN.	—		-12 ± 2
MID	MAX.	MIN.	250KHz	+15 ± 2.5
	MIN.			-15 ± 2.5
	MAX.	MAX.	5KHz	+15 ± 2.5
	MIN.			-15 ± 2.5
HIGH	MAX.	—	100Hz	+12 ± 2
	MIN.	—		-12 ± 2

[Table 4-2] Input terminal [ST INPUT, CH9-12: EMX5000-12 / CH17-20: EMX5000-20] [Unit: dBs]

EQ	level control	Input frequency	Variation width
LOW	MAX.	100Hz	+12 ± 2
	MIN.		-12 ± 2
MID	MAX.	2.5KHz	+15 ± 2.5
	MIN.		-15 ± 2.5
HIGH	MAX.	10KHz	+12 ± 2
	MIN.		-12 ± 2

4a HPF characteristic

- In the state as described in 1, set the input signal level to 80Hz and turn on the HPF switch of CH INPUT 1 and check that the output level of ST OUT L is within the range of -3±2dB with the level at the HPF switch OFF used as a reference.

5 GRAPHIC EQUALIZER CHARACTERISTICS

- In the state as described in 1, move the GEQ fader to the MIN or MAX position and check that the output level of the frequency obtained at ST1 OUT (L, R) falls within the range given in Table 5-1 with the output level obtained at the center click position used as a reference.

If the output level at a specified frequency does not fall within the range given in the table, vary the frequency and check that the output level in the range as specified in the table is obtained. Also, check that the frequency variation at this time is within the range of specified frequency $\pm 20\%$.

[Table 5-1] [Unit: dBs]

		63	125	250	500	1k	2k	4k	8k	16k
Input signal frequency		63kHz	125kHz	250kHz	500kHz	1kHz	2kHz	4kHz	8kHz	16kHz
Variation width	MAX	+12 \pm 2								
	MIN	-12 \pm 2								

6 MONO OUT LPF

- In the state as described in 1, set the input signal level to 80Hz when the MONO OUT FREQ control is at the MIN position and to 120Hz when it is at the MAX position. (Applicable only for CH1 INPUT A)

Also check that the MONO OUT output level when the MONO OUT LPF ON/OFF switch is turned on is within the range of -3 ± 2 dB with the level at the switch OFF used as a reference.

7 PEAK LED LIGHTING LEVEL

- In the state as described in 1, input a signal to INPUT A, ST CH IN (PHONE) and check that the PEAK LED lights up at the input signal level as in Table 7-1.

[Table 7-1] [Unit: dBs]

Input channel	CH1~8/16	ST CH
Input signal level	-43 \pm 3	-17 \pm 3

8 SIGNAL LED LIGHTING LEVEL

- In the state as described in 1, input a signal to INPUT A, ST CH IN (PHONE) and check that the SIGNAL LED lights up at the input signal level as in Table 8-1.

[Table 8-1] [Unit: dBs]

Input channel	CH1~8/16	ST CH
Input signal level	-70 \pm 3	-38 \pm 3

9 LED METER LIGHTING LEVEL

- Check that when the output level of ST OUT is as in Table 9-1, each corresponding METER LED lights up.

[Table 9-1] [Unit: dBs]

LED	PEAK	+8	+5	+3	+1	0	-1
Lighting start level	+17 \pm 2	+12 \pm 2	+9 \pm 2	+7 \pm 2	+5 \pm 2	+4 \pm 2	+3 \pm 2
LED	-3	-5	-7	-10	-15	-20	-
Lighting start level	+1 \pm 2	+1 \pm 2	-3 \pm 2	-6 \pm 2	-11 \pm 2	-16 \pm 2	-

10 DISTORTION FACTOR

- In the state as shown in Tables 2-1, 2-3, 2-4 and 2-5, check that the distortion factor when +14dBs output is obtained at each output terminal is 0.1% or less (except for REC OUT, INSERT OUT and PHONES).

In the case of PHONES, set the 12 o'clock point of the level control to the nominal position and check that the distortion factor when +3dBs output is obtained is 0.2% or less.

11 MAXIMUM OUTPUT

- In the state as described in 1, set the GAIN control to the MAX position (or turn PAN or BAL VR clockwise or counterclockwise fully when measuring at ST OUT), check that +20dBs output with 1% or less distortion factor is obtained at ST OUT, MONO OUT and AUX SEND. Also, check that +8dBs output with 1% or less distortion factor is obtained at PHONES.

12 EIN

- In the state as described in 1, set only the fader and GAIN control VR of the channel being measured to the MAX position, turn PAN or BAL VR counterclockwise fully, set the fader of all the other channels to the MIN position and short-circuit the INPUT A terminal with 150 ohm. Then check that the noise level obtained at ST OUT L is -43dBs or less.
- If it exceeds -43dBs, calculate the input converted noise level of each channel and check that the result is -127dBs or less. (Use the DIN audio filter.)

13 RESIDUAL NOISE

- In the state as described in 1, set all Fader/Level controls in the INPUT section to the MIN position. Then set the Fader/Level controls in the MASTER section to the MAX or MIN position and check that the noise level at ST OUT, MONO OUT, AUX SEND and EFFECT OUT (without MASTER level control) is at the level indicated in Table 10-1 or less.

[Table 13-1]

fader/level control	ST OUT (L, R)	MONO OUT	AUX 1,2 SEND	EFFECT SEND	PHONES
MAX	-73	-73	-70	-80	-78
MIN	-95	-93	-95	–	-96

14 PHANTOM

- Connect a 10k ohms load resistance between pins 1 and 2 of INPUT A to short-circuit between pins 2 and 3. Then check that +35±3 V voltage is obtained at both ends of the load resistance when the PHANTOM switch is turned on.

15 LAMP TERMINAL

- The voltage at the LAMP terminal should be 12±1V (DC) (30 ohm load)
Measure the voltage between pins 2 and 3.

16 DIGITAL EFFECT

- In the state as described in 1, input -36 dBs signal to CH1 INPUT A and set AUX1 level control to the MIN position and EFFECT1 level control as well as the CH fader to the MAX position.
Then with the PROGRAM select switch set to 16, PARAMETER VR to MIN and AUX1 EFFECT RTN VR to the MAX position, check that the output signal level at AUX1 OUT is larger than 0dBs when the DIGITAL EFFECT ON switch is turned on.

17 STAND-BY

- In the state as described in 1, apply a signal from CH INPUT A and set the level of ST OUT (L o R) / AUX SEND (1 o 2) / EFFECT SEND (1 o 2) output terminals to +14dB. Then turn on the STAND-BY switch and check that the output level is – 46dB or less and that the LED flashes.

18 STABILITY

- Connect a load resistance to the power amplifier output for this inspection.
- Check that no abnormality such as oscillation occurs when a 10pF to 0.1μF capacitor is connected in parallel with a load resistance at each output terminal.
- Check that no abnormality such as oscillation occurs when all faders, level controls and equalizer are set to the MAX position. (Short-circuit the input terminal with 150 ohm.)

B. INSPECTION OF POWER AMPLIFIER

● Inspection of SIGNAL SELECT switch MAIN L – MAIN R, AUX1 – AUX2

1 PREPARATIONS

- Input terminal: ST SUB IN 1 L/MONO
- SIGNAL SELECT switch: MAIN L-MAIN R
- POWER SELECT switch: 500W+500W
- Output terminal: SPEAKERS A2, SPEAKERS B2
- Load resistance: 40 Ω (500W or more)
Unless otherwise specified, the load resistance of the speakers should be connected only when checking the power amplifier.
- Set INPUT CH1-20 (EMX5000-20) / CH1 – 12 (EMX5000-12), ST SUB IN 2 and 2TR IN level controls to the MIN position.
- Other than the above, use the same setting as described under PREPARATIONS for inspection.

2 Muting function at power ON

- Check that the muting function is cancelled and the relay turns on at 2.5±1 seconds after the POWER switch is turned on.

3 Fan

- Short-circuit the 2 J wires within the frame marked FAN-C in the center of the PWR circuit board and check that the fan runs at a low speed.

4 DC voltage at output terminal

- Check that the DC voltage at the output terminal is $0 \pm 100\text{mV}$ when the input terminal is grounded.

5 GAIN

- Input a -19 dBs signal to the input terminal and check that the output level of the measured gain is as specified in Table 5-1 when the SIGNAL SELECT switch setting is changed.
Check all the output terminals other than BRIDGE (1+, 2+). For SIGNAL SELECT switch MAIN L – MAIN R, also check with the select position of the POWER SELECT switch changed.

[Table 5-1] Gain

[Unit: dBs]

POWER AMP switch	MAIN L-MAIN R			AUX1-MONO	AUX1-AUX2
	500W+500W	300W+300W	100W+100W		
SPEAKERS A1 (1+, 1-), A2	22.2 ± 2.0	20.0 ± 2.0	15.2 ± 2.0	25.2 ± 2.0	25.2 ± 2.0
SPEAKERS B1 (1+, 1-), B2 SPEAKERS A1 (2+, 2-)	22.2 ± 2.0	20.0 ± 2.0	15.2 ± 2.0	25.2 ± 2.0	25.2 ± 2.0

6 FREQUENCY RESPONSE

- YAMAHA SPEAKERS PROCESSING switch OFF
Input -19 dBs signal to the input terminal and check that the output voltage at 20Hz and 20kHz signal frequency is within the range of $\pm 1/-3\text{dB}$ with 1kHz used as a reference.
- YAMAHA SPEAKERS PROCESSING switch ON
Input 70Hz/-19dBs signal to the input terminal and check that the output voltage when YAMAHA SPEAKERS PROCESSING switch is turned off is within the range of $\pm 6.2 \pm 2\text{dB}$ with 1kHz output voltage used as a reference.

7 TOTAL HARMONIC DISTORTION

- Input a 1kHz signal to the input terminal and check that the total harmonic distortion is 0.5% or less when $500\text{W} + 500\text{W}/4 \Omega$ (35.2 dBs) output is obtained.
- Also, input 20Hz, 1kHz and 20kHz signals to the input terminal and check that the total harmonic distortion is 0.5% or less when $250\text{W} + 250\text{W}/4 \Omega$ (32.2 dBs) signal is obtained at the output terminal.
- * Be sure to finish this inspection within 30 seconds.

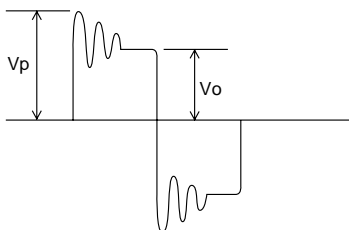
8 RESIDUAL NOISE

- Set the ST MASTER level control to the MIN position and check that the noise level at the output terminal is -65dBs. Use care so that the measurement is not affected by the induction noise. (Use the DIN audio filter.)

9 STABILITY

- With 10kHz, -3.2dBs rectangular wave inputted, connect 10pF to 0.47 μF static capacitance in parallel with 4 Ω load resistance or 10 μH to 0.47H inductance in series and check that the following requirements are satisfied.

Overshoot: $V_p/V_o \leq 1.8$
Ringing: Within 5 waves



- Disconnect 4 Ω load resistance to make the load consisting of 10pF to 0.47 μF static capacitance only and check that ringing is within 7 waves at $V_p/V_o \leq 2.5$ and no oscillation or the like occurs.

10 PROTECTION CIRCUIT

- With a signal input to POWER AMP IN (L), clip the output waveform of the 10Hz signal and check that the protection circuit functions to prevent the relay from opening.
- Check that the protection circuit functions within 2 seconds to shut off the output when a 1Hz, $V_p-p=10\text{V}$ (13.2dBs) signal is input and the output is restored automatically within 5 seconds when the input signal is stopped.

11 PC LIMITER CIRCUIT, LIMITER CIRCUIT

- With $1\ \Omega$ load resistance ($\pm 5\%$, 100W) connected to the output terminal, input a 0dBs signal to the input terminal and observe the output terminal using an oscilloscope. At this time, the protection circuit should function to shut off the output, the LIMITER indicator should light up and the output should be restored automatically within 5 seconds when the input signal is stopped.

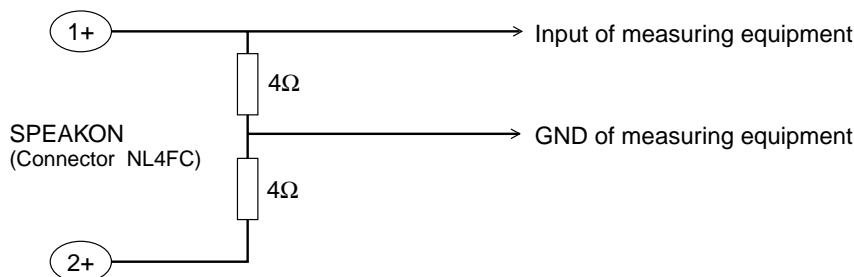
12 EFFICIENCY

- Input a 1kHz, -15dBs signal and check that the primary power is $360\pm 50W$. If the primary power is not within the specified range, adjust the input level so that 15.8V (26.2dBs) output is obtained at SPEAKER S and take measurement again.

● INSPECTION OF SIGNAL SELECT switch BRIDGE

1 PREPARATIONS

- Input terminal: ST BUS IN 1 L/MONO
 - SIGNAL SELECT switch: MONO-RIDGE
 - POWER SELECT switch: 500W+500W
 - Output terminal: SPEAKER A1 (1+, 2+)
 - Load resistance: 8 ohm (1000W or more)
- Unless otherwise specified, the load resistance of the speakers should be connected only when performing inspection.
- Set all the INPUT CH1 to 20 (EMX5000-20) / CH1 to 12 (EMX500-12), ST SUB IN 2 and 2TR IN level controls to the MIN position.
 - Other than the above, use the same settings as described under "Inspection 1" for inspection.
- Connection of measuring equipment



2 GAIN

- Input a -22.0dBs signal to the input terminal and check that $+22.2\pm 2$ dBs output is obtained.

3 FREQUENCY RESPONSE

- Input -22.0dBs signals to the input terminal and check that the output voltage when the signal frequency is 20Hz or 20kHz is within the range of $\pm 1/-3$ dB with 1kHz used as a reference.

C. OTHER INSPECTION

1 POWER VOLTAGE VARIATION

- Check that no abnormality occurs with operation even when the power voltage is varied by $\pm 10\%$.

D. FACTORY SETTINGS

- | | |
|--|-----------------|
| • EQ (GAIN), GEQ, PAN, BAL | CENTER |
| • PROGRAM select | 1 |
| • All VR/FADER controls other than above | MINIMUM |
| • All push switches | OFF (light off) |
| • PHANTOM switch | OFF |
| • SIGNAL SELECT switch | MAIN (L, R) |
| • POWER SELECT switch | 500W+500W |
| • YAMAHA SPEAKER PROCESSING switch | ON |

EMX 5000-12/20

POWERED MIXER

PARTS LIST


■ CONTENTS

OVERALL ASSEMBLY	2
ELECTRICAL PARTS	6

Notes : DESTINATION ABBREVIATIONS

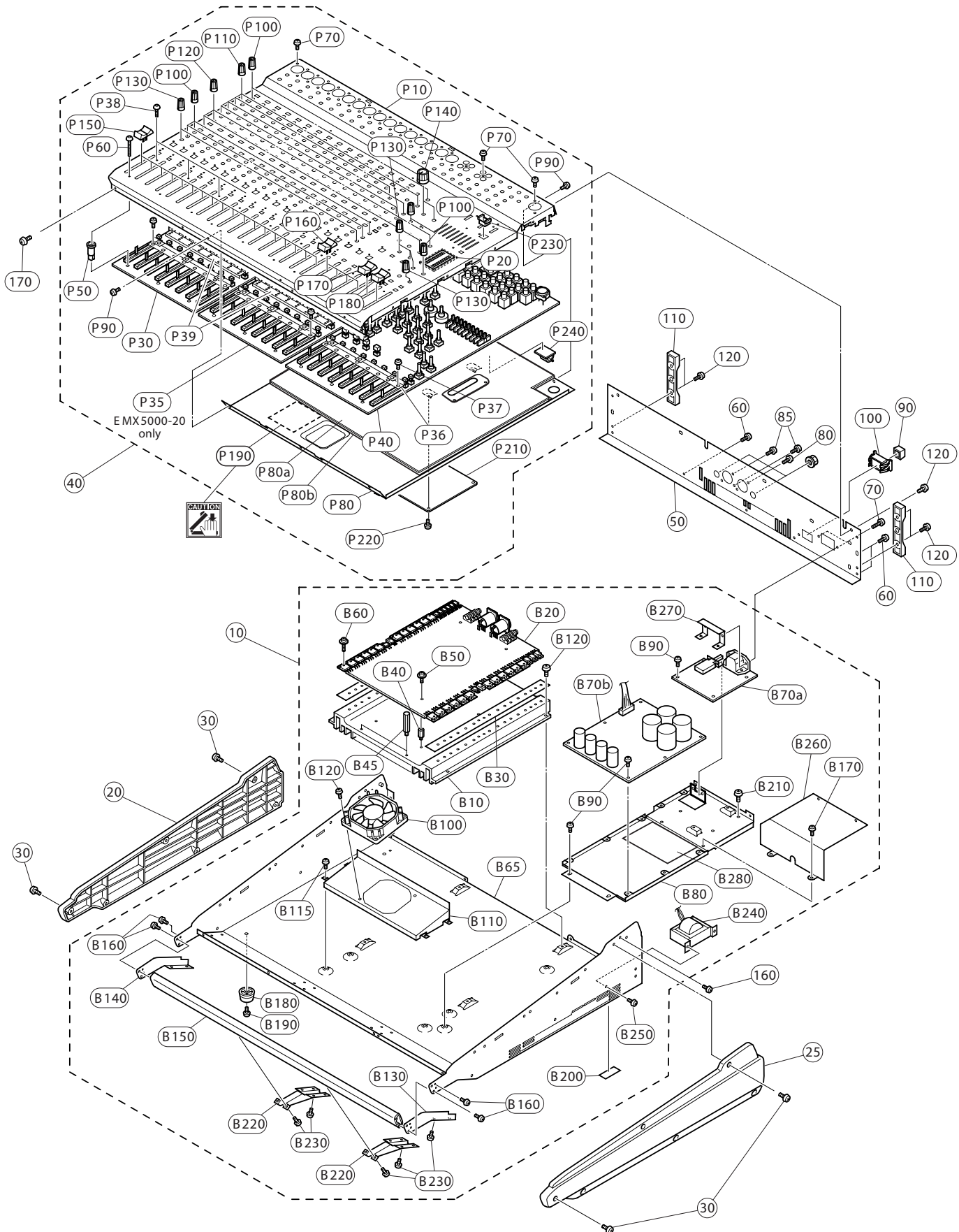
A : Australian model	M : South African model
B : British model	O : Chinese model
C : Canadian model	Q : South-east Asia model
D : German model	T : Taiwan model
E : European model	U : U.S.A. model
F : French model	V : General export model (110V)
H : North European model	W : General export model (220)
I : Indonesian model	N,X: General export model
J : Japanese model	Y : Export model
K : Korean model	

■ WARNING

Components having special characteristics are marked  and must be replaced with parts having specification equal to those originally installed.

- The numbers "QTY" show quantities for each unit.
- The parts with "--" in "PART NO." are not available as spare parts.
- This mark "}" in the REMARKS column means these parts are interchangeable.
- The second letter of the shaded (■) part number is O, not zero.
- The second letter of the shaded (■) part number is I, not one.

OVERALL ASSEMBLY



REF NO.	PART NO.	DESCRIPTION		REMARKS	QTY	RANK
	--	OVERALL ASSEMBLY		EMX5000-12/20		
	--	Overall Assembly		EMX5000-20 J (V849350)		
	--	Overall Assembly		EMX5000-20 U,V (V849360)		
	--	Overall Assembly		EMX5000-20 H,B,W (V849370)		
	--	Overall Assembly		EMX5000-20 A (V849380)		
	--	Overall Assembly		EMX5000-20 K (V945780)		
	--	Overall Assembly		EMX5000-12 J (V821180)		
	--	Overall Assembly		EMX5000-12 U,V (V821190)		
	--	Overall Assembly		EMX5000-12 H,B,W (V821210)		
	--	Overall Assembly		EMX5000-12 A (V821220)		
	--	Overall Assembly		EMX5000-12 K (V945720)		
	VV104600	Cord Holder	CV-100		2	01
	--	Name Plate	KOREA	EMX5000-20 K (V945790)		
	--	Name Plate	KOREA	EMX5000-12 K (V945730)		
10	--	Bottom Assembly		EMX5000-20 J (V849400)		
10	--	Bottom Assembly		EMX5000-20 U,V (V849410)		
10	--	Bottom Assembly		EMX5000-20 H,B,W,K (V849420)		
10	--	Bottom Assembly		EMX5000-20 A (V849430)		
10	--	Bottom Assembly		EMX5000-12 J (V848310)		
10	--	Bottom Assembly		EMX5000-12 U,V (V848340)		
10	--	Bottom Assembly		EMX5000-12 H,B,W,K (V848350)		
10	--	Bottom Assembly		EMX5000-12 A (V848360)		
*	V8427400	Side Pad	LEFT			
*	V8427500	Side Pad	RIGHT			
30	EG340190	Bind Head Tapping Screw-B	4.0X8 MFZN2BL		6	01
40	--	Panel Assembly		EMX5000-20 (V849390)		
40	--	Panel Assembly		EMX5000-12 (V848240)		
*	V8422700	Rear Panel		EMX5000-20 J		
*	V8422800	Rear Panel		EMX5000-20 U,V		
*	V8422900	Rear Panel		EMX5000-20 H,B,W,K		
*	V8423000	Rear Panel		EMX5000-20 A		
*	V8421000	Rear Panel		EMX5000-12 J		
*	V8421200	Rear Panel		EMX5000-12 U,V		
*	V8421300	Rear Panel		EMX5000-12 H,B,W,K		
*	V8421400	Rear Panel		EMX5000-12 A		
60	EP600230	Bind Head Tapping Screw-B	3.0X6 MFZN2BL	EMX5000-20 J,U,V,H,B,W,K	11	01
60	EP600230	Bind Head Tapping Screw-B	3.0X6 MFZN2BL	EMX5000-20 A	10	01
60	EP600230	Bind Head Tapping Screw-B	3.0X6 MFZN2BL	EMX5000-12	10	01
70	VQ074600	Bind Head Tapping Screw-B	3.0X12 MFZN2BL		2	01
80	VN413300	Bonding Tapping Screw-B	3.0X8 MFZN2BL			01
85	V9568800	Flat Fillister H.Tapping Screw	#B (+) 3.0X8 MFZN2BL		4	01
90	VU859000	Power Switch Knob		POWER SW		01
100	VU859100	Escutcheon, Power Switch				02
110	V8490400	Connector Guard			2	
120	EP600230	Bind Head Tapping Screw-B	3.0X6 MFZN2BL		4	01
160	EP600230	Bind Head Tapping Screw-B	3.0X6 MFZN2BL	EMX5000-20	8	01
160	EP600230	Bind Head Tapping Screw-B	3.0X6 MFZN2BL	EMX5000-12	15	01
170	VR779900	Bonding Tapping Screw-B	4.0X8 MFZN2BL	EMX5000-20	7	01
170	VR779900	Bonding Tapping Screw-B	4.0X8 MFZN2BL	EMX5000-12	6	01
180	--	Label		U,V (VA03930)		03
	--	BOTTOM ASSEMBLY		EMX5000-20		
	--	Bottom Assembly		EMX5000-20 J (V849400)		
	--	Bottom Assembly		EMX5000-20 U,V (V849410)		
	--	Bottom Assembly		EMX5000-20 H,B,W,K (V849420)		
	--	Bottom Assembly		EMX5000-20 A (V849430)		
	--	Bottom Assembly		EMX5000-12 J (V848310)		
	--	Bottom Assembly		EMX5000-12 U,V (V848340)		
	--	Bottom Assembly		EMX5000-12 H,B,W,K (V848350)		
	--	Bottom Assembly		EMX5000-12 A (V848360)		
*	V8502000	Connector Assembly	24185&24185 10P			
B10	--	Heat Sink		(V842330)		
*	B20 V8269600	Circuit Board	PWR			
B30	V8424400	Insulation Sheet			2	
B40	VV086500	Support	H=7.4 B=5.5		4	01
*	B45 V9140500	Support	H=30 B=5.5		2	
B50	EG330290	Bind Head Screw	SP 3.0X8 MFZN2Y		4	01
B60	VJ470900	Pan Head Screw	SPK 3.0X12 MFZN2Y		34	
*	B65 V8420700	Bottom Chassis		EMX5000-20		
*	B65 V8420600	Bottom Chassis		EMX5000-12		

*: New Parts

RANK: Japan only

REF NO.	PART NO.	DESCRIPTION	REMARKS	QTY	RANK
* B70a	AA33190	Circuit Board	SMPS 1/2	J (V826930,X0627B0)	
* B70a	AA33200	Circuit Board	SMPS 1/2	U,V (V826940,X0627B0)	
* B70a	AA33210	Circuit Board	SMPS 1/2	H,B,W,K (V826950,X0627B0)	
* B70a	AA71680	Circuit Board	SMPS 1/2	A (X848520,X0627B0)	
* B70b	AA74520	Circuit Board	SMPS 2/2	J (V826930,X0627B0)	
* B70b	AA74530	Circuit Board	SMPS 2/2	U,V (V826940,X0627B0)	
* B70b	AA33230	Circuit Board	SMPS 2/2	H,B,W,K (V826950,X0627B0)	
* B70b	AA33250	Circuit Board	SMPS 2/2	A (V848520,X0627B0)	
B80	--	Switching Board Holder		(V842770)	
B90	EP600230	Bind Head Tapping Screw-B	3.0X6 MFZN2BL		13 01
B100	V6024100	Fan	3110GL-B5W-B50-H01		08
B110	--	Fan Shield		(V842450)	
B115	EP600230	Bind Head Tapping Screw-B	3.0X6 MFZN2BL		4 01
B120	EP600240	Bind Head Tapping Screw-B	4.0X10 MFZN2BL	DC FAN	6 01
* B130	V8424600	Angle Bracket	RIGHT		
* B140	V8424700	Angle Bracket	LEFT		
* B150	V8424900	Handle		EMX5000-20	
* B150	V8424800	Handle		EMX5000-12	
B160	EP600240	Bind Head Tapping Screw-B	4.0X10 MFZN2BL		4 01
B170	EP600230	Bind Head Tapping Screw-B	3.0X6 MFZN2BL		2 01
B180	VV085600	Leg			4 01
B190	VR138400	Bind Head Tapping Screw-B	4.0X12 MFZN2BL		4 01
B200	V7394400	Screw Cover		EMX5000-20	2
B200	V7394400	Screw Cover		EMX5000-12	5
B210	EG340290	Bind Head Screw	A4.0X6 MFZN2BL		01
* B220	V8490500	Handle Bracket			2
B230	EP600230	Bind Head Tapping Screw-B	3.0X6 MFZN2BL		12 01
B240	V8291500	Coil	4.4mH	J,H,B,W,A,K	
* B240	V9094700	Coil	5.4mH	U,V	
B250	EP600230	Bind Head Tapping Screw-B	3.0X6 MFZN2BL		2 01
B260	--	AC Shield		(V842710)	
B270	V8098800	Angle Bracket, AC Inlet			01
B280	--	Transformer Cover		(V765040)	
		PANEL ASSEMBLY			
	--	Panel Assembly		EMX5000-20 (V849390)	
	--	Panel Assembly		EMX5000-12 (V848240)	
* MFA12060		Card Cable	12P 60MM P=1.0	EMX5000-20	4 01
* MFA12060		Card Cable	12P 60mm P=1.0	EMX5000-12	2 01
* V8502500		Connector Assembly	24185&2426 15P370L		
* V8502600		Connector Assembly	24185&2426 2P 400L		
	--	FFC Cable	BNCDP=1.25K-35-110	(V910530)	
* P10	V8420500	Control Panel		EMX5000-20	
* P10	V8420400	Control Panel		EMX5000-12	
* P20	V8427300	LED Cover			
* P30	V8267400	Circuit Board	IN8		
* P35	V9093100	Circuit Board	IN16	EMX5000-20	
P36	--	Angle Bracket	SLIDE VR	EMX5000-20 (V914040)	3
P36	--	Angle Bracket	SLIDE VR	EMX5000-12 (V914040)	2
* P37	V9285700	Bind Head Screw	2.0X4 MFZN2Y SP	EMX5000-20	24
* P37	V9285700	Bind Head Screw	2.0X4 MFZN2Y SP	EMX5000-12	16
* P38	V9156000	Screw	3X6 MFZNBL	EMX5000-20	9
* P38	V9156000	Screw	3X6 MFZNBL	EMX5000-12	6
P39	--	LED Spacer		EMX5000-20 (V929180)	2
P39	--	LED Spacer		EMX5000-12 (V929180)	1
* P40	V8267500	Circuit Board	MAS		
P50	V3291600	PCB Support	NEW NIFCO	EMX5000-20	29 01
P50	V3291600	PCB Support	NEW NIFCO	EMX5000-12	20 01
P60	V3289800	Screw	3X25 MFZNBL	EMX5000-20	29 01
P60	V3289800	Screw	3X25 MFZNBL	EMX5000-12	20 01
P70	VN413300	Bonding Tapping Screw-B	3.0X8 MFZN2BL	EMX5000-20	36 01
P70	VN413300	Bonding Tapping Screw-B	3.0X8 MFZN2BL	EMX5000-12	20 01
P80	--	Shield Sheet	MAIN	(V842320)	
P80a	--	Shield Sheet	SUB V	(V928030)	
P80b	--	Shield Sheet	SUB H	(V928040)	
P90	EP600230	Bind Head Tapping Screw-B	3.0X6 MFZN2BL		6 01
P100	V6225600	Knob	L-GRAY/M-GRAY	EMX5000-20	57 01
				GAIN(CH1-16,17/18,19/20), EFF1(CH1-16,17/18,19/20), EFF2(CH1-16,17/18,19/20),	

*: New Parts

RANK: Japan only

REF NO.	PART NO.	DESCRIPTION		REMARKS	QTY	RANK
P100	V6225600	Knob	L-GRAY/M-GRAY	PARAMETER (EFFECT1 RTN,EFFECT2 RTN) PHONES EMX5000-12 GAIN(CH1-12),EFF1(CH1-12), EFF2(CH1-12),PARAMETER (EFFECT1 RTN,EFFECT2 RTN), PHONES)	33	01
P110	V6225300	Knob	GREEN/M-GRAY	EMX5000-20 HIGH(CH1-16,17/18,19/20), MID-(CH1-16), MID(CH1-16,17/18,19/20), LOW(CH1-16,17/18,19/20)	72	01
P110	V6225300	Knob	GREEN/M-GRAY	EMX5000-12 HIGH(CH1-12),MID-(CH1-8) MID(CH1-12),LOW(CH1-12)	38	01 01
P120	V6225400	Knob	BLUE/M-GRAY	EMX5000-20 AUX1-2(CH1-16,17/18,19/20, EFFECT1 RTN,EFFECT2 RTN, ST SUB IN1,ST SUB IN2)	44	01
P120	V6225400	Knob	BLUE/M-GRAY	EMX5000-12 AUX1-2(CH1-12,EFFECT1 RTN, EFFECT2 RTN,ST SUB IN1/ST SUB IN2)	28	01 01
P130	V6225500	Knob	RED/M-GRAY	EMX5000-20 IN1 PAN(CH1-16,17/18,19/20), ST(ST SUB IN1,ST SUB IN2, 2TR IN),ST SU OUT	22	01
P130	V6225500	Knob	RED/M-GRAY	EMX5000-12 PAN(CH1-12),ST(ST SUB IN1 /ST SUB IN2/2TR IN),ST SU OUT	14	01
P140	V6225700	Knob	L-GRAY/D-GRAY	PROGRAM(EFFCT1,EFFCT2)	2	01
P150	V2947000	Fader Knob	BLACK/N-GRAY	EMX5000-20 FADER(CH1-20)	18	01
P150	V2947000	Fader Knob	BLACK/N-GRAY	EMX5000-12 FADER(CH1-12)	10	01
P160	V6623300	Fader Knob	D-RED/CD-GRAY	FADER(EFFECT1 RTN,EFFECT2 RTN,AUX1,AUX2)	4	01
P170	V7369500	Fader Knob	N-GRAY/BLACK	FADER(MONO OUT)		01
P180	V6623400	Fader Knob	N-GRAY/D-RED	FADER(ST OUT)		01
P190	--	Label		(V385110)		
* P210	AAX33240	Circuit Board	DSP-SPX	(V826730,X2259A0)		
* P220	EP600230	Bind Head Tapping Screw-B	3.0X6 MFZN2BL		4	01
P230	V8273100	Mute Guard				
P240	VZ765100	Cord Binder	TS-0708 KSS			02
		ACCESSORIES		EMX5000-20/12		
⚠	V7240300	AC Cord	J VCTF 0.75X3	J		
⚠	V6284300	AC Cord	UC SJT#18X3	U,V		05
⚠	V6284400	AC Cord	E H05VV-FX3 0.75	H,W,B,K		06
⚠	V6283900	AC Cord	BS H05VV-F3X0.75	B		08

*: New Parts

RANK: Japan only

ELECTRICAL PARTS

REF NO.	PART NO.	DESCRIPTION		REMARKS	QTY	RANK
		ELECTRICAL PARTS				
*	AAX33240	Circuit Board	DSP-SPX PRESTO	(V826730,X2259B0)		
*	V8267400	Circuit Board	IN8	(X0655B0)		
*	V9093100	Circuit Board	IN16	EMX5000-20 (X0655B0)		
*	V8267500	Circuit Board	MAS	(X0656B0)		
*	V8269600	Circuit Board	PWR	(X0626B0)		
*	AAX33190	Circuit Board	SMPS 1/2	J (V826930,X0627B0)		
*	AAX33200	Circuit Board	SMPS 1/2	U,V (V826940,X0627B0)		
*	AAX33210	Circuit Board	SMPS 1/2	H,B,W,K (V826950,X0627B0)		
*	AAX71680	Circuit Board	SMPS 1/2	A (X848520,X0627B0)		
*	AAX74520	Circuit Board	SMPS 2/2	J (V826930,X0627B0)		
*	AAX74530	Circuit Board	SMPS 2/2	U,V (V826940,X0627B0)		
*	AAX33230	Circuit Board	SMPS 2/2	H,B,W,K (V826950,X0627B0)		
*	AAX33250	Circuit Board	SMPS 2/2	A (V848520,X0627B0)		
	AAX33240	Circuit Board	DSP-SPX	(V826730,X2259B0)		
C101	UX145100	Ceramic Capacitor (Chip)	0.1000 25V Z			01
C102	UX145100	Ceramic Capacitor (Chip)	0.1000 25V Z			01
C103	UR847470	Electrolytic Cap.	47.00 25.0V			01
C104	UX145100	Ceramic Capacitor (Chip)	0.1000 25V Z			01
-108	UX145100	Ceramic Capacitor (Chip)	0.1000 25V Z			01
C109	UA954470	Mylar Capacitor	0.0470 50V J			01
C110	UR847470	Electrolytic Cap.	47.00 25.0V			01
C111	UR847470	Electrolytic Cap.	47.00 25.0V			01
C113	UR838100	Electrolytic Cap.	100.00 16.0V			01
C114	UR838100	Electrolytic Cap.	100.00 16.0V			01
C116	UX145100	Ceramic Capacitor (Chip)	0.1000 25V Z			01
C117	UX145100	Ceramic Capacitor (Chip)	0.1000 25V Z			01
C119	UX145100	Ceramic Capacitor (Chip)	0.1000 25V Z			01
C120	UX062100	Ceramic Capacitor (Chip)	100P 50V J			01
C121	UX064100	Ceramic Capacitor (Chip)	0.0100 50V K			01
C122	UX064100	Ceramic Capacitor (Chip)	0.0100 50V K			01
-135	UX064100	Ceramic Capacitor (Chip)	0.0100 50V K			01
C136	UR847100	Electrolytic Cap.	10.00 25.0V			01
C137	UX145100	Ceramic Capacitor (Chip)	0.1000 25V Z			01
C138	UX061220	Ceramic Capacitor (Chip)	22P 50V J			01
C139	UX061220	Ceramic Capacitor (Chip)	22P 50V J			01
C140	UR847100	Electrolytic Cap.	10.00 25.0V			01
-143	UR847100	Electrolytic Cap.	10.00 25.0V			01
C144	UX062100	Ceramic Capacitor (Chip)	100P 50V J			01
C145	UX145100	Ceramic Capacitor (Chip)	0.1000 25V Z			01
C146	UX062100	Ceramic Capacitor (Chip)	100P 50V J			01
C147	UX145100	Ceramic Capacitor (Chip)	0.1000 25V Z			01
C148	UX062100	Ceramic Capacitor (Chip)	100P 50V J			01
C149	UX062100	Ceramic Capacitor (Chip)	100P 50V J			01
C150	UA953150	Mylar Capacitor	1500P 50V J			01
C151	UA953150	Mylar Capacitor	1500P 50V J			01
C152	UR866100	Electrolytic Cap.	1.00 50.0V			01
C153	UR847470	Electrolytic Cap.	47.00 25.0V			01
C154	UR847470	Electrolytic Cap.	47.00 25.0V			01
C155	UX061470	Ceramic Capacitor (Chip)	47P 50V J			01
C156	UX061470	Ceramic Capacitor (Chip)	47P 50V J			01
C157	UX062100	Ceramic Capacitor (Chip)	100P 50V J			01
C158	UX062100	Ceramic Capacitor (Chip)	100P 50V J			01
C159	UR847100	Electrolytic Cap.	10.00 25.0V			01
-161	UR847100	Electrolytic Cap.	10.00 25.0V			01
C162	UX145100	Ceramic Capacitor (Chip)	0.1000 25V Z			01
-164	UX145100	Ceramic Capacitor (Chip)	0.1000 25V Z			01
C165	UR847100	Electrolytic Cap.	10.00 25.0V			01
C166	UR847100	Electrolytic Cap.	10.00 25.0V			01
C167	UX145100	Ceramic Capacitor (Chip)	0.1000 25V Z			01
-169	UX145100	Ceramic Capacitor (Chip)	0.1000 25V Z			01
C170	UR838100	Electrolytic Cap.	100.00 16.0V			01
C171	UX145100	Ceramic Capacitor (Chip)	0.1000 25V Z			01
-174	UX145100	Ceramic Capacitor (Chip)	0.1000 25V Z			01
C175	UR838100	Electrolytic Cap.	100.00 16.0V			01
C176	UX145100	Ceramic Capacitor (Chip)	0.1000 25V Z			01
-185	UX145100	Ceramic Capacitor (Chip)	0.1000 25V Z			01
C187	UX145100	Ceramic Capacitor (Chip)	0.1000 25V Z			01
C188	UX145100	Ceramic Capacitor (Chip)	0.1000 25V Z			01

*: New Parts

RANK: Japan only

REF NO.	PART NO.	DESCRIPTION		REMARKS	QTY	RANK
C189	UR838100	Electrolytic Cap.	100.00 16.0V			01
C190	UX145100	Ceramic Capacitor (Chip)	0.1000 25V Z			01
-200	UX145100	Ceramic Capacitor (Chip)	0.1000 25V Z			01
C201	UX063100	Ceramic Capacitor (Chip)	1000P 50V K			01
C202	UX063100	Ceramic Capacitor (Chip)	1000P 50V K			01
C203	UR866100	Electrolytic Cap.	1.00 50.0V			01
C204	UR866100	Electrolytic Cap.	1.00 50.0V			01
C205	UR847100	Electrolytic Cap.	10.00 25.0V			01
C206	UR847100	Electrolytic Cap.	10.00 25.0V			01
C301	UX064100	Ceramic Capacitor (Chip)	0.0100 50V K			01
-309	UX145100	Ceramic Capacitor (Chip)	0.1000 25V Z			01
C340	UR847100	Electrolytic Cap.	10.00 25.0V			01
-343	UR847100	Electrolytic Cap.	10.00 25.0V			01
C344	UX062100	Ceramic Capacitor (Chip)	100P 50V J			01
C345	UX145100	Ceramic Capacitor (Chip)	0.1000 25V Z			01
C346	UX062100	Ceramic Capacitor (Chip)	100P 50V J			01
C347	UX145100	Ceramic Capacitor (Chip)	0.1000 25V Z			01
C348	UX062100	Ceramic Capacitor (Chip)	100P 50V J			01
C349	UX062100	Ceramic Capacitor (Chip)	100P 50V J			01
C350	UA953150	Mylar Capacitor	1500P 50V J			01
C351	UA953150	Mylar Capacitor	1500P 50V J			01
C353	UR847470	Electrolytic Cap.	47.00 25.0V			01
C354	UR847470	Electrolytic Cap.	47.00 25.0V			01
C355	UX061470	Ceramic Capacitor (Chip)	47P 50V J			01
C356	UX061470	Ceramic Capacitor (Chip)	47P 50V J			01
C357	UX062100	Ceramic Capacitor (Chip)	100P 50V J			01
C358	UX062100	Ceramic Capacitor (Chip)	100P 50V J			01
C359	UR847100	Electrolytic Cap.	10.00 25.0V			01
-361	UR847100	Electrolytic Cap.	10.00 25.0V			01
C362	UX145100	Ceramic Capacitor (Chip)	0.1000 25V Z			01
-364	UX145100	Ceramic Capacitor (Chip)	0.1000 25V Z			01
C365	UR847100	Electrolytic Cap.	10.00 25.0V			01
C366	UR847100	Electrolytic Cap.	10.00 25.0V			01
C367	UX145100	Ceramic Capacitor (Chip)	0.1000 25V Z			01
CN101	VQ046400	Connector , FFC	52044 35P SE			01
CN104	VV066500	Connector Base Post	M2426XX 5P TE			01
EM101	VV056900	Noise Filter	ZJSR5101-223TA			01
-105	VV056900	Noise Filter	ZJSR5101-223TA			01
IC101	XU965A00	IC	UPC29M33T-E1	RAGULATOR +3.3V		03
IC102	XY650A00	IC	PST595CMT	SYSTEM RESET		03
IC103	XG948E00	IC	YM3436DK	DIR2		11
IC104	XZ110A00	IC	74HCU04DT	INVERTER		01
IC105	XJ553A00	IC	NJM2068MD-T1	OP AMP		02
-107	XJ553A00	IC	NJM2068MD-T1	OP AMP		02
IC108	XW008A00	IC	AK4522VF-E2	CONVERTER		07
* IC109	X2416A00	IC	M30622MCA-XXXFP	CPU		08
IC110	XT160A00	IC	93LC56T-I/SN	EP-ROM 2K		03
IC111	XZ108A00	IC	74HC08DT	AND		01
IC112	XV988A00	IC	YSS910-S	DSP6		10
IC113	XT810B00	IC	MSM514260E-60TS-K	ROM 4M		07
IC114	XT810B00	IC	MSM514260E-60TS-K	ROM 4M		07
IC305	XJ553A00	IC	NJM2068MD-T1	OP AMP		02
-307	XJ553A00	IC	NJM2068MD-T1	OP AMP		02
IC308	XW008A00	IC	AK4522VF-E2	CONVERTER		07
L101	GE300670	Ferrite Bead	BL02RN2-R62T4			02
-107	GE300670	Ferrite Bead	BL02RN2-R62T4			02
L110	V3063400	Chip Inductance	BLM18BD601SN1D			01
-140	V3063400	Chip Inductance	BLM18BD601SN1D			01
L302	GE300670	Ferrite Bead	BL02RN2-R62T4			02
L330	V3063400	Chip Inductance	BLM18BD601SN1D			01
-332	V3063400	Chip Inductance	BLM18BD601SN1D			01
L339	V3063400	Chip Inductance	BLM18BD601SN1D			01
L340	V3063400	Chip Inductance	BLM18BD601SN1D			01
Q101	VV655000	Digital Transistor	DTA114EKA TP			01
Q102	VV655400	Digital Transistor	DTC114EKA TP			01
Q103	VD303700	Transistor	2SC3326 A,B TE85R			01
Q104	VD303700	Transistor	2SC3326 A,B TE85R			01
Q105	VV655000	Digital Transistor	DTA114EKA TP			01
-107	VV655000	Digital Transistor	DTA114EKA TP			01
Q303	VD303700	Transistor	2SC3326 A,B TE85R			01

*: New Parts

RANK: Japan only

REF NO.	PART NO.	DESCRIPTION	REMARKS	QTY	RANK
Q304	VD303700	Transistor	2SC3326 A,B TE85R		01
R101	RG000000	Carbon Resistor (chip)	0 0.1 J		
R102	RG000000	Carbon Resistor (chip)	0 0.1 J		
R107	RG006330	Carbon Resistor (chip)	3.3K 0.1 J		
R108	RG005470	Carbon Resistor (chip)	470 0.1 J		
R109	RG005100	Carbon Resistor (chip)	100 0.1 J		
R111	RG009100	Carbon Resistor (chip)	1.0M 0.1 J		
R112	RG007100	Carbon Resistor (chip)	10K 0.1 J		
-124	RG007100	Carbon Resistor (chip)	10K 0.1 J		
R125	RG006100	Carbon Resistor (chip)	1.0K 0.1 J		
-134	RG006100	Carbon Resistor (chip)	1.0K 0.1 J		
R135	RG004100	Carbon Resistor (chip)	10 0.1 J		
R136	RG006100	Carbon Resistor (chip)	1.0K 0.1 J		
-139	RG006100	Carbon Resistor (chip)	1.0K 0.1 J		
R141	RG009100	Carbon Resistor (chip)	1.0M 0.1 J		
R142	RG005100	Carbon Resistor (chip)	100 0.1 J		
R143	RG007220	Carbon Resistor (chip)	22K 0.1 J		
R144	RG007220	Carbon Resistor (chip)	22K 0.1 J		
R145	RG006470	Carbon Resistor (chip)	4.7K 0.1 J		
R146	RG004330	Carbon Resistor (chip)	33 0.1 J		
R147	RG006470	Carbon Resistor (chip)	4.7K 0.1 J		
R148	RG006470	Carbon Resistor (chip)	4.7K 0.1 J		
R149	RG004330	Carbon Resistor (chip)	33 0.1 J		
R150	RG006470	Carbon Resistor (chip)	4.7K 0.1 J		
R151	RG006330	Carbon Resistor (chip)	3.3K 0.1 J		
R152	RG006330	Carbon Resistor (chip)	3.3K 0.1 J		
R153	RG006470	Carbon Resistor (chip)	4.7K 0.1 J		
-156	RG006470	Carbon Resistor (chip)	4.7K 0.1 J		
* R157	RG005330	Carbon Resistor (chip)	330 0.1 J		
* -160	RG005330	Carbon Resistor (chip)	330 0.1 J		
R161	RG007100	Carbon Resistor (chip)	10K 0.1 J		
R162	RG007100	Carbon Resistor (chip)	10K 0.1 J		
R163	RG008100	Carbon Resistor (chip)	100K 0.1 J		
-166	RG008100	Carbon Resistor (chip)	100K 0.1 J		
R167	RG006100	Carbon Resistor (chip)	1.0K 0.1 J		
-169	RG006100	Carbon Resistor (chip)	1.0K 0.1 J		
R170	RG007100	Carbon Resistor (chip)	10K 0.1 J		
R171	RG007100	Carbon Resistor (chip)	10K 0.1 J		
* R172	RG006120	Carbon Resistor (chip)	1.2K 0.1 J		
* R173	RG006120	Carbon Resistor (chip)	1.2K 0.1 J		
R174	RG007100	Carbon Resistor (chip)	10K 0.1 J		
* R175	RG006120	Carbon Resistor (chip)	1.2K 0.1 J		
* R176	RG006120	Carbon Resistor (chip)	1.2K 0.1 J		
R178	RG203470	Carbon Resistor (chip)	4.7 1/4 J		
R179	RG007100	Carbon Resistor (chip)	10K 0.1 J		
-181	RG007100	Carbon Resistor (chip)	10K 0.1 J		
R183	RG007100	Carbon Resistor (chip)	10K 0.1 J		
R186	RG006560	Carbon Resistor (chip)	5.6K 0.1 J		
R187	RG007100	Carbon Resistor (chip)	10K 0.1 J		
-189	RG007100	Carbon Resistor (chip)	10K 0.1 J		
R190	RG009100	Carbon Resistor (chip)	1.0M 0.1 J		
R191	RG000000	Carbon Resistor (chip)	0 0.1 J		
R192	RG007100	Carbon Resistor (chip)	10K 0.1 J		
R193	RG005100	Carbon Resistor (chip)	100 0.1 J		
R194	RG005100	Carbon Resistor (chip)	100 0.1 J		
R195	RG007100	Carbon Resistor (chip)	10K 0.1 J		
R196	RG005100	Carbon Resistor (chip)	100 0.1 J		
R201	RG007100	Carbon Resistor (chip)	10K 0.1 J		
-234	RG007100	Carbon Resistor (chip)	10K 0.1 J		
R237	RG000000	Carbon Resistor (chip)	0 0.1 J		
R301	RG007100	Carbon Resistor (chip)	10K 0.1 J		
R302	RG004100	Carbon Resistor (chip)	10 0.1 J		
R303	RG006100	Carbon Resistor (chip)	1.0K 0.1 J		
R304	RG006100	Carbon Resistor (chip)	1.0K 0.1 J		
R305	RG000000	Carbon Resistor (chip)	0 0.1 J		
-308	RG000000	Carbon Resistor (chip)	0 0.1 J		
R343	RG007220	Carbon Resistor (chip)	22K 0.1 J		
R344	RG007220	Carbon Resistor (chip)	22K 0.1 J		
R345	RG006470	Carbon Resistor (chip)	4.7K 0.1 J		
R346	RG004330	Carbon Resistor (chip)	33 0.1 J		

*: New Parts

RANK: Japan only

REF NO.	PART NO.	DESCRIPTION		REMARKS	QTY	RANK
R347	RG006470	Carbon Resistor (chip)	4.7K 0.1 J			
R348	RG006470	Carbon Resistor (chip)	4.7K 0.1 J			
R349	RG004330	Carbon Resistor (chip)	33 0.1 J			
R350	RG006470	Carbon Resistor (chip)	4.7K 0.1 J			
R351	RG006330	Carbon Resistor (chip)	3.3K 0.1 J			
R352	RG006330	Carbon Resistor (chip)	3.3K 0.1 J			
R353	RG006470	Carbon Resistor (chip)	4.7K 0.1 J			
-356	RG006470	Carbon Resistor (chip)	4.7K 0.1 J			
* R357	RG005330	Carbon Resistor (chip)	330 0.1 J			
* -360	RG005330	Carbon Resistor (chip)	330 0.1 J			
R361	RG007100	Carbon Resistor (chip)	10K 0.1 J			
R362	RG007100	Carbon Resistor (chip)	10K 0.1 J			
R363	RG008100	Carbon Resistor (chip)	100K 0.1 J			
-366	RG008100	Carbon Resistor (chip)	100K 0.1 J			
R368	RG006100	Carbon Resistor (chip)	1.0K 0.1 J			
R369	RG006100	Carbon Resistor (chip)	1.0K 0.1 J			
R370	RG007100	Carbon Resistor (chip)	10K 0.1 J			
R371	RG007100	Carbon Resistor (chip)	10K 0.1 J			
* R372	RG006120	Carbon Resistor (chip)	1.2K 0.1 J			
* R373	RG006120	Carbon Resistor (chip)	1.2K 0.1 J			
* R375	RG006120	Carbon Resistor (chip)	1.2K 0.1 J			
* R376	RG006120	Carbon Resistor (chip)	1.2K 0.1 J			
R378	RG203470	Carbon Resistor (chip)	4.7 1/4 J			
X101	VY891500	Quartz Crystal Unit	12.288 SMD-49			03
X102	V3811500	Ceramic Resonator	16.00M CSTCV16.0			01
X103	V3743900	Ceramic Resonator	30.00M CSTCV30M0			02
* V8267400		Circuit Board	IN8	(X0655B0)		
V4467500		Button	CD-GRAY/WHITE	PLF(CH1-8),AUX1(CH1-8),AU	40	01
				X2(CH1-8),GAIN 0dB(CH1-8)	40	01
				GAIN 26dB(CH1-8)	40	01
	VV307300	LED Spacer			25	01
	VZ968600	Button	NO.947 CD-GRAY	CH ON(CH1-8)	8	01
	--	Jumper Wire	0.60	(VV29140)	319	01
	--	Jumper Wire	0.60 TP	(V829020)	21	01
C101	VV488800	Electrolytic Cap.-LLM	10.00 50.0V			01
C102	VV488800	Electrolytic Cap.-LLM	10.00 50.0V			01
C103	UR847100	Electrolytic Cap.	10.00 25.0V			01
C104	UR847100	Electrolytic Cap.	10.00 25.0V			01
* C105	UX062820	Ceramic Capacitor (Chip)	820P 50V K			
* -107	UX062820	Ceramic Capacitor (Chip)	820P 50V K			
C108	UX061100	Ceramic Capacitor (Chip)	10P 50V D			01
C109	UR828470	Electrolytic Cap.	470.00 10.0V			01
* C110	UX062820	Ceramic Capacitor (Chip)	820P 50V K			
C111	UX061100	Ceramic Capacitor (Chip)	10P 50V D			01
C112	UX062470	Ceramic Capacitor (Chip)	470P 50V J			
C113	UX061330	Ceramic Capacitor (Chip)	33P 50V J			
C114	UR847100	Electrolytic Cap.	10.00 25.0V			01
C115	VZ597300	Mylar Capacitor	0.091 50V J			01
C116	VZ597300	Mylar Capacitor	0.091 50V J			01
C117	UX062100	Ceramic Capacitor (Chip)	100P 50V J			01
C118	UR847100	Electrolytic Cap.	10.00 25.0V			01
C119	UR847100	Electrolytic Cap.	10.00 25.0V			01
C120	UA954390	Mylar Capacitor	0.0390 50V J			01
C121	VV190000	Mylar Capacitor	820P 50V J			01
C122	UX061470	Ceramic Capacitor (Chip)	47P 50V J			
C123	UX062100	Ceramic Capacitor (Chip)	100P 50V J			01
C124	UA953390	Mylar Capacitor	3900P 50V J			01
C125	UX062100	Ceramic Capacitor (Chip)	100P 50V J			01
C126	UA954100	Mylar Capacitor	0.0100 50V J			01
C127	UX061220	Ceramic Capacitor (Chip)	22P 50V J			01
C128	UR847470	Electrolytic Cap.	47.00 25.0V			01
C129	UR847100	Electrolytic Cap.	10.00 25.0V			01
C130	UX063100	Ceramic Capacitor (Chip)	1000P 50V K			01
C131	UR866470	Electrolytic Cap.	4.70 50.0V			01
C132	UX062100	Ceramic Capacitor (Chip)	100P 50V J			01
-134	UX062100	Ceramic Capacitor (Chip)	100P 50V J			01
C135	UR847470	Electrolytic Cap.	47.00 25.0V			01
C136	UR866470	Electrolytic Cap.	4.70 50.0V			01
C137	UR847100	Electrolytic Cap.	10.00 25.0V			01

*: New Parts

RANK: Japan only

REF NO.	PART NO.	DESCRIPTION		REMARKS	QTY	RANK
C138	UX062100	Ceramic Capacitor (Chip)	100P 50V J			01
C139	UX062100	Ceramic Capacitor (Chip)	100P 50V J			01
C140	UX061470	Ceramic Capacitor (Chip)	47P 50V J			
C141	UR847470	Electrolytic Cap.	47.00 25.0V			01
C142	UR877100	Electrolytic Cap.	10.00 63.0V			01
C143	UX064100	Ceramic Capacitor (Chip)	0.0100 50V K			01
-156	UX064100	Ceramic Capacitor (Chip)	0.0100 50V K			01
C201	VV488800	Electrolytic Cap.-LLM	10.00 50.0V			01
C202	VV488800	Electrolytic Cap.-LLM	10.00 50.0V			01
C203	UR847100	Electrolytic Cap.	10.00 25.0V			01
C204	UR847100	Electrolytic Cap.	10.00 25.0V			01
* C205	UX062820	Ceramic Capacitor (Chip)	820P 50V K			
* -207	UX062820	Ceramic Capacitor (Chip)	820P 50V K			
C208	UX061100	Ceramic Capacitor (Chip)	10P 50V D			01
C209	UR828470	Electrolytic Cap.	470.00 10.0V			01
* C210	UX062820	Ceramic Capacitor (Chip)	820P 50V K			
C211	UX061100	Ceramic Capacitor (Chip)	10P 50V D			01
C212	UX062470	Ceramic Capacitor (Chip)	470P 50V J			
C213	UX061330	Ceramic Capacitor (Chip)	33P 50V J			
C214	UR847100	Electrolytic Cap.	10.00 25.0V			01
C215	VZ597300	Mylar Capacitor	0.091 50V J			01
C216	VZ597300	Mylar Capacitor	0.091 50V J			01
C217	UX062100	Ceramic Capacitor (Chip)	100P 50V J			01
C218	UR847100	Electrolytic Cap.	10.00 25.0V			01
C219	UR847100	Electrolytic Cap.	10.00 25.0V			01
C220	UA954390	Mylar Capacitor	0.0390 50V J			01
C221	VV190000	Mylar Capacitor	820P 50V J			01
C222	UX061470	Ceramic Capacitor (Chip)	47P 50V J			
C223	UX062100	Ceramic Capacitor (Chip)	100P 50V J			01
C224	UA953390	Mylar Capacitor	3900P 50V J			01
C225	UX062100	Ceramic Capacitor (Chip)	100P 50V J			01
C226	UA954100	Mylar Capacitor	0.0100 50V J			01
C227	UX061220	Ceramic Capacitor (Chip)	22P 50V J			01
C228	UR847470	Electrolytic Cap.	47.00 25.0V			01
C229	UR847100	Electrolytic Cap.	10.00 25.0V			01
C230	UX063100	Ceramic Capacitor (Chip)	1000P 50V K			01
C231	UR866470	Electrolytic Cap.	4.70 50.0V			01
C232	UX062100	Ceramic Capacitor (Chip)	100P 50V J			01
-234	UX062100	Ceramic Capacitor (Chip)	100P 50V J			01
C235	UR847470	Electrolytic Cap.	47.00 25.0V			01
C236	UR866470	Electrolytic Cap.	4.70 50.0V			01
C237	UR847100	Electrolytic Cap.	10.00 25.0V			01
C238	UX062100	Ceramic Capacitor (Chip)	100P 50V J			01
C239	UX062100	Ceramic Capacitor (Chip)	100P 50V J			01
C240	UX061470	Ceramic Capacitor (Chip)	47P 50V J			
C241	UR847470	Electrolytic Cap.	47.00 25.0V			01
C242	UX064100	Ceramic Capacitor (Chip)	0.0100 50V K			01
C243	UX064100	Ceramic Capacitor (Chip)	0.0100 50V K			01
C301	VV488800	Electrolytic Cap.-LLM	10.00 50.0V			01
C302	VV488800	Electrolytic Cap.-LLM	10.00 50.0V			01
C303	UR847100	Electrolytic Cap.	10.00 25.0V			01
C304	UR847100	Electrolytic Cap.	10.00 25.0V			01
* C305	UX062820	Ceramic Capacitor (Chip)	820P 50V K			
* -307	UX062820	Ceramic Capacitor (Chip)	820P 50V K			
C308	UX061100	Ceramic Capacitor (Chip)	10P 50V D			01
C309	UR828470	Electrolytic Cap.	470.00 10.0V			01
* C310	UX062820	Ceramic Capacitor (Chip)	820P 50V K			
C311	UX061100	Ceramic Capacitor (Chip)	10P 50V D			01
C312	UX062470	Ceramic Capacitor (Chip)	470P 50V J			
C313	UX061330	Ceramic Capacitor (Chip)	33P 50V J			
C314	UR847100	Electrolytic Cap.	10.00 25.0V			01
C315	VZ597300	Mylar Capacitor	0.091 50V J			01
C316	VZ597300	Mylar Capacitor	0.091 50V J			01
C317	UX062100	Ceramic Capacitor (Chip)	100P 50V J			01
C318	UR847100	Electrolytic Cap.	10.00 25.0V			01
C319	UR847100	Electrolytic Cap.	10.00 25.0V			01
C320	UA954390	Mylar Capacitor	0.0390 50V J			01
C321	VV190000	Mylar Capacitor	820P 50V J			01
C322	UX061470	Ceramic Capacitor (Chip)	47P 50V J			
C323	UX062100	Ceramic Capacitor (Chip)	100P 50V J			01

*: New Parts

RANK: Japan only

REF NO.	PART NO.	DESCRIPTION		REMARKS	QTY	RANK
C324	UA953390	Mylar Capacitor	3900P 50V J			01
C325	UX062100	Ceramic Capacitor (Chip)	100P 50V J			01
C326	UA954100	Mylar Capacitor	0.0100 50V J			01
C327	UX061220	Ceramic Capacitor (Chip)	22P 50V J			01
C328	UR847470	Electrolytic Cap.	47.00 25.0V			01
C329	UR847100	Electrolytic Cap.	10.00 25.0V			01
C330	UX063100	Ceramic Capacitor (Chip)	1000P 50V K			01
C331	UR866470	Electrolytic Cap.	4.70 50.0V			01
C332	UX062100	Ceramic Capacitor (Chip)	100P 50V J			01
C333	UX062100	Ceramic Capacitor (Chip)	100P 50V J			01
C334	UX062100	Ceramic Capacitor (Chip)	100P 50V J			01
C335	UR847470	Electrolytic Cap.	47.00 25.0V			01
C336	UR866470	Electrolytic Cap.	4.70 50.0V			01
C337	UR847100	Electrolytic Cap.	10.00 25.0V			01
C338	UX062100	Ceramic Capacitor (Chip)	100P 50V J			01
C339	UX062100	Ceramic Capacitor (Chip)	100P 50V J			01
C340	UX061470	Ceramic Capacitor (Chip)	47P 50V J			01
C341	UR847470	Electrolytic Cap.	47.00 25.0V			01
C342	UX064100	Ceramic Capacitor (Chip)	0.0100 50V K			01
-355	UX064100	Ceramic Capacitor (Chip)	0.0100 50V K			01
C401	VV488800	Electrolytic Cap.-LLM	10.00 50.0V			01
C402	VV488800	Electrolytic Cap.-LLM	10.00 50.0V			01
C403	UR847100	Electrolytic Cap.	10.00 25.0V			01
C404	UR847100	Electrolytic Cap.	10.00 25.0V			01
* C405	UX062820	Ceramic Capacitor (Chip)	820P 50V K			01
* -407	UX062820	Ceramic Capacitor (Chip)	820P 50V K			01
C408	UX061100	Ceramic Capacitor (Chip)	10P 50V D			01
C409	UR828470	Electrolytic Cap.	470.00 10.0V			01
* C410	UX062820	Ceramic Capacitor (Chip)	820P 50V K			01
C411	UX061100	Ceramic Capacitor (Chip)	10P 50V D			01
C412	UX062470	Ceramic Capacitor (Chip)	470P 50V J			01
C413	UX061330	Ceramic Capacitor (Chip)	33P 50V J			01
C414	UR847100	Electrolytic Cap.	10.00 25.0V			01
C415	VZ597300	Mylar Capacitor	0.091 50V J			01
C416	VZ597300	Mylar Capacitor	0.091 50V J			01
C417	UX062100	Ceramic Capacitor (Chip)	100P 50V J			01
C418	UR847100	Electrolytic Cap.	10.00 25.0V			01
C419	UR847100	Electrolytic Cap.	10.00 25.0V			01
C420	UA954390	Mylar Capacitor	0.0390 50V J			01
C421	VV190000	Mylar Capacitor	820P 50V J			01
C422	UX061470	Ceramic Capacitor (Chip)	47P 50V J			01
C423	UX062100	Ceramic Capacitor (Chip)	100P 50V J			01
C424	UA953390	Mylar Capacitor	3900P 50V J			01
C425	UX062100	Ceramic Capacitor (Chip)	100P 50V J			01
C426	UA954100	Mylar Capacitor	0.0100 50V J			01
C427	UX061220	Ceramic Capacitor (Chip)	22P 50V J			01
C428	UR847470	Electrolytic Cap.	47.00 25.0V			01
C429	UR847100	Electrolytic Cap.	10.00 25.0V			01
C430	UX063100	Ceramic Capacitor (Chip)	1000P 50V K			01
C431	UR866470	Electrolytic Cap.	4.70 50.0V			01
C432	UX062100	Ceramic Capacitor (Chip)	100P 50V J			01
C433	UX062100	Ceramic Capacitor (Chip)	100P 50V J			01
C434	UX062100	Ceramic Capacitor (Chip)	100P 50V J			01
C435	UR847470	Electrolytic Cap.	47.00 25.0V			01
C436	UR866470	Electrolytic Cap.	4.70 50.0V			01
C437	UR847100	Electrolytic Cap.	10.00 25.0V			01
C438	UX062100	Ceramic Capacitor (Chip)	100P 50V J			01
C439	UX062100	Ceramic Capacitor (Chip)	100P 50V J			01
C440	UX061470	Ceramic Capacitor (Chip)	47P 50V J			01
C441	UR847470	Electrolytic Cap.	47.00 25.0V			01
C442	UX064100	Ceramic Capacitor (Chip)	0.0100 50V K			01
C443	UX064100	Ceramic Capacitor (Chip)	0.0100 50V K			01
C501	VV488800	Electrolytic Cap.-LLM	10.00 50.0V			01
C502	VV488800	Electrolytic Cap.-LLM	10.00 50.0V			01
C503	UR847100	Electrolytic Cap.	10.00 25.0V			01
C504	UR847100	Electrolytic Cap.	10.00 25.0V			01
* C505	UX062820	Ceramic Capacitor (Chip)	820P 50V K			01
* -507	UX062820	Ceramic Capacitor (Chip)	820P 50V K			01
C508	UX061100	Ceramic Capacitor (Chip)	10P 50V D			01
C509	UR828470	Electrolytic Cap.	470.00 10.0V			01

*: New Parts

RANK: Japan only

REF NO.	PART NO.	DESCRIPTION	REMARKS	QTY	RANK
* C510	UX062820	Ceramic Capacitor (Chip)	820P 50V K		
C511	UX061100	Ceramic Capacitor (Chip)	10P 50V D		01
C512	UX062470	Ceramic Capacitor (Chip)	470P 50V J		
C513	UX061330	Ceramic Capacitor (Chip)	33P 50V J		
C514	UR847100	Electrolytic Cap.	10.00 25.0V		01
C515	VZ597300	Mylar Capacitor	0.091 50V J		01
C516	VZ597300	Mylar Capacitor	0.091 50V J		01
C517	UX062100	Ceramic Capacitor (Chip)	100P 50V J		01
C518	UR847100	Electrolytic Cap.	10.00 25.0V		01
C519	UR847100	Electrolytic Cap.	10.00 25.0V		01
C520	UA954390	Mylar Capacitor	0.0390 50V J		01
C521	VV190000	Mylar Capacitor	820P 50V J		01
C522	UX061470	Ceramic Capacitor (Chip)	47P 50V J		
C523	UX062100	Ceramic Capacitor (Chip)	100P 50V J		01
C524	UA953390	Mylar Capacitor	3900P 50V J		01
C525	UX062100	Ceramic Capacitor (Chip)	100P 50V J		01
C526	UA954100	Mylar Capacitor	0.0100 50V J		01
C527	UX061220	Ceramic Capacitor (Chip)	22P 50V J		01
C528	UR847470	Electrolytic Cap.	47.00 25.0V		01
C529	UR847100	Electrolytic Cap.	10.00 25.0V		01
C530	UX063100	Ceramic Capacitor (Chip)	1000P 50V K		01
C531	UR866470	Electrolytic Cap.	4.70 50.0V		01
C532	UX062100	Ceramic Capacitor (Chip)	100P 50V J		01
C533	UX062100	Ceramic Capacitor (Chip)	100P 50V J		01
C534	UX062100	Ceramic Capacitor (Chip)	100P 50V J		01
C535	UR847470	Electrolytic Cap.	47.00 25.0V		01
C536	UR866470	Electrolytic Cap.	4.70 50.0V		01
C537	UR847100	Electrolytic Cap.	10.00 25.0V		01
C538	UX062100	Ceramic Capacitor (Chip)	100P 50V J		01
C539	UX062100	Ceramic Capacitor (Chip)	100P 50V J		01
C540	UX061470	Ceramic Capacitor (Chip)	47P 50V J		
C541	UR847470	Electrolytic Cap.	47.00 25.0V		01
C542	UR877100	Electrolytic Cap.	10.00 63.0V		01
C543	UX064100	Ceramic Capacitor (Chip)	0.0100 50V K		01
-556	UX064100	Ceramic Capacitor (Chip)	0.0100 50V K		01
C601	VV488800	Electrolytic Cap.-LLM	10.00 50.0V		01
C602	VV488800	Electrolytic Cap.-LLM	10.00 50.0V		01
C603	UR847100	Electrolytic Cap.	10.00 25.0V		01
C604	UR847100	Electrolytic Cap.	10.00 25.0V		01
* C605	UX062820	Ceramic Capacitor (Chip)	820P 50V K		
* -607	UX062820	Ceramic Capacitor (Chip)	820P 50V K		
C608	UX061100	Ceramic Capacitor (Chip)	10P 50V D		01
C609	UR828470	Electrolytic Cap.	470.00 10.0V		01
* C610	UX062820	Ceramic Capacitor (Chip)	820P 50V K		
C611	UX061100	Ceramic Capacitor (Chip)	10P 50V D		01
C612	UX062470	Ceramic Capacitor (Chip)	470P 50V J		
C613	UX061330	Ceramic Capacitor (Chip)	33P 50V J		
C614	UR847100	Electrolytic Cap.	10.00 25.0V		01
C615	VZ597300	Mylar Capacitor	0.091 50V J		01
C616	VZ597300	Mylar Capacitor	0.091 50V J		01
C617	UX062100	Ceramic Capacitor (Chip)	100P 50V J		01
C618	UR847100	Electrolytic Cap.	10.00 25.0V		01
C619	UR847100	Electrolytic Cap.	10.00 25.0V		01
C620	UA954390	Mylar Capacitor	0.0390 50V J		01
C621	VV190000	Mylar Capacitor	820P 50V J		01
C622	UX061470	Ceramic Capacitor (Chip)	47P 50V J		
C623	UX062100	Ceramic Capacitor (Chip)	100P 50V J		01
C624	UA953390	Mylar Capacitor	3900P 50V J		01
C625	UX062100	Ceramic Capacitor (Chip)	100P 50V J		01
C626	UA954100	Mylar Capacitor	0.0100 50V J		01
C627	UX061220	Ceramic Capacitor (Chip)	22P 50V J		01
C628	UR847470	Electrolytic Cap.	47.00 25.0V		01
C629	UR847100	Electrolytic Cap.	10.00 25.0V		01
C630	UX063100	Ceramic Capacitor (Chip)	1000P 50V K		01
C631	UR866470	Electrolytic Cap.	4.70 50.0V		01
C632	UX062100	Ceramic Capacitor (Chip)	100P 50V J		01
-634	UX062100	Ceramic Capacitor (Chip)	100P 50V J		01
C635	UR847470	Electrolytic Cap.	47.00 25.0V		01
C636	UR866470	Electrolytic Cap.	4.70 50.0V		01
C637	UR847100	Electrolytic Cap.	10.00 25.0V		01

*: New Parts

RANK: Japan only

REF NO.	PART NO.	DESCRIPTION		REMARKS	QTY	RANK
C638	UX062100	Ceramic Capacitor (Chip)	100P 50V J			01
C639	UX062100	Ceramic Capacitor (Chip)	100P 50V J			01
C640	UX061470	Ceramic Capacitor (Chip)	47P 50V J			
C641	UR847470	Electrolytic Cap.	47.00 25.0V			01
C642	UX064100	Ceramic Capacitor (Chip)	0.0100 50V K			01
C643	UX064100	Ceramic Capacitor (Chip)	0.0100 50V K			01
C701	VV488800	Electrolytic Cap.-LLM	10.00 50.0V			01
C702	VV488800	Electrolytic Cap.-LLM	10.00 50.0V			01
C703	UR847100	Electrolytic Cap.	10.00 25.0V			01
C704	UR847100	Electrolytic Cap.	10.00 25.0V			01
* C705	UX062820	Ceramic Capacitor (Chip)	820P 50V K			
* C706	UX062820	Ceramic Capacitor (Chip)	820P 50V K			
* C707	UX062820	Ceramic Capacitor (Chip)	820P 50V K			
C708	UX061100	Ceramic Capacitor (Chip)	10P 50V D			01
C709	UR828470	Electrolytic Cap.	470.00 10.0V			01
* C710	UX062820	Ceramic Capacitor (Chip)	820P 50V K			
C711	UX061100	Ceramic Capacitor (Chip)	10P 50V D			01
C712	UX062470	Ceramic Capacitor (Chip)	470P 50V J			
C713	UX061330	Ceramic Capacitor (Chip)	33P 50V J			
C714	UR847100	Electrolytic Cap.	10.00 25.0V			01
C715	VZ597300	Mylar Capacitor	0.091 50V J			01
C716	VZ597300	Mylar Capacitor	0.091 50V J			01
C717	UX062100	Ceramic Capacitor (Chip)	100P 50V J			01
C718	UR847100	Electrolytic Cap.	10.00 25.0V			01
C719	UR847100	Electrolytic Cap.	10.00 25.0V			01
C720	UA954390	Mylar Capacitor	0.0390 50V J			01
C721	VV190000	Mylar Capacitor	820P 50V J			01
C722	UX061470	Ceramic Capacitor (Chip)	47P 50V J			
C723	UX062100	Ceramic Capacitor (Chip)	100P 50V J			01
C724	UA953390	Mylar Capacitor	3900P 50V J			01
C725	UX062100	Ceramic Capacitor (Chip)	100P 50V J			01
C726	UA954100	Mylar Capacitor	0.0100 50V J			01
C727	UX061220	Ceramic Capacitor (Chip)	22P 50V J			01
C728	UR847470	Electrolytic Cap.	47.00 25.0V			01
C729	UR847100	Electrolytic Cap.	10.00 25.0V			01
C730	UX063100	Ceramic Capacitor (Chip)	1000P 50V K			01
C731	UR866470	Electrolytic Cap.	4.70 50.0V			01
C732	UX062100	Ceramic Capacitor (Chip)	100P 50V J			01
-734	UX062100	Ceramic Capacitor (Chip)	100P 50V J			01
C735	UR847470	Electrolytic Cap.	47.00 25.0V			01
C736	UR866470	Electrolytic Cap.	4.70 50.0V			01
C737	UR847100	Electrolytic Cap.	10.00 25.0V			01
C738	UX062100	Ceramic Capacitor (Chip)	100P 50V J			01
C739	UX062100	Ceramic Capacitor (Chip)	100P 50V J			01
C740	UX061470	Ceramic Capacitor (Chip)	47P 50V J			
C741	UR847470	Electrolytic Cap.	47.00 25.0V			01
C742	UX064100	Ceramic Capacitor (Chip)	0.0100 50V K			01
-755	UX064100	Ceramic Capacitor (Chip)	0.0100 50V K			01
C801	VV488800	Electrolytic Cap.-LLM	10.00 50.0V			01
C802	VV488800	Electrolytic Cap.-LLM	10.00 50.0V			01
C803	UR847100	Electrolytic Cap.	10.00 25.0V			01
C804	UR847100	Electrolytic Cap.	10.00 25.0V			01
* C805	UX062820	Ceramic Capacitor (Chip)	820P 50V K			
* -807	UX062820	Ceramic Capacitor (Chip)	820P 50V K			
C808	UX061100	Ceramic Capacitor (Chip)	10P 50V D			01
C809	UR828470	Electrolytic Cap.	470.00 10.0V			01
* C810	UX062820	Ceramic Capacitor (Chip)	820P 50V K			
C811	UX061100	Ceramic Capacitor (Chip)	10P 50V D			01
C812	UX062470	Ceramic Capacitor (Chip)	470P 50V J			
C813	UX061330	Ceramic Capacitor (Chip)	33P 50V J			
C814	UR847100	Electrolytic Cap.	10.00 25.0V			01
C815	VZ597300	Mylar Capacitor	0.091 50V J			01
C816	VZ597300	Mylar Capacitor	0.091 50V J			01
C817	UX062100	Ceramic Capacitor (Chip)	100P 50V J			01
C818	UR847100	Electrolytic Cap.	10.00 25.0V			01
C819	UR847100	Electrolytic Cap.	10.00 25.0V			01
C820	UA954390	Mylar Capacitor	0.0390 50V J			01
C821	VV190000	Mylar Capacitor	820P 50V J			01
C822	UX061470	Ceramic Capacitor (Chip)	47P 50V J			
C823	UX062100	Ceramic Capacitor (Chip)	100P 50V J			01

*: New Parts

RANK: Japan only

REF NO.	PART NO.	DESCRIPTION		REMARKS	QTY	RANK
C824	UA953390	Mylar Capacitor	3900P 50V J			01
C825	UX062100	Ceramic Capacitor (Chip)	100P 50V J			01
C826	UA954100	Mylar Capacitor	0.0100 50V J			01
C827	UX061220	Ceramic Capacitor (Chip)	22P 50V J			01
C828	UR847470	Electrolytic Cap.	47.00 25.0V			01
C829	UR847100	Electrolytic Cap.	10.00 25.0V			01
C830	UX063100	Ceramic Capacitor (Chip)	1000P 50V K			01
C831	UR866470	Electrolytic Cap.	4.70 50.0V			01
C832	UX062100	Ceramic Capacitor (Chip)	100P 50V J			01
-834	UX062100	Ceramic Capacitor (Chip)	100P 50V J			01
C835	UR847470	Electrolytic Cap.	47.00 25.0V			01
C836	UR866470	Electrolytic Cap.	4.70 50.0V			01
C837	UR847100	Electrolytic Cap.	10.00 25.0V			01
C838	UX062100	Ceramic Capacitor (Chip)	100P 50V J			01
C839	UX062100	Ceramic Capacitor (Chip)	100P 50V J			01
C840	UX061470	Ceramic Capacitor (Chip)	47P 50V J			01
C841	UR847470	Electrolytic Cap.	47.00 25.0V			01
C842	UX064100	Ceramic Capacitor (Chip)	0.0100 50V K			01
C843	UX064100	Ceramic Capacitor (Chip)	0.0100 50V K			01
CN903	V2156500	FMN Connector	FMN 12P TE			03
CN904	V2156500	FMN Connector	FMN 12P TE			03
D101	VT332900	Diode	1SS355 TE-17			01
D102	VT332900	Diode	1SS355 TE-17			01
D201	VT332900	Diode	1SS355 TE-17			01
D202	VT332900	Diode	1SS355 TE-17			01
D301	VT332900	Diode	1SS355 TE-17			01
D302	VT332900	Diode	1SS355 TE-17			01
D401	VT332900	Diode	1SS355 TE-17			01
D402	VT332900	Diode	1SS355 TE-17			01
D501	VT332900	Diode	1SS355 TE-17			01
D502	VT332900	Diode	1SS355 TE-17			01
D601	VT332900	Diode	1SS355 TE-17			01
D602	VT332900	Diode	1SS355 TE-17			01
D701	VT332900	Diode	1SS355 TE-17			01
D702	VT332900	Diode	1SS355 TE-17			01
D801	VT332900	Diode	1SS355 TE-17			01
D802	VT332900	Diode	1SS355 TE-17			01
IC101	XJ553A00	IC	NJM2068MD-T1	OP AMP		02
-105	XJ553A00	IC	NJM2068MD-T1	OP AMP		02
IC106	IG103520	IC	NJM4558M(T1)	OP AMP		03
IC107	XJ553A00	IC	NJM2068MD-T1	OP AMP		02
IC201	XJ553A00	IC	NJM2068MD-T1	OP AMP		02
IC301	XJ553A00	IC	NJM2068MD-T1	OP AMP		02
-305	XJ553A00	IC	NJM2068MD-T1	OP AMP		02
IC306	IG103520	IC	NJM4558M(T1)	OP AMP		03
IC307	XJ553A00	IC	NJM2068MD-T1	OP AMP		02
IC401	XJ553A00	IC	NJM2068MD-T1	OP AMP		02
IC501	XJ553A00	IC	NJM2068MD-T1	OP AMP		02
-505	XJ553A00	IC	NJM2068MD-T1	OP AMP		02
IC506	IG103520	IC	NJM4558M(T1)	OP AMP		03
IC507	XJ553A00	IC	NJM2068MD-T1	OP AMP		02
IC601	XJ553A00	IC	NJM2068MD-T1	OP AMP		02
IC701	XJ553A00	IC	NJM2068MD-T1	OP AMP		02
-705	XJ553A00	IC	NJM2068MD-T1	OP AMP		02
IC706	IG103520	IC	NJM4558M(T1)	OP AMP		03
IC707	XJ553A00	IC	NJM2068MD-T1	OP AMP		02
IC801	XJ553A00	IC	NJM2068MD-T1	OP AMP		02
JK101	V6127200	XLM Connector	JACK JY-5042	INPUT A (CH1)		03
JK102	V3939200	Phone Jack	JY6351J-46-250 2SW	INPUT B (CH1)		02
JK103	V2886000	Phone Jack	JY-6351J-06-340	INSERT (CH1)		02
JK201	V6127200	XLM Connector	JACK JY-5042	INPUT A (CH2)		03
JK202	V3939200	Phone Jack	JY6351J-46-250 2SW	INPUT B (CH2)		02
JK203	V2886000	Phone Jack	JY-6351J-06-340	INSERT (CH2)		02
JK301	V6127200	XLM Connector	JACK JY-5042	INPUT A (CH3)		03
JK302	V3939200	Phone Jack	JY6351J-46-250 2SW	INPUT B (CH3)		02
JK303	V2886000	Phone Jack	JY-6351J-06-340	INSERT (CH3)		02
JK401	V6127200	XLM Connector	JACK JY-5042	INPUT A (CH4)		03
JK402	V3939200	Phone Jack	JY6351J-46-250 2SW	INPUT B (CH4)		02
JK403	V2886000	Phone Jack	JY-6351J-06-340	INSERT (CH4)		02
JK501	V6127200	XLM Connector	JACK JY-5042	INPUT A (CH5)		03

*: New Parts

RANK: Japan only

REF NO.	PART NO.	DESCRIPTION		REMARKS	QTY	RANK
JK502	V3939200	Phone Jack	JY6351J-46-250 2SW	INPUT B (CH5)		02
JK503	V2886000	Phone Jack	JY-6351J-06-340	INSERT (CH5)		02
JK601	V6127200	XLM Connector	JACK JY-5042	INPUT A (CH6)		03
JK602	V3939200	Phone Jack	JY6351J-46-250 2SW	INPUT B (CH6)		02
JK603	V2886000	Phone Jack	JY-6351J-06-340	INSERT (CH6)		02
JK701	V6127200	XLM Connector	JACK JY-5042	INPUT A (CH7)		03
JK702	V3939200	Phone Jack	JY6351J-46-250 2SW	INPUT B (CH7)		02
JK703	V2886000	Phone Jack	JY-6351J-06-340	INSERT (CH7)		02
JK801	V6127200	XLM Connector	JACK JY-5042	INPUT A (CH8)		03
JK802	V3939200	Phone Jack	JY6351J-46-250 2SW	INPUT B (CH8)		02
JK803	V2886000	Phone Jack	JY-6351J-06-340	INSERT (CH8)		02
* LD101	V8840400	LED	L34YD-TNB5/13.6 YE	ON(CH1)		01
* LD102	V8840100	LED	L34HD-TNB5/13.6 RE	PEAK(CH1)		01
* LD103	V8840200	LED	L34GD-TNB5/13.6 GR	SIGNAL(CH1)		01
* LD201	V8840400	LED	L34YD-TNB5/13.6 YE	ON(CH2)		01
* LD202	V8840100	LED	L34HD-TNB5/13.6 RE	PEAK(CH2)		01
* LD203	V8840200	LED	L34GD-TNB5/13.6 GR	SIGNAL(CH2)		01
* LD301	V8840400	LED	L34YD-TNB5/13.6 YE	ON(CH3)		01
* LD302	V8840100	LED	L34HD-TNB5/13.6 RE	PEAK(CH3)		01
* LD303	V8840200	LED	L34GD-TNB5/13.6 GR	SIGNAL(CH3)		01
* LD401	V8840400	LED	L34YD-TNB5/13.6 YE	ON(CH4)		01
* LD402	V8840100	LED	L34HD-TNB5/13.6 RE	PEAK(CH4)		01
* LD403	V8840200	LED	L34GD-TNB5/13.6 GR	SIGNAL(CH4)		01
* LD501	V8840400	LED	L34YD-TNB5/13.6 YE	ON(CH5)		01
* LD502	V8840100	LED	L34HD-TNB5/13.6 RE	PEAK(CH5)		01
* LD503	V8840200	LED	L34GD-TNB5/13.6 GR	SIGNAL(CH5)		01
* LD601	V8840400	LED	L34YD-TNB5/13.6 YE	ON(CH6)		01
* LD602	V8840100	LED	L34HD-TNB5/13.6 RE	PEAK(CH6)		01
* LD603	V8840200	LED	L34GD-TNB5/13.6 GR	SIGNAL(CH6)		01
* LD701	V8840400	LED	L34YD-TNB5/13.6 YE	ON(CH7)		01
* LD702	V8840100	LED	L34HD-TNB5/13.6 RE	PEAK(CH7)		01
* LD703	V8840200	LED	L34GD-TNB5/13.6 GR	SIGNAL(CH7)		01
* LD801	V8840400	LED	L34YD-TNB5/13.6 YE	ON(CH8)		01
* LD802	V8840100	LED	L34HD-TNB5/13.6 RE	PEAK(CH8)		01
* LD803	V8840200	LED	L34GD-TNB5/13.6 GR	SIGNAL(CH8)		01
* LD901	V8840100	LED	L34HD-TNB5/13.6 RE	PHANTOM		01
* Q101	V7421700	Transistor (chip)	2SC2SC3324 GR,BL			01
* Q102	V7421700	Transistor (chip)	2SC2SC3324 GR,BL			01
* Q103	V7421800	Transistor	2SA2SA1312 GR,BL			01
* Q104	VV556400	Transistor	2SC2412K Q,R,S			01
* Q201	V7421700	Transistor (chip)	2SC2SC3324 GR,BL			01
* Q202	V7421700	Transistor (chip)	2SC2SC3324 GR,BL			01
* Q203	V7421800	Transistor	2SA2SA1312 GR,BL			01
* Q204	VV556400	Transistor	2SC2412K Q,R,S			01
* Q301	V7421700	Transistor (chip)	2SC2SC3324 GR,BL			01
* Q302	V7421700	Transistor (chip)	2SC2SC3324 GR,BL			01
* Q303	V7421800	Transistor	2SA2SA1312 GR,BL			01
* Q304	VV556400	Transistor	2SC2412K Q,R,S			01
* Q401	V7421700	Transistor (chip)	2SC2SC3324 GR,BL			01
* Q402	V7421700	Transistor (chip)	2SC2SC3324 GR,BL			01
* Q403	V7421800	Transistor	2SA2SA1312 GR,BL			01
* Q404	VV556400	Transistor	2SC2412K Q,R,S			01
* Q405	VV556400	Transistor	2SC2412K Q,R,S			01
* Q501	V7421700	Transistor (chip)	2SC2SC3324 GR,BL			01
* Q502	V7421700	Transistor (chip)	2SC2SC3324 GR,BL			01
* Q503	V7421800	Transistor	2SA2SA1312 GR,BL			01
* Q504	VV556400	Transistor	2SC2412K Q,R,S			01
* Q601	V7421700	Transistor (chip)	2SC2SC3324 GR,BL			01
* Q602	V7421700	Transistor (chip)	2SC2SC3324 GR,BL			01
* Q603	V7421800	Transistor	2SA2SA1312 GR,BL			01
* Q604	VV556400	Transistor	2SC2412K Q,R,S			01
* Q701	V7421700	Transistor (chip)	2SC2SC3324 GR,BL			01
* Q702	V7421700	Transistor (chip)	2SC2SC3324 GR,BL			01
* Q703	V7421800	Transistor	2SA2SA1312 GR,BL			01
* Q704	VV556400	Transistor	2SC2412K Q,R,S			01
* Q801	V7421700	Transistor (chip)	2SC2SC3324 GR,BL			01
* Q802	V7421700	Transistor (chip)	2SC2SC3324 GR,BL			01
* Q803	V7421800	Transistor	2SA2SA1312 GR,BL			01
* Q804	VV556400	Transistor	2SC2412K Q,R,S			01
* Q805	VV556400	Transistor	2SC2412K Q,R,S			01

*: New Parts

RANK: Japan only

REF NO.	PART NO.	DESCRIPTION	REMARKS	QTY	RANK
* R101	RG005180	Carbon Resistor (chip)	180 0.1 J		
R102	VV065300	Metal Film Resistor	6.8K 1/4 F		01
R103	VV065300	Metal Film Resistor	6.8K 1/4 F		01
* R104	RF358100	Carbon Resistor (chip)	100.0K : D 1608		01
* R105	RF358100	Carbon Resistor (chip)	100.0K : D 1608		01
R106	RG007100	Carbon Resistor (chip)	10K 0.1 J		
R107	RF357100	Carbon Resistor (chip)	10.0K : D 1608		01
* R108	RF356110	Carbon Resistor (chip)	1.1K : D 1608		
R109	RF357100	Carbon Resistor (chip)	10.0K : D 1608		01
* R110	RF358100	Carbon Resistor (chip)	100.0K : D 1608		01
* R111	RF358100	Carbon Resistor (chip)	100.0K : D 1608		01
R112	RG007220	Carbon Resistor (chip)	22K 0.1 J		
R113	RG006470	Carbon Resistor (chip)	4.7K 0.1 J		
* R114	RF358100	Carbon Resistor (chip)	100.0K : D 1608		01
* R115	RF358100	Carbon Resistor (chip)	100.0K : D 1608		01
R116	RG004100	Carbon Resistor (chip)	10 0.1 J		
* R117	RF356220	Carbon Resistor (chip)	2.2K : D 1608		01
* R118	RF356820	Carbon Resistor (chip)	8.2K : D 1608		
* R119	RF354200	Carbon Resistor (chip)	20.0 : D 1608		01
* R120	RF357240	Carbon Resistor (chip)	24.0K : D 1608		
* R121	RF356220	Carbon Resistor (chip)	2.2K : D 1608		01
* R122	RF356820	Carbon Resistor (chip)	8.2K : D 1608		
* R123	RF357240	Carbon Resistor (chip)	24.0K : D 1608		
R124	RG004100	Carbon Resistor (chip)	10 0.1 J		
* R125	RF356470	Carbon Resistor (chip)	4.7K : D 1608		01
* R126	RF356470	Carbon Resistor (chip)	4.7K : D 1608		01
R127	RG008220	Carbon Resistor (chip)	220K 0.1 J		
* R128	RG007150	Carbon Resistor (chip)	15K 0.1 J		
R129	RG007300	Carbon Resistor (chip)	30K 0.1 J		
R130	RG004100	Carbon Resistor (chip)	10 0.1 J		
R131	RG008220	Carbon Resistor (chip)	220K 0.1 J		
R132	RG008220	Carbon Resistor (chip)	220K 0.1 J		
R133	RG007100	Carbon Resistor (chip)	10K 0.1 J		
R134	RG006470	Carbon Resistor (chip)	4.7K 0.1 J		
R135	RG007330	Carbon Resistor (chip)	33K 0.1 J		
R136	RG007100	Carbon Resistor (chip)	10K 0.1 J		
R137	RG006560	Carbon Resistor (chip)	5.6K 0.1 J		
R138	RG006470	Carbon Resistor (chip)	4.7K 0.1 J		
R139	RG006820	Carbon Resistor (chip)	8.2K 0.1 J		
R140	RG006470	Carbon Resistor (chip)	4.7K 0.1 J		
R141	RG006820	Carbon Resistor (chip)	8.2K 0.1 J		
R142	RG004100	Carbon Resistor (chip)	10 0.1 J		
R143	RG008220	Carbon Resistor (chip)	220K 0.1 J		
R144	RG006560	Carbon Resistor (chip)	5.6K 0.1 J		
-146	RG006560	Carbon Resistor (chip)	5.6K 0.1 J		
R147	RG007560	Carbon Resistor (chip)	56K 0.1 J		
R148	RG007330	Carbon Resistor (chip)	33K 0.1 J		
R149	RG006560	Carbon Resistor (chip)	5.6K 0.1 J		
R150	RG008220	Carbon Resistor (chip)	220K 0.1 J		
R151	RG005220	Carbon Resistor (chip)	220 0.1 J		
R152	RG007120	Carbon Resistor (chip)	12K 0.1 J		
R153	RG006330	Carbon Resistor (chip)	3.3K 0.1 J		
R154	RG007330	Carbon Resistor (chip)	33K 0.1 J		
R155	RG008100	Carbon Resistor (chip)	100K 0.1 J		
R156	RG005220	Carbon Resistor (chip)	220 0.1 J		
* R157	RG206220	Carbon Resistor (chip)	2.2K 1/4 J		
R158	RG007180	Carbon Resistor (chip)	18K 0.1 J		
R159	RG005220	Carbon Resistor (chip)	220 0.1 J		
R160	RG006470	Carbon Resistor (chip)	4.7K 0.1 J		
R161	RG007100	Carbon Resistor (chip)	10K 0.1 J		
R162	RG004100	Carbon Resistor (chip)	10 0.1 J		
R163	RG008220	Carbon Resistor (chip)	220K 0.1 J		
R164	RG007180	Carbon Resistor (chip)	18K 0.1 J		
-169	RG007180	Carbon Resistor (chip)	18K 0.1 J		
* R170	RG007360	Carbon Resistor (chip)	36K 0.1 J		
* R171	RG007360	Carbon Resistor (chip)	36K 0.1 J		
R172	RG008100	Carbon Resistor (chip)	100K 0.1 J		
R173	VV276800	Flame Proof C. Resistor	100 1/4 J		01
* R201	RG005180	Carbon Resistor (chip)	180 0.1 J		
R202	VV065300	Metal Film Resistor	6.8K 1/4 F		01

*: New Parts

RANK: Japan only

REF NO.	PART NO.	DESCRIPTION	REMARKS	QTY	RANK
R203	VV065300	Metal Film Resistor	6.8K 1/4 F		01
* R204	RF358100	Carbon Resistor (chip)	100.0K : D 1608		01
* R205	RF358100	Carbon Resistor (chip)	100.0K : D 1608		01
R206	RG007100	Carbon Resistor (chip)	10K 0.1 J		
R207	RF357100	Carbon Resistor (chip)	10.0K : D 1608		01
* R208	RF356110	Carbon Resistor (chip)	1.1K : D 1608		
R209	RF357100	Carbon Resistor (chip)	10.0K : D 1608		01
* R210	RF358100	Carbon Resistor (chip)	100.0K : D 1608		01
* R211	RF358100	Carbon Resistor (chip)	100.0K : D 1608		01
R212	RG007220	Carbon Resistor (chip)	22K 0.1 J		
R213	RG006470	Carbon Resistor (chip)	4.7K 0.1 J		
* R214	RF358100	Carbon Resistor (chip)	100.0K : D 1608		01
* R215	RF358100	Carbon Resistor (chip)	100.0K : D 1608		01
R216	RG004100	Carbon Resistor (chip)	10 0.1 J		
* R217	RF356220	Carbon Resistor (chip)	2.2K : D 1608		01
* R218	RF356820	Carbon Resistor (chip)	8.2K : D 1608		
* R219	RF354200	Carbon Resistor (chip)	20.0 : D 1608		01
* R220	RF357240	Carbon Resistor (chip)	24.0K : D 1608		
* R221	RF356220	Carbon Resistor (chip)	2.2K : D 1608		01
* R222	RF356820	Carbon Resistor (chip)	8.2K : D 1608		
* R223	RF357240	Carbon Resistor (chip)	24.0K : D 1608		
R224	RG004100	Carbon Resistor (chip)	10 0.1 J		
* R225	RF356470	Carbon Resistor (chip)	4.7K : D 1608		01
* R226	RF356470	Carbon Resistor (chip)	4.7K : D 1608		01
R227	RG008220	Carbon Resistor (chip)	220K 0.1 J		
* R228	RG007150	Carbon Resistor (chip)	15K 0.1 J		
R229	RG007300	Carbon Resistor (chip)	30K 0.1 J		
R230	RG004100	Carbon Resistor (chip)	10 0.1 J		
R231	RG008220	Carbon Resistor (chip)	220K 0.1 J		
R232	RG008220	Carbon Resistor (chip)	220K 0.1 J		
R233	RG007100	Carbon Resistor (chip)	10K 0.1 J		
R234	RG006470	Carbon Resistor (chip)	4.7K 0.1 J		
R235	RG007330	Carbon Resistor (chip)	33K 0.1 J		
R236	RG007100	Carbon Resistor (chip)	10K 0.1 J		
R237	RG006560	Carbon Resistor (chip)	5.6K 0.1 J		
R238	RG006470	Carbon Resistor (chip)	4.7K 0.1 J		
R239	RG006820	Carbon Resistor (chip)	8.2K 0.1 J		
R240	RG006470	Carbon Resistor (chip)	4.7K 0.1 J		
R241	RG006820	Carbon Resistor (chip)	8.2K 0.1 J		
R242	RG004100	Carbon Resistor (chip)	10 0.1 J		
R243	RG008220	Carbon Resistor (chip)	220K 0.1 J		
R244	RG006560	Carbon Resistor (chip)	5.6K 0.1 J		
-246	RG006560	Carbon Resistor (chip)	5.6K 0.1 J		
R247	RG007560	Carbon Resistor (chip)	56K 0.1 J		
R248	RG007330	Carbon Resistor (chip)	33K 0.1 J		
R249	RG006560	Carbon Resistor (chip)	5.6K 0.1 J		
R250	RG008220	Carbon Resistor (chip)	220K 0.1 J		
R251	RG005220	Carbon Resistor (chip)	220 0.1 J		
R252	RG007120	Carbon Resistor (chip)	12K 0.1 J		
R253	RG006330	Carbon Resistor (chip)	3.3K 0.1 J		
R254	RG007330	Carbon Resistor (chip)	33K 0.1 J		
R255	RG008100	Carbon Resistor (chip)	100K 0.1 J		
R256	RG005220	Carbon Resistor (chip)	220 0.1 J		
* R257	RG206220	Carbon Resistor (chip)	2.2K 1/4 J		
R258	RG007180	Carbon Resistor (chip)	18K 0.1 J		
R259	RG005220	Carbon Resistor (chip)	220 0.1 J		
R260	RG006470	Carbon Resistor (chip)	4.7K 0.1 J		
R261	RG007100	Carbon Resistor (chip)	10K 0.1 J		
R262	RG004100	Carbon Resistor (chip)	10 0.1 J		
R263	RG008220	Carbon Resistor (chip)	220K 0.1 J		
R264	RG007180	Carbon Resistor (chip)	18K 0.1 J		
-269	RG007180	Carbon Resistor (chip)	18K 0.1 J		
* R270	RG007360	Carbon Resistor (chip)	36K 0.1 J		
* R271	RG007360	Carbon Resistor (chip)	36K 0.1 J		
* R301	RG005180	Carbon Resistor (chip)	180 0.1 J		
R302	VV065300	Metal Film Resistor	6.8K 1/4 F		01
R303	VV065300	Metal Film Resistor	6.8K 1/4 F		01
* R304	RF358100	Carbon Resistor (chip)	100.0K : D 1608		01
* R305	RF358100	Carbon Resistor (chip)	100.0K : D 1608		01
R306	RG007100	Carbon Resistor (chip)	10K 0.1 J		

*: New Parts

RANK: Japan only

REF NO.	PART NO.	DESCRIPTION	REMARKS	QTY	RANK
R307	RF357100	Carbon Resistor (chip)	10.0K : D 1608		01
* R308	RF356110	Carbon Resistor (chip)	1.1K : D 1608		
R309	RF357100	Carbon Resistor (chip)	10.0K : D 1608		01
* R310	RF358100	Carbon Resistor (chip)	100.0K : D 1608		01
* R311	RF358100	Carbon Resistor (chip)	100.0K : D 1608		01
R312	RG007220	Carbon Resistor (chip)	22K 0.1 J		
R313	RG006470	Carbon Resistor (chip)	4.7K 0.1 J		
* R314	RF358100	Carbon Resistor (chip)	100.0K : D 1608		01
* R315	RF358100	Carbon Resistor (chip)	100.0K : D 1608		01
R316	RG004100	Carbon Resistor (chip)	10 0.1 J		
* R317	RF356220	Carbon Resistor (chip)	2.2K : D 1608		01
* R318	RF356820	Carbon Resistor (chip)	8.2K : D 1608		
* R319	RF354200	Carbon Resistor (chip)	20.0 : D 1608		01
* R320	RF357240	Carbon Resistor (chip)	24.0K : D 1608		
* R321	RF356220	Carbon Resistor (chip)	2.2K : D 1608		01
* R322	RF356820	Carbon Resistor (chip)	8.2K : D 1608		
* R323	RF357240	Carbon Resistor (chip)	24.0K : D 1608		
R324	RG004100	Carbon Resistor (chip)	10 0.1 J		
* R325	RF356470	Carbon Resistor (chip)	4.7K : D 1608		01
* R326	RF356470	Carbon Resistor (chip)	4.7K : D 1608		01
R327	RG008220	Carbon Resistor (chip)	220K 0.1 J		
* R328	RG007150	Carbon Resistor (chip)	15K 0.1 J		
R329	RG007300	Carbon Resistor (chip)	30K 0.1 J		
R330	RG004100	Carbon Resistor (chip)	10 0.1 J		
R331	RG008220	Carbon Resistor (chip)	220K 0.1 J		
R332	RG008220	Carbon Resistor (chip)	220K 0.1 J		
R333	RG007100	Carbon Resistor (chip)	10K 0.1 J		
R334	RG006470	Carbon Resistor (chip)	4.7K 0.1 J		
R335	RG007330	Carbon Resistor (chip)	33K 0.1 J		
R336	RG007100	Carbon Resistor (chip)	10K 0.1 J		
R337	RG006560	Carbon Resistor (chip)	5.6K 0.1 J		
R338	RG006470	Carbon Resistor (chip)	4.7K 0.1 J		
R339	RG006820	Carbon Resistor (chip)	8.2K 0.1 J		
R340	RG006470	Carbon Resistor (chip)	4.7K 0.1 J		
R341	RG006820	Carbon Resistor (chip)	8.2K 0.1 J		
R342	RG004100	Carbon Resistor (chip)	10 0.1 J		
R343	RG008220	Carbon Resistor (chip)	220K 0.1 J		
R344	RG006560	Carbon Resistor (chip)	5.6K 0.1 J		
-346	RG006560	Carbon Resistor (chip)	5.6K 0.1 J		
R347	RG007560	Carbon Resistor (chip)	56K 0.1 J		
R348	RG007330	Carbon Resistor (chip)	33K 0.1 J		
R349	RG006560	Carbon Resistor (chip)	5.6K 0.1 J		
R350	RG008220	Carbon Resistor (chip)	220K 0.1 J		
R351	RG005220	Carbon Resistor (chip)	220 0.1 J		
R352	RG007120	Carbon Resistor (chip)	12K 0.1 J		
R353	RG006330	Carbon Resistor (chip)	3.3K 0.1 J		
R354	RG007330	Carbon Resistor (chip)	33K 0.1 J		
R355	RG008100	Carbon Resistor (chip)	100K 0.1 J		
R356	RG005220	Carbon Resistor (chip)	220 0.1 J		
* R357	RG206220	Carbon Resistor (chip)	2.2K 1/4 J		
R358	RG007180	Carbon Resistor (chip)	18K 0.1 J		
R359	RG005220	Carbon Resistor (chip)	220 0.1 J		
R360	RG006470	Carbon Resistor (chip)	4.7K 0.1 J		
R361	RG007100	Carbon Resistor (chip)	10K 0.1 J		
R362	RG004100	Carbon Resistor (chip)	10 0.1 J		
R363	RG008220	Carbon Resistor (chip)	220K 0.1 J		
R364	RG007180	Carbon Resistor (chip)	18K 0.1 J		
-369	RG007180	Carbon Resistor (chip)	18K 0.1 J		
* R370	RG007360	Carbon Resistor (chip)	36K 0.1 J		
* R371	RG007360	Carbon Resistor (chip)	36K 0.1 J		
* R401	RG005180	Carbon Resistor (chip)	180 0.1 J		
R402	VV065300	Metal Film Resistor	6.8K 1/4 F		01
R403	VV065300	Metal Film Resistor	6.8K 1/4 F		01
* R404	RF358100	Carbon Resistor (chip)	100.0K : D 1608		01
* R405	RF358100	Carbon Resistor (chip)	100.0K : D 1608		01
R406	RG007100	Carbon Resistor (chip)	10K 0.1 J		
R407	RF357100	Carbon Resistor (chip)	10.0K : D 1608		01
* R408	RF356110	Carbon Resistor (chip)	1.1K : D 1608		
R409	RF357100	Carbon Resistor (chip)	10.0K : D 1608		01
* R410	RF358100	Carbon Resistor (chip)	100.0K : D 1608		01

*: New Parts

RANK: Japan only

REF NO.	PART NO.	DESCRIPTION	REMARKS	QTY	RANK
* R411	RF358100	Carbon Resistor (chip)	100.0K : D 1608		01
R412	RG007220	Carbon Resistor (chip)	22K 0.1 J		
R413	RG006470	Carbon Resistor (chip)	4.7K 0.1 J		
* R414	RF358100	Carbon Resistor (chip)	100.0K : D 1608		01
* R415	RF358100	Carbon Resistor (chip)	100.0K : D 1608		01
R416	RG004100	Carbon Resistor (chip)	10 0.1 J		
* R417	RF356220	Carbon Resistor (chip)	2.2K : D 1608		01
* R418	RF356820	Carbon Resistor (chip)	8.2K : D 1608		
* R419	RF354200	Carbon Resistor (chip)	20.0 : D 1608		01
* R420	RF357240	Carbon Resistor (chip)	24.0K : D 1608		
* R421	RF356220	Carbon Resistor (chip)	2.2K : D 1608		01
* R422	RF356820	Carbon Resistor (chip)	8.2K : D 1608		
* R423	RF357240	Carbon Resistor (chip)	24.0K : D 1608		
R424	RG004100	Carbon Resistor (chip)	10 0.1 J		
* R425	RF356470	Carbon Resistor (chip)	4.7K : D 1608		01
* R426	RF356470	Carbon Resistor (chip)	4.7K : D 1608		01
R427	RG008220	Carbon Resistor (chip)	220K 0.1 J		
* R428	RG007150	Carbon Resistor (chip)	15K 0.1 J		
R429	RG007300	Carbon Resistor (chip)	30K 0.1 J		
R430	RG004100	Carbon Resistor (chip)	10 0.1 J		
R431	RG008220	Carbon Resistor (chip)	220K 0.1 J		
R432	RG008220	Carbon Resistor (chip)	220K 0.1 J		
R433	RG007100	Carbon Resistor (chip)	10K 0.1 J		
R434	RG006470	Carbon Resistor (chip)	4.7K 0.1 J		
R435	RG007330	Carbon Resistor (chip)	33K 0.1 J		
R436	RG007100	Carbon Resistor (chip)	10K 0.1 J		
R437	RG006560	Carbon Resistor (chip)	5.6K 0.1 J		
R438	RG006470	Carbon Resistor (chip)	4.7K 0.1 J		
R439	RG006820	Carbon Resistor (chip)	8.2K 0.1 J		
R440	RG006470	Carbon Resistor (chip)	4.7K 0.1 J		
R441	RG006820	Carbon Resistor (chip)	8.2K 0.1 J		
R442	RG004100	Carbon Resistor (chip)	10 0.1 J		
R443	RG008220	Carbon Resistor (chip)	220K 0.1 J		
R444	RG006560	Carbon Resistor (chip)	5.6K 0.1 J		
-446	RG006560	Carbon Resistor (chip)	5.6K 0.1 J		
R447	RG007560	Carbon Resistor (chip)	56K 0.1 J		
R448	RG007330	Carbon Resistor (chip)	33K 0.1 J		
R449	RG006560	Carbon Resistor (chip)	5.6K 0.1 J		
R450	RG008220	Carbon Resistor (chip)	220K 0.1 J		
R451	RG005220	Carbon Resistor (chip)	220 0.1 J		
R452	RG007120	Carbon Resistor (chip)	12K 0.1 J		
R453	RG006330	Carbon Resistor (chip)	3.3K 0.1 J		
R454	RG007330	Carbon Resistor (chip)	33K 0.1 J		
R455	RG008100	Carbon Resistor (chip)	100K 0.1 J		
R456	RG005220	Carbon Resistor (chip)	220 0.1 J		
* R457	RG206220	Carbon Resistor (chip)	2.2K 1/4 J		
R458	RG007180	Carbon Resistor (chip)	18K 0.1 J		
R459	RG005220	Carbon Resistor (chip)	220 0.1 J		
R460	RG006470	Carbon Resistor (chip)	4.7K 0.1 J		
R461	RG007100	Carbon Resistor (chip)	10K 0.1 J		
R462	RG004100	Carbon Resistor (chip)	10 0.1 J		
R463	RG008220	Carbon Resistor (chip)	220K 0.1 J		
R464	RG007180	Carbon Resistor (chip)	18K 0.1 J		
-469	RG007180	Carbon Resistor (chip)	18K 0.1 J		
* R470	RG007360	Carbon Resistor (chip)	36K 0.1 J		
* R471	RG007360	Carbon Resistor (chip)	36K 0.1 J		
R472	RG007120	Carbon Resistor (chip)	12K 0.1 J		
R473	RG006150	Carbon Resistor (chip)	1.5K 0.1 J		
R474	RG205100	Carbon Resistor (chip)	100 1/4 J		
* R501	RG005180	Carbon Resistor (chip)	180 0.1 J		
R502	VV065300	Metal Film Resistor	6.8K 1/4 F		01
R503	VV065300	Metal Film Resistor	6.8K 1/4 F		01
* R504	RF358100	Carbon Resistor (chip)	100.0K : D 1608		01
* R505	RF358100	Carbon Resistor (chip)	100.0K : D 1608		01
R506	RG007100	Carbon Resistor (chip)	10K 0.1 J		
R507	RF357100	Carbon Resistor (chip)	10.0K : D 1608		01
* R508	RF356110	Carbon Resistor (chip)	1.1K : D 1608		
R509	RF357100	Carbon Resistor (chip)	10.0K : D 1608		01
* R510	RF358100	Carbon Resistor (chip)	100.0K : D 1608		01
* R511	RF358100	Carbon Resistor (chip)	100.0K : D 1608		01

*: New Parts

RANK: Japan only

REF NO.	PART NO.	DESCRIPTION	REMARKS	QTY	RANK
R512	RG007220	Carbon Resistor (chip)	22K 0.1 J		
R513	RG006470	Carbon Resistor (chip)	4.7K 0.1 J		
* R514	RF358100	Carbon Resistor (chip)	100.0K : D 1608		01
* R515	RF358100	Carbon Resistor (chip)	100.0K : D 1608		01
R516	RG004100	Carbon Resistor (chip)	10 0.1 J		
* R517	RF356220	Carbon Resistor (chip)	2.2K : D 1608		01
* R518	RF356820	Carbon Resistor (chip)	8.2K : D 1608		
* R519	RF354200	Carbon Resistor (chip)	20.0 : D 1608		01
* R520	RF357240	Carbon Resistor (chip)	24.0K : D 1608		
* R521	RF356220	Carbon Resistor (chip)	2.2K : D 1608		01
* R522	RF356820	Carbon Resistor (chip)	8.2K : D 1608		
* R523	RF357240	Carbon Resistor (chip)	24.0K : D 1608		
R524	RG004100	Carbon Resistor (chip)	10 0.1 J		
* R525	RF356470	Carbon Resistor (chip)	4.7K : D 1608		01
* R526	RF356470	Carbon Resistor (chip)	4.7K : D 1608		01
R527	RG008220	Carbon Resistor (chip)	220K 0.1 J		
* R528	RG007150	Carbon Resistor (chip)	15K 0.1 J		
R529	RG007300	Carbon Resistor (chip)	30K 0.1 J		
R530	RG004100	Carbon Resistor (chip)	10 0.1 J		
R531	RG008220	Carbon Resistor (chip)	220K 0.1 J		
R532	RG008220	Carbon Resistor (chip)	220K 0.1 J		
R533	RG007100	Carbon Resistor (chip)	10K 0.1 J		
R534	RG006470	Carbon Resistor (chip)	4.7K 0.1 J		
R535	RG007330	Carbon Resistor (chip)	33K 0.1 J		
R536	RG007100	Carbon Resistor (chip)	10K 0.1 J		
R537	RG006560	Carbon Resistor (chip)	5.6K 0.1 J		
R538	RG006470	Carbon Resistor (chip)	4.7K 0.1 J		
R539	RG006820	Carbon Resistor (chip)	8.2K 0.1 J		
R540	RG006470	Carbon Resistor (chip)	4.7K 0.1 J		
R541	RG006820	Carbon Resistor (chip)	8.2K 0.1 J		
R542	RG004100	Carbon Resistor (chip)	10 0.1 J		
R543	RG008220	Carbon Resistor (chip)	220K 0.1 J		
R544	RG006560	Carbon Resistor (chip)	5.6K 0.1 J		
-546	RG006560	Carbon Resistor (chip)	5.6K 0.1 J		
R547	RG007560	Carbon Resistor (chip)	56K 0.1 J		
R548	RG007330	Carbon Resistor (chip)	33K 0.1 J		
R549	RG006560	Carbon Resistor (chip)	5.6K 0.1 J		
R550	RG008220	Carbon Resistor (chip)	220K 0.1 J		
R551	RG005220	Carbon Resistor (chip)	220 0.1 J		
R552	RG007120	Carbon Resistor (chip)	12K 0.1 J		
R553	RG006330	Carbon Resistor (chip)	3.3K 0.1 J		
R554	RG007330	Carbon Resistor (chip)	33K 0.1 J		
R555	RG008100	Carbon Resistor (chip)	100K 0.1 J		
R556	RG005220	Carbon Resistor (chip)	220 0.1 J		
* R557	RG206220	Carbon Resistor (chip)	2.2K 1/4 J		
R558	RG007180	Carbon Resistor (chip)	18K 0.1 J		
R559	RG005220	Carbon Resistor (chip)	220 0.1 J		
R560	RG006470	Carbon Resistor (chip)	4.7K 0.1 J		
R561	RG007100	Carbon Resistor (chip)	10K 0.1 J		
R562	RG004100	Carbon Resistor (chip)	10 0.1 J		
R563	RG008220	Carbon Resistor (chip)	220K 0.1 J		
R564	RG007180	Carbon Resistor (chip)	18K 0.1 J		
-569	RG007180	Carbon Resistor (chip)	18K 0.1 J		
* R570	RG007360	Carbon Resistor (chip)	36K 0.1 J		
* R571	RG007360	Carbon Resistor (chip)	36K 0.1 J		
R572	RG008100	Carbon Resistor (chip)	100K 0.1 J		
R573	VV276800	Flame Proof C. Resistor	100 1/4 J		01
* R601	RG005180	Carbon Resistor (chip)	180 0.1 J		
R602	VV065300	Metal Film Resistor	6.8K 1/4 F		01
R603	VV065300	Metal Film Resistor	6.8K 1/4 F		01
* R604	RF358100	Carbon Resistor (chip)	100.0K : D 1608		01
* R605	RF358100	Carbon Resistor (chip)	100.0K : D 1608		01
R606	RG007100	Carbon Resistor (chip)	10K 0.1 J		
R607	RF357100	Carbon Resistor (chip)	10.0K : D 1608		01
* R608	RF356110	Carbon Resistor (chip)	1.1K : D 1608		
R609	RF357100	Carbon Resistor (chip)	10.0K : D 1608		01
R610	RF358100	Carbon Resistor (chip)	100.0K : D 1608		01
* R611	RF358100	Carbon Resistor (chip)	100.0K : D 1608		01
R612	RG007220	Carbon Resistor (chip)	22K 0.1 J		
R613	RG006470	Carbon Resistor (chip)	4.7K 0.1 J		

*: New Parts

RANK: Japan only

REF NO.	PART NO.	DESCRIPTION	REMARKS	QTY	RANK
* R614	RF358100	Carbon Resistor (chip)	100.0K : D 1608		01
* R615	RF358100	Carbon Resistor (chip)	100.0K : D 1608		01
R616	RG004100	Carbon Resistor (chip)	10 0.1 J		
* R617	RF356220	Carbon Resistor (chip)	2.2K : D 1608		01
* R618	RF356820	Carbon Resistor (chip)	8.2K : D 1608		
R619	RF354200	Carbon Resistor (chip)	20.0 : D 1608		01
* R620	RF357240	Carbon Resistor (chip)	24.0K : D 1608		
* R621	RF356220	Carbon Resistor (chip)	2.2K : D 1608		01
* R622	RF356820	Carbon Resistor (chip)	8.2K : D 1608		
* R623	RF357240	Carbon Resistor (chip)	24.0K : D 1608		
R624	RG004100	Carbon Resistor (chip)	10 0.1 J		
* R625	RF356470	Carbon Resistor (chip)	4.7K : D 1608		01
* R626	RF356470	Carbon Resistor (chip)	4.7K : D 1608		01
R627	RG008220	Carbon Resistor (chip)	220K 0.1 J		
* R628	RG007150	Carbon Resistor (chip)	15K 0.1 J		
R629	RG007300	Carbon Resistor (chip)	30K 0.1 J		
R630	RG004100	Carbon Resistor (chip)	10 0.1 J		
R631	RG008220	Carbon Resistor (chip)	220K 0.1 J		
R632	RG008220	Carbon Resistor (chip)	220K 0.1 J		
R633	RG007100	Carbon Resistor (chip)	10K 0.1 J		
R634	RG006470	Carbon Resistor (chip)	4.7K 0.1 J		
R635	RG007330	Carbon Resistor (chip)	33K 0.1 J		
R636	RG007100	Carbon Resistor (chip)	10K 0.1 J		
R637	RG006560	Carbon Resistor (chip)	5.6K 0.1 J		
R638	RG006470	Carbon Resistor (chip)	4.7K 0.1 J		
R639	RG006820	Carbon Resistor (chip)	8.2K 0.1 J		
R640	RG006470	Carbon Resistor (chip)	4.7K 0.1 J		
R641	RG006820	Carbon Resistor (chip)	8.2K 0.1 J		
R642	RG004100	Carbon Resistor (chip)	10 0.1 J		
R643	RG008220	Carbon Resistor (chip)	220K 0.1 J		
R644	RG006560	Carbon Resistor (chip)	5.6K 0.1 J		
-646	RG006560	Carbon Resistor (chip)	5.6K 0.1 J		
R647	RG007560	Carbon Resistor (chip)	56K 0.1 J		
R648	RG007330	Carbon Resistor (chip)	33K 0.1 J		
R649	RG006560	Carbon Resistor (chip)	5.6K 0.1 J		
R650	RG008220	Carbon Resistor (chip)	220K 0.1 J		
R651	RG005220	Carbon Resistor (chip)	220 0.1 J		
R652	RG007120	Carbon Resistor (chip)	12K 0.1 J		
R653	RG006330	Carbon Resistor (chip)	3.3K 0.1 J		
R654	RG007330	Carbon Resistor (chip)	33K 0.1 J		
R655	RG008100	Carbon Resistor (chip)	100K 0.1 J		
R656	RG005220	Carbon Resistor (chip)	220 0.1 J		
* R657	RG206220	Carbon Resistor (chip)	2.2K 1/4 J		
R658	RG007180	Carbon Resistor (chip)	18K 0.1 J		
R659	RG005220	Carbon Resistor (chip)	220 0.1 J		
R660	RG006470	Carbon Resistor (chip)	4.7K 0.1 J		
R661	RG007100	Carbon Resistor (chip)	10K 0.1 J		
R662	RG004100	Carbon Resistor (chip)	10 0.1 J		
R663	RG008220	Carbon Resistor (chip)	220K 0.1 J		
R664	RG007180	Carbon Resistor (chip)	18K 0.1 J		
-669	RG007180	Carbon Resistor (chip)	18K 0.1 J		
* R670	RG007360	Carbon Resistor (chip)	36K 0.1 J		
* R671	RG007360	Carbon Resistor (chip)	36K 0.1 J		
* R701	RG005180	Carbon Resistor (chip)	180 0.1 J		
R702	VV065300	Metal Film Resistor	6.8K 1/4 F		01
R703	VV065300	Metal Film Resistor	6.8K 1/4 F		01
* R704	RF358100	Carbon Resistor (chip)	100.0K : D 1608		01
* R705	RF358100	Carbon Resistor (chip)	100.0K : D 1608		01
R706	RG007100	Carbon Resistor (chip)	10K 0.1 J		
R707	RF357100	Carbon Resistor (chip)	10.0K : D 1608		01
* R708	RF356110	Carbon Resistor (chip)	1.1K : D 1608		
R709	RF357100	Carbon Resistor (chip)	10.0K : D 1608		01
* R710	RF358100	Carbon Resistor (chip)	100.0K : D 1608		01
* R711	RF358100	Carbon Resistor (chip)	100.0K : D 1608		01
R712	RG007220	Carbon Resistor (chip)	22K 0.1 J		
R713	RG006470	Carbon Resistor (chip)	4.7K 0.1 J		
* R714	RF358100	Carbon Resistor (chip)	100.0K : D 1608		01
* R715	RF358100	Carbon Resistor (chip)	100.0K : D 1608		01
R716	RG004100	Carbon Resistor (chip)	10 0.1 J		
* R717	RF356220	Carbon Resistor (chip)	2.2K : D 1608		01

*: New Parts

RANK: Japan only

REF NO.	PART NO.	DESCRIPTION	REMARKS	QTY	RANK
* R718	RF356820	Carbon Resistor (chip)	8.2K : D 1608		
* R719	RF354200	Carbon Resistor (chip)	20.0 : D 1608		01
* R720	RF357240	Carbon Resistor (chip)	24.0K : D 1608		
* R721	RF356220	Carbon Resistor (chip)	2.2K : D 1608		01
* R722	RF356820	Carbon Resistor (chip)	8.2K : D 1608		
* R723	RF357240	Carbon Resistor (chip)	24.0K : D 1608		
R724	RG004100	Carbon Resistor (chip)	10 0.1 J		
* R725	RF356470	Carbon Resistor (chip)	4.7K : D 1608		01
* R726	RF356470	Carbon Resistor (chip)	4.7K : D 1608		01
R727	RG008220	Carbon Resistor (chip)	220K 0.1 J		
* R728	RG007150	Carbon Resistor (chip)	15K 0.1 J		
R729	RG007300	Carbon Resistor (chip)	30K 0.1 J		
R730	RG004100	Carbon Resistor (chip)	10 0.1 J		
R731	RG008220	Carbon Resistor (chip)	220K 0.1 J		
R732	RG008220	Carbon Resistor (chip)	220K 0.1 J		
R733	RG007100	Carbon Resistor (chip)	10K 0.1 J		
R734	RG006470	Carbon Resistor (chip)	4.7K 0.1 J		
R735	RG007330	Carbon Resistor (chip)	33K 0.1 J		
R736	RG007100	Carbon Resistor (chip)	10K 0.1 J		
R737	RG006560	Carbon Resistor (chip)	5.6K 0.1 J		
R738	RG006470	Carbon Resistor (chip)	4.7K 0.1 J		
R739	RG006820	Carbon Resistor (chip)	8.2K 0.1 J		
R740	RG006470	Carbon Resistor (chip)	4.7K 0.1 J		
R741	RG006820	Carbon Resistor (chip)	8.2K 0.1 J		
R742	RG004100	Carbon Resistor (chip)	10 0.1 J		
R743	RG008220	Carbon Resistor (chip)	220K 0.1 J		
R744	RG006560	Carbon Resistor (chip)	5.6K 0.1 J		
-746	RG006560	Carbon Resistor (chip)	5.6K 0.1 J		
R747	RG007560	Carbon Resistor (chip)	56K 0.1 J		
R748	RG007330	Carbon Resistor (chip)	33K 0.1 J		
R749	RG006560	Carbon Resistor (chip)	5.6K 0.1 J		
R750	RG008220	Carbon Resistor (chip)	220K 0.1 J		
R751	RG005220	Carbon Resistor (chip)	220 0.1 J		
R752	RG007120	Carbon Resistor (chip)	12K 0.1 J		
R753	RG006330	Carbon Resistor (chip)	3.3K 0.1 J		
R754	RG007330	Carbon Resistor (chip)	33K 0.1 J		
R755	RG008100	Carbon Resistor (chip)	100K 0.1 J		
R756	RG005220	Carbon Resistor (chip)	220 0.1 J		
* R757	RG206220	Carbon Resistor (chip)	2.2K 1/4 J		
R758	RG007180	Carbon Resistor (chip)	18K 0.1 J		
R759	RG005220	Carbon Resistor (chip)	220 0.1 J		
R760	RG006470	Carbon Resistor (chip)	4.7K 0.1 J		
R761	RG007100	Carbon Resistor (chip)	10K 0.1 J		
R762	RG004100	Carbon Resistor (chip)	10 0.1 J		
R763	RG008220	Carbon Resistor (chip)	220K 0.1 J		
R764	RG007180	Carbon Resistor (chip)	18K 0.1 J		
-769	RG007180	Carbon Resistor (chip)	18K 0.1 J		
* R770	RG007360	Carbon Resistor (chip)	36K 0.1 J		
* R771	RG007360	Carbon Resistor (chip)	36K 0.1 J		
* R801	RG005180	Carbon Resistor (chip)	180 0.1 J		
R802	VV065300	Metal Film Resistor	6.8K 1/4 F		01
R803	VV065300	Metal Film Resistor	6.8K 1/4 F		01
* R804	RF358100	Carbon Resistor (chip)	100.0K : D 1608		01
* R805	RF358100	Carbon Resistor (chip)	100.0K : D 1608		01
R806	RG007100	Carbon Resistor (chip)	10K 0.1 J		
R807	RF357100	Carbon Resistor (chip)	10.0K : D 1608		01
* R808	RF356110	Carbon Resistor (chip)	1.1K : D 1608		
R809	RF357100	Carbon Resistor (chip)	10.0K : D 1608		01
* R810	RF358100	Carbon Resistor (chip)	100.0K : D 1608		01
* R811	RF358100	Carbon Resistor (chip)	100.0K : D 1608		01
R812	RG007220	Carbon Resistor (chip)	22K 0.1 J		
R813	RG006470	Carbon Resistor (chip)	4.7K 0.1 J		
* R814	RF358100	Carbon Resistor (chip)	100.0K : D 1608		01
* R815	RF358100	Carbon Resistor (chip)	100.0K : D 1608		01
R816	RG004100	Carbon Resistor (chip)	10 0.1 J		
* R817	RF356220	Carbon Resistor (chip)	2.2K : D 1608		01
* R818	RF356820	Carbon Resistor (chip)	8.2K : D 1608		
* R819	RF354200	Carbon Resistor (chip)	20.0 : D 1608		01
* R820	RF357240	Carbon Resistor (chip)	24.0K : D 1608		
* R821	RF356220	Carbon Resistor (chip)	2.2K : D 1608		01

*: New Parts

RANK: Japan only

REF NO.	PART NO.	DESCRIPTION	REMARKS	QTY	RANK
* R822	RF356820	Carbon Resistor (chip)	8.2K : D 1608		
* R823	RF357240	Carbon Resistor (chip)	24.0K : D 1608		
R824	RG004100	Carbon Resistor (chip)	10 0.1 J		
* R825	RF356470	Carbon Resistor (chip)	4.7K : D 1608		01
* R826	RF356470	Carbon Resistor (chip)	4.7K : D 1608		01
R827	RG008220	Carbon Resistor (chip)	220K 0.1 J		
* R828	RG007150	Carbon Resistor (chip)	15K 0.1 J		
R829	RG007300	Carbon Resistor (chip)	30K 0.1 J		
R830	RG004100	Carbon Resistor (chip)	10 0.1 J		
R831	RG008220	Carbon Resistor (chip)	220K 0.1 J		
R832	RG008220	Carbon Resistor (chip)	220K 0.1 J		
R833	RG007100	Carbon Resistor (chip)	10K 0.1 J		
R834	RG006470	Carbon Resistor (chip)	4.7K 0.1 J		
R835	RG007330	Carbon Resistor (chip)	33K 0.1 J		
R836	RG007100	Carbon Resistor (chip)	10K 0.1 J		
R837	RG006560	Carbon Resistor (chip)	5.6K 0.1 J		
R838	RG006470	Carbon Resistor (chip)	4.7K 0.1 J		
R839	RG006820	Carbon Resistor (chip)	8.2K 0.1 J		
R840	RG006470	Carbon Resistor (chip)	4.7K 0.1 J		
R841	RG006820	Carbon Resistor (chip)	8.2K 0.1 J		
R842	RG004100	Carbon Resistor (chip)	10 0.1 J		
R843	RG008220	Carbon Resistor (chip)	220K 0.1 J		
R844	RG006560	Carbon Resistor (chip)	5.6K 0.1 J		
-846	RG006560	Carbon Resistor (chip)	5.6K 0.1 J		
R847	RG007560	Carbon Resistor (chip)	56K 0.1 J		
R848	RG007330	Carbon Resistor (chip)	33K 0.1 J		
R849	RG006560	Carbon Resistor (chip)	5.6K 0.1 J		
R850	RG008220	Carbon Resistor (chip)	220K 0.1 J		
R851	RG005220	Carbon Resistor (chip)	220 0.1 J		
R852	RG007120	Carbon Resistor (chip)	12K 0.1 J		
R853	RG006330	Carbon Resistor (chip)	3.3K 0.1 J		
R854	RG007330	Carbon Resistor (chip)	33K 0.1 J		
R855	RG008100	Carbon Resistor (chip)	100K 0.1 J		
R856	RG005220	Carbon Resistor (chip)	220 0.1 J		
* R857	RG206220	Carbon Resistor (chip)	2.2K 1/4 J		
R858	RG007180	Carbon Resistor (chip)	18K 0.1 J		
R859	RG005220	Carbon Resistor (chip)	220 0.1 J		
R860	RG006470	Carbon Resistor (chip)	4.7K 0.1 J		
R861	RG007100	Carbon Resistor (chip)	10K 0.1 J		
R862	RG004100	Carbon Resistor (chip)	10 0.1 J		
R863	RG008220	Carbon Resistor (chip)	220K 0.1 J		
R864	RG007180	Carbon Resistor (chip)	18K 0.1 J		
-869	RG007180	Carbon Resistor (chip)	18K 0.1 J		
* R870	RG007360	Carbon Resistor (chip)	36K 0.1 J		
* R871	RG007360	Carbon Resistor (chip)	36K 0.1 J		
R872	RG007120	Carbon Resistor (chip)	12K 0.1 J		
R873	RG006150	Carbon Resistor (chip)	1.5K 0.1 J		
R874	RG205100	Carbon Resistor (chip)	100 1/4 J		
* R901	RG206270	Carbon Resistor (chip)	2.7K 1/4 J		
RJ01	RG000000	Carbon Resistor (chip)	0 0.1 J		
-15	RG000000	Carbon Resistor (chip)	0 0.1 J		
SW101	V6962600	Push Switch		26dB(CH1)	02
SW102	V6962600	Push Switch		/80 (CH1)	02
SW103	V6962600	Push Switch		CH ON(CH1)	02
SW104	V6962600	Push Switch		AUX1 POST(CH1)	02
SW105	V6962600	Push Switch		AUX2 POST(CH1)	02
SW106	V6962600	Push Switch		PFL(CH1)	02
SW201	V6962600	Push Switch		26dB(CH2)	02
SW202	V6962600	Push Switch		/80 (CH2)	02
SW203	V6962600	Push Switch		CH ON(CH2)	02
SW204	V6962600	Push Switch		AUX1 POST(CH2)	02
SW205	V6962600	Push Switch		AUX2 POST(CH2)	02
SW206	V6962600	Push Switch		PFL(CH2)	02
SW301	V6962600	Push Switch		26dB(CH3)	02
SW302	V6962600	Push Switch		/80 (CH3)	02
SW303	V6962600	Push Switch		CH ON(CH3)	02
SW304	V6962600	Push Switch		AUX1 POST(CH3)	02
SW305	V6962600	Push Switch		AUX2 POST(CH3)	02
SW306	V6962600	Push Switch		PFL(CH3)	02
SW401	V6962600	Push Switch		26dB(CH4)	02

*: New Parts

RANK: Japan only

REF NO.	PART NO.	DESCRIPTION	REMARKS	QTY	RANK
SW402	V6962600	Push Switch	/80 (CH4)		02
SW403	V6962600	Push Switch	CH ON(CH4)		02
SW404	V6962600	Push Switch	AUX1 POST(CH4)		02
SW405	V6962600	Push Switch	AUX2 POST(CH4)		02
SW406	V6962600	Push Switch	PFL(CH4)		02
SW501	V6962600	Push Switch	26dB(CH5)		02
SW502	V6962600	Push Switch	/80 (CH5)		02
SW503	V6962600	Push Switch	CH ON(CH5)		02
SW504	V6962600	Push Switch	AUX1 POST(CH5)		02
SW505	V6962600	Push Switch	AUX2 POST(CH5)		02
SW506	V6962600	Push Switch	PFL(CH5)		02
SW601	V6962600	Push Switch	26dB(CH6)		02
SW602	V6962600	Push Switch	/80 (CH6)		02
SW603	V6962600	Push Switch	CH ON(CH6)		02
SW604	V6962600	Push Switch	AUX1 POST(CH6)		02
SW605	V6962600	Push Switch	AUX2 POST(CH6)		02
SW606	V6962600	Push Switch	PFL(CH6)		02
SW701	V6962600	Push Switch	26dB(CH7)		02
SW702	V6962600	Push Switch	/80 (CH7)		02
SW703	V6962600	Push Switch	CH ON(CH7)		02
SW704	V6962600	Push Switch	AUX1 POST(CH7)		02
SW705	V6962600	Push Switch	AUX2 POST(CH7)		02
SW706	V6962600	Push Switch	PFL(CH7)		02
SW801	V6962600	Push Switch	26dB(CH8)		02
SW802	V6962600	Push Switch	/80 (CH8)		02
SW803	V6962600	Push Switch	CH ON(CH8)		02
SW804	V6962600	Push Switch	AUX1 POST(CH8)		02
SW805	V6962600	Push Switch	AUX2 POST(CH8)		02
SW806	V6962600	Push Switch	PFL(CH8)		02
SW901	V2802400	Slide Switch	SS001-P022BQB-PA14		03
* VR101	V8393200	Rotary Variable Resistor	RD 5.0K XV09213P		
* VR102	V8264700	Rotary Variable Resistor	B 50.0K XV09213P		01
* VR103	V8264700	Rotary Variable Resistor	B 50.0K XV09213P		01
VR104	VZ611200	Rotary Variable Resistor	C 100K RK12L123		05
* VR105	V8393300	Rotary Variable Resistor	W 20.0K XV09213P		
VR106	VU804100	Slide Variable Resistor	RS6011YG6036-10KA		04
VR107	VZ610800	Rotary Variable Resistor	AC 20K RK12L123		03
* VR108	V8264600	Rotary Variable Resistor	A 20.0K XV09213P		01
* VR109	V8264600	Rotary Variable Resistor	A 20.0K XV09213P		01
* VR110	V8264600	Rotary Variable Resistor	A 20.0K XV09213P		01
* VR111	V8264600	Rotary Variable Resistor	A 20.0K XV09213P		01
* VR201	V8393200	Rotary Variable Resistor	RD 5.0K XV09213P		
* VR202	V8264700	Rotary Variable Resistor	B 50.0K XV09213P		01
* VR203	V8264700	Rotary Variable Resistor	B 50.0K XV09213P		01
VR204	VZ611200	Rotary Variable Resistor	C 100K RK12L123		05
* VR205	V8393300	Rotary Variable Resistor	W 20.0K XV09213P		
VR206	VU804100	Slide Variable Resistor	RS6011YG6036-10KA		04
VR207	VZ610800	Rotary Variable Resistor	AC 20K RK12L123		03
* VR208	V8264600	Rotary Variable Resistor	A 20.0K XV09213P		01
* VR209	V8264600	Rotary Variable Resistor	A 20.0K XV09213P		01
* VR210	V8264600	Rotary Variable Resistor	A 20.0K XV09213P		01
* VR211	V8264600	Rotary Variable Resistor	A 20.0K XV09213P		01
* VR301	V8393200	Rotary Variable Resistor	RD 5.0K XV09213P		
* VR302	V8264700	Rotary Variable Resistor	B 50.0K XV09213P		01
* VR303	V8264700	Rotary Variable Resistor	B 50.0K XV09213P		01
VR304	VZ611200	Rotary Variable Resistor	C 100K RK12L123		05
* VR305	V8393300	Rotary Variable Resistor	W 20.0K XV09213P		
VR306	VU804100	Slide Variable Resistor	RS6011YG6036-10KA		04
VR307	VZ610800	Rotary Variable Resistor	AC 20K RK12L123		03
* VR308	V8264600	Rotary Variable Resistor	A 20.0K XV09213P		01
* VR309	V8264600	Rotary Variable Resistor	A 20.0K XV09213P		01
* VR310	V8264600	Rotary Variable Resistor	A 20.0K XV09213P		01
* VR311	V8264600	Rotary Variable Resistor	A 20.0K XV09213P		01
* VR401	V8393200	Rotary Variable Resistor	RD 5.0K XV09213P		
* VR402	V8264700	Rotary Variable Resistor	B 50.0K XV09213P		01
* VR403	V8264700	Rotary Variable Resistor	B 50.0K XV09213P		01
VR404	VZ611200	Rotary Variable Resistor	C 100K RK12L123		05
* VR405	V8393300	Rotary Variable Resistor	W 20.0K XV09213P		
VR406	VU804100	Slide Variable Resistor	RS6011YG6036-10KA		04
VR407	VZ610800	Rotary Variable Resistor	AC 20K RK12L123		03

*: New Parts

RANK: Japan only

REF NO.	PART NO.	DESCRIPTION		REMARKS	QTY	RANK
* VR408	V8264600	Rotary Variable Resistor	A 20.0K XV09213P	AUX1(CH4)		01
* VR409	V8264600	Rotary Variable Resistor	A 20.0K XV09213P	AUX2(CH4)		01
* VR410	V8264600	Rotary Variable Resistor	A 20.0K XV09213P	EFFECT1(CH4)		01
* VR411	V8264600	Rotary Variable Resistor	A 20.0K XV09213P	EFFECT2(CH4)		01
* VR501	V8393200	Rotary Variable Resistor	RD 5.0K XV09213P	GAIN(CH5)		
* VR502	V8264700	Rotary Variable Resistor	B 50.0K XV09213P	LOW(CH5)		01
* VR503	V8264700	Rotary Variable Resistor	B 50.0K XV09213P	HIGH(CH5)		01
VR504	VZ611200	Rotary Variable Resistor	C 100K RK12L123	MID-f(CH5)		05
* VR505	V8393300	Rotary Variable Resistor	W 20.0K XV09213P	MID(CH5)		
VR506	VU804100	Slide Variable Resistor	RS6011YG6036-10KA	FADER(CH5)		04
VR507	VZ610800	Rotary Variable Resistor	AC 20K RK12L123	PAN(CH5)		03
* VR508	V8264600	Rotary Variable Resistor	A 20.0K XV09213P	AUX1(CH5)		01
* VR509	V8264600	Rotary Variable Resistor	A 20.0K XV09213P	AUX2(CH5)		01
* VR510	V8264600	Rotary Variable Resistor	A 20.0K XV09213P	EFFECT1(CH5)		01
* VR511	V8264600	Rotary Variable Resistor	A 20.0K XV09213P	EFFECT2(CH5)		01
* VR601	V8393200	Rotary Variable Resistor	RD 5.0K XV09213P	GAIN(CH6)		
* VR602	V8264700	Rotary Variable Resistor	B 50.0K XV09213P	LOW(CH6)		01
* VR603	V8264700	Rotary Variable Resistor	B 50.0K XV09213P	HIGH(CH6)		01
VR604	VZ611200	Rotary Variable Resistor	C 100K RK12L123	MID-f(CH6)		05
* VR605	V8393300	Rotary Variable Resistor	W 20.0K XV09213P	MID(CH6)		
VR606	VU804100	Slide Variable Resistor	RS6011YG6036-10KA	FADER(CH6)		04
VR607	VZ610800	Rotary Variable Resistor	AC 20K RK12L123	PAN(CH6)		03
* VR608	V8264600	Rotary Variable Resistor	A 20.0K XV09213P	AUX1(CH6)		01
* VR609	V8264600	Rotary Variable Resistor	A 20.0K XV09213P	AUX2(CH6)		01
* VR610	V8264600	Rotary Variable Resistor	A 20.0K XV09213P	EFFECT1(CH6)		01
* VR611	V8264600	Rotary Variable Resistor	A 20.0K XV09213P	EFFECT2(CH6)		01
* VR701	V8393200	Rotary Variable Resistor	RD 5.0K XV09213P	GAIN(CH7)		
* VR702	V8264700	Rotary Variable Resistor	B 50.0K XV09213P	LOW(CH7)		01
* VR703	V8264700	Rotary Variable Resistor	B 50.0K XV09213P	HIGH(CH7)		01
VR704	VZ611200	Rotary Variable Resistor	C 100K RK12L123	MID-f(CH7)		05
* VR705	V8393300	Rotary Variable Resistor	W 20.0K XV09213P	MID(CH7)		
VR706	VU804100	Slide Variable Resistor	RS6011YG6036-10KA	FADER(CH7)		04
VR707	VZ610800	Rotary Variable Resistor	AC 20K RK12L123	PAN(CH7)		03
* VR708	V8264600	Rotary Variable Resistor	A 20.0K XV09213P	AUX1(CH7)		01
* VR709	V8264600	Rotary Variable Resistor	A 20.0K XV09213P	AUX2(CH7)		01
* VR710	V8264600	Rotary Variable Resistor	A 20.0K XV09213P	EFFECT1(CH7)		01
* VR711	V8264600	Rotary Variable Resistor	A 20.0K XV09213P	EFFECT2(CH7)		01
* VR801	V8393200	Rotary Variable Resistor	RD 5.0K XV09213P	GAIN(CH8)		
* VR802	V8264700	Rotary Variable Resistor	B 50.0K XV09213P	LOW(CH8)		01
* VR803	V8264700	Rotary Variable Resistor	B 50.0K XV09213P	HIGH(CH8)		01
VR804	VZ611200	Rotary Variable Resistor	C 100K RK12L123	MID-f(CH8)		05
* VR805	V8393300	Rotary Variable Resistor	W 20.0K XV09213P	MID(CH8)		
VR806	VU804100	Slide Variable Resistor	RS6011YG6036-10KA	FADER(CH8)		04
VR807	VZ610800	Rotary Variable Resistor	AC 20K RK12L123	PAN(CH8)		03
* VR808	V8264600	Rotary Variable Resistor	A 20.0K XV09213P	AUX1(CH8)		01
* VR809	V8264600	Rotary Variable Resistor	A 20.0K XV09213P	AUX2(CH8)		01
* VR810	V8264600	Rotary Variable Resistor	A 20.0K XV09213P	EFFECT1(CH8)		01
* VR811	V8264600	Rotary Variable Resistor	A 20.0K XV09213P	EFFECT2(CH8)		01
ZD101	VU171800	Zener Diode	UDZ 4.7BTE-17 4.7V			01
ZD201	VU171800	Zener Diode	UDZ 4.7BTE-17 4.7V			01
ZD301	VU171800	Zener Diode	UDZ 4.7BTE-17 4.7V			01
ZD401	VU171800	Zener Diode	UDZ 4.7BTE-17 4.7V			01
ZD501	VU171800	Zener Diode	UDZ 4.7BTE-17 4.7V			01
ZD601	VU171800	Zener Diode	UDZ 4.7BTE-17 4.7V			01
ZD701	VU171800	Zener Diode	UDZ 4.7BTE-17 4.7V			01
ZD801	VU171800	Zener Diode	UDZ 4.7BTE-17 4.7V			01
* V9093100	V4467500	Circuit Board Button	IN16 CD-GRAY/WHITE	EMX5000-20 (X0655B0) PLF(CH9-16),AUX1(CH9-16) AUX2(CH9-16),GAIN 0dB(CH9-16),GAIN 26dB(CH9-16)	40	01
	VV307300	LED Spacer			25	01
	VZ968600	Button	NO.947 CD-GRAY	CH ON(CH9-16)	8	01
	--	Jumper Wire	0.60	(VV29140)	319	01
	--	Jumper Wire	0.60 TP	(V829020)	21	01
C101	VV488800	Electrolytic Cap.-LLM	10.00 50.0V			01
C102	VV488800	Electrolytic Cap.-LLM	10.00 50.0V			01
C103	UR847100	Electrolytic Cap.	10.00 25.0V			01
C104	UR847100	Electrolytic Cap.	10.00 25.0V			01
* C105	UX062820	Ceramic Capacitor (Chip)	820P 50V K			

*: New Parts

RANK: Japan only

REF NO.	PART NO.	DESCRIPTION	REMARKS	QTY	RANK
* -107	UX062820	Ceramic Capacitor (Chip)	820P 50V K		
C108	UX061100	Ceramic Capacitor (Chip)	10P 50V D		01
C109	UR828470	Electrolytic Cap.	470.00 10.0V		01
* C110	UX062820	Ceramic Capacitor (Chip)	820P 50V K		
C111	UX061100	Ceramic Capacitor (Chip)	10P 50V D		01
C112	UX062470	Ceramic Capacitor (Chip)	470P 50V J		
C113	UX061330	Ceramic Capacitor (Chip)	33P 50V J		
C114	UR847100	Electrolytic Cap.	10.00 25.0V		01
C115	VZ597300	Mylar Capacitor	0.091 50V J		01
C116	VZ597300	Mylar Capacitor	0.091 50V J		01
C117	UX062100	Ceramic Capacitor (Chip)	100P 50V J		01
C118	UR847100	Electrolytic Cap.	10.00 25.0V		01
C119	UR847100	Electrolytic Cap.	10.00 25.0V		01
C120	UA954390	Mylar Capacitor	0.0390 50V J		01
C121	VV190000	Mylar Capacitor	820P 50V J		01
C122	UX061470	Ceramic Capacitor (Chip)	47P 50V J		
C123	UX062100	Ceramic Capacitor (Chip)	100P 50V J		01
C124	UA953390	Mylar Capacitor	3900P 50V J		01
C125	UX062100	Ceramic Capacitor (Chip)	100P 50V J		01
C126	UA954100	Mylar Capacitor	0.0100 50V J		01
C127	UX061220	Ceramic Capacitor (Chip)	22P 50V J		01
C128	UR847470	Electrolytic Cap.	47.00 25.0V		01
C129	UR847100	Electrolytic Cap.	10.00 25.0V		01
C130	UX063100	Ceramic Capacitor (Chip)	1000P 50V K		01
C131	UR866470	Electrolytic Cap.	4.70 50.0V		01
C132	UX062100	Ceramic Capacitor (Chip)	100P 50V J		01
-134	UX062100	Ceramic Capacitor (Chip)	100P 50V J		01
C135	UR847470	Electrolytic Cap.	47.00 25.0V		01
C136	UR866470	Electrolytic Cap.	4.70 50.0V		01
C137	UR847100	Electrolytic Cap.	10.00 25.0V		01
C138	UX062100	Ceramic Capacitor (Chip)	100P 50V J		01
C139	UX062100	Ceramic Capacitor (Chip)	100P 50V J		01
C140	UX061470	Ceramic Capacitor (Chip)	47P 50V J		
C141	UR847470	Electrolytic Cap.	47.00 25.0V		01
C142	UR877100	Electrolytic Cap.	10.00 63.0V		01
C143	UX064100	Ceramic Capacitor (Chip)	0.0100 50V K		01
-156	UX064100	Ceramic Capacitor (Chip)	0.0100 50V K		01
C201	VV488800	Electrolytic Cap.-LLM	10.00 50.0V		01
C202	VV488800	Electrolytic Cap.-LLM	10.00 50.0V		01
C203	UR847100	Electrolytic Cap.	10.00 25.0V		01
C204	UR847100	Electrolytic Cap.	10.00 25.0V		01
* C205	UX062820	Ceramic Capacitor (Chip)	820P 50V K		
* -207	UX062820	Ceramic Capacitor (Chip)	820P 50V K		
C208	UX061100	Ceramic Capacitor (Chip)	10P 50V D		01
C209	UR828470	Electrolytic Cap.	470.00 10.0V		01
* C210	UX062820	Ceramic Capacitor (Chip)	820P 50V K		
C211	UX061100	Ceramic Capacitor (Chip)	10P 50V D		01
C212	UX062470	Ceramic Capacitor (Chip)	470P 50V J		
C213	UX061330	Ceramic Capacitor (Chip)	33P 50V J		
C214	UR847100	Electrolytic Cap.	10.00 25.0V		01
C215	VZ597300	Mylar Capacitor	0.091 50V J		01
C216	VZ597300	Mylar Capacitor	0.091 50V J		01
C217	UX062100	Ceramic Capacitor (Chip)	100P 50V J		01
C218	UR847100	Electrolytic Cap.	10.00 25.0V		01
C219	UR847100	Electrolytic Cap.	10.00 25.0V		01
C220	UA954390	Mylar Capacitor	0.0390 50V J		01
C221	VV190000	Mylar Capacitor	820P 50V J		01
C222	UX061470	Ceramic Capacitor (Chip)	47P 50V J		
C223	UX062100	Ceramic Capacitor (Chip)	100P 50V J		01
C224	UA953390	Mylar Capacitor	3900P 50V J		01
C225	UX062100	Ceramic Capacitor (Chip)	100P 50V J		01
C226	UA954100	Mylar Capacitor	0.0100 50V J		01
C227	UX061220	Ceramic Capacitor (Chip)	22P 50V J		01
C228	UR847470	Electrolytic Cap.	47.00 25.0V		01
C229	UR847100	Electrolytic Cap.	10.00 25.0V		01
C230	UX063100	Ceramic Capacitor (Chip)	1000P 50V K		01
C231	UR866470	Electrolytic Cap.	4.70 50.0V		01
C232	UX062100	Ceramic Capacitor (Chip)	100P 50V J		01
-234	UX062100	Ceramic Capacitor (Chip)	100P 50V J		01
C235	UR847470	Electrolytic Cap.	47.00 25.0V		01

*: New Parts

RANK: Japan only

REF NO.	PART NO.	DESCRIPTION		REMARKS	QTY	RANK
C236	UR866470	Electrolytic Cap.	4.70 50.0V			01
C237	UR847100	Electrolytic Cap.	10.00 25.0V			01
C238	UX062100	Ceramic Capacitor (Chip)	100P 50V J			01
C239	UX062100	Ceramic Capacitor (Chip)	100P 50V J			01
C240	UX061470	Ceramic Capacitor (Chip)	47P 50V J			
C241	UR847470	Electrolytic Cap.	47.00 25.0V			01
C242	UX064100	Ceramic Capacitor (Chip)	0.0100 50V K			01
C243	UX064100	Ceramic Capacitor (Chip)	0.0100 50V K			01
C301	VV488800	Electrolytic Cap.-LLM	10.00 50.0V			01
C302	VV488800	Electrolytic Cap.-LLM	10.00 50.0V			01
C303	UR847100	Electrolytic Cap.	10.00 25.0V			01
C304	UR847100	Electrolytic Cap.	10.00 25.0V			01
* C305	UX062820	Ceramic Capacitor (Chip)	820P 50V K			
* -307	UX062820	Ceramic Capacitor (Chip)	820P 50V K			
C308	UX061100	Ceramic Capacitor (Chip)	10P 50V D			01
C309	UR828470	Electrolytic Cap.	470.00 10.0V			01
* C310	UX062820	Ceramic Capacitor (Chip)	820P 50V K			
C311	UX061100	Ceramic Capacitor (Chip)	10P 50V D			01
C312	UX062470	Ceramic Capacitor (Chip)	470P 50V J			
C313	UX061330	Ceramic Capacitor (Chip)	33P 50V J			
C314	UR847100	Electrolytic Cap.	10.00 25.0V			01
C315	VZ597300	Mylar Capacitor	0.091 50V J			01
C316	VZ597300	Mylar Capacitor	0.091 50V J			01
C317	UX062100	Ceramic Capacitor (Chip)	100P 50V J			01
C318	UR847100	Electrolytic Cap.	10.00 25.0V			01
C319	UR847100	Electrolytic Cap.	10.00 25.0V			01
C320	UA954390	Mylar Capacitor	0.0390 50V J			01
C321	VV190000	Mylar Capacitor	820P 50V J			01
C322	UX061470	Ceramic Capacitor (Chip)	47P 50V J			
C323	UX062100	Ceramic Capacitor (Chip)	100P 50V J			01
C324	UA953390	Mylar Capacitor	3900P 50V J			01
C325	UX062100	Ceramic Capacitor (Chip)	100P 50V J			01
C326	UA954100	Mylar Capacitor	0.0100 50V J			01
C327	UX061220	Ceramic Capacitor (Chip)	22P 50V J			01
C328	UR847470	Electrolytic Cap.	47.00 25.0V			01
C329	UR847100	Electrolytic Cap.	10.00 25.0V			01
C330	UX063100	Ceramic Capacitor (Chip)	1000P 50V K			01
C331	UR866470	Electrolytic Cap.	4.70 50.0V			01
C332	UX062100	Ceramic Capacitor (Chip)	100P 50V J			01
-334	UX062100	Ceramic Capacitor (Chip)	100P 50V J			01
C335	UR847470	Electrolytic Cap.	47.00 25.0V			01
C336	UR866470	Electrolytic Cap.	4.70 50.0V			01
C337	UR847100	Electrolytic Cap.	10.00 25.0V			01
C338	UX062100	Ceramic Capacitor (Chip)	100P 50V J			01
C339	UX062100	Ceramic Capacitor (Chip)	100P 50V J			01
C340	UX061470	Ceramic Capacitor (Chip)	47P 50V J			
C341	UR847470	Electrolytic Cap.	47.00 25.0V			01
C342	UX064100	Ceramic Capacitor (Chip)	0.0100 50V K			01
-355	UX064100	Ceramic Capacitor (Chip)	0.0100 50V K			01
C401	VV488800	Electrolytic Cap.-LLM	10.00 50.0V			01
C402	VV488800	Electrolytic Cap.-LLM	10.00 50.0V			01
C403	UR847100	Electrolytic Cap.	10.00 25.0V			01
C404	UR847100	Electrolytic Cap.	10.00 25.0V			01
* C405	UX062820	Ceramic Capacitor (Chip)	820P 50V K			
* -407	UX062820	Ceramic Capacitor (Chip)	820P 50V K			
C408	UX061100	Ceramic Capacitor (Chip)	10P 50V D			01
C409	UR828470	Electrolytic Cap.	470.00 10.0V			01
* C410	UX062820	Ceramic Capacitor (Chip)	820P 50V K			
C411	UX061100	Ceramic Capacitor (Chip)	10P 50V D			01
C412	UX062470	Ceramic Capacitor (Chip)	470P 50V J			
C413	UX061330	Ceramic Capacitor (Chip)	33P 50V J			
C414	UR847100	Electrolytic Cap.	10.00 25.0V			01
C415	VZ597300	Mylar Capacitor	0.091 50V J			01
C416	VZ597300	Mylar Capacitor	0.091 50V J			01
C417	UX062100	Ceramic Capacitor (Chip)	100P 50V J			01
C418	UR847100	Electrolytic Cap.	10.00 25.0V			01
C419	UR847100	Electrolytic Cap.	10.00 25.0V			01
C420	UA954390	Mylar Capacitor	0.0390 50V J			01
C421	VV190000	Mylar Capacitor	820P 50V J			01
C422	UX061470	Ceramic Capacitor (Chip)	47P 50V J			

*: New Parts

RANK: Japan only

REF NO.	PART NO.	DESCRIPTION		REMARKS	QTY	RANK
C423	UX062100	Ceramic Capacitor (Chip)	100P 50V J			01
C424	UA953390	Mylar Capacitor	3900P 50V J			01
C425	UX062100	Ceramic Capacitor (Chip)	100P 50V J			01
C426	UA954100	Mylar Capacitor	0.0100 50V J			01
C427	UX061220	Ceramic Capacitor (Chip)	22P 50V J			01
C428	UR847470	Electrolytic Cap.	47.00 25.0V			01
C429	UR847100	Electrolytic Cap.	10.00 25.0V			01
C430	UX063100	Ceramic Capacitor (Chip)	1000P 50V K			01
C431	UR866470	Electrolytic Cap.	4.70 50.0V			01
C432	UX062100	Ceramic Capacitor (Chip)	100P 50V J			01
-434	UX062100	Ceramic Capacitor (Chip)	100P 50V J			01
C435	UR847470	Electrolytic Cap.	47.00 25.0V			01
C436	UR866470	Electrolytic Cap.	4.70 50.0V			01
C437	UR847100	Electrolytic Cap.	10.00 25.0V			01
C438	UX062100	Ceramic Capacitor (Chip)	100P 50V J			01
C439	UX062100	Ceramic Capacitor (Chip)	100P 50V J			01
C440	UX061470	Ceramic Capacitor (Chip)	47P 50V J			01
C441	UR847470	Electrolytic Cap.	47.00 25.0V			01
C442	UX064100	Ceramic Capacitor (Chip)	0.0100 50V K			01
C443	UX064100	Ceramic Capacitor (Chip)	0.0100 50V K			01
C501	VV488800	Electrolytic Cap.-LLM	10.00 50.0V			01
C502	VV488800	Electrolytic Cap.-LLM	10.00 50.0V			01
C503	UR847100	Electrolytic Cap.	10.00 25.0V			01
C504	UR847100	Electrolytic Cap.	10.00 25.0V			01
* C505	UX062820	Ceramic Capacitor (Chip)	820P 50V K			01
* -507	UX062820	Ceramic Capacitor (Chip)	820P 50V K			01
C508	UX061100	Ceramic Capacitor (Chip)	10P 50V D			01
C509	UR828470	Electrolytic Cap.	470.00 10.0V			01
* C510	UX062820	Ceramic Capacitor (Chip)	820P 50V K			01
C511	UX061100	Ceramic Capacitor (Chip)	10P 50V D			01
C512	UX062470	Ceramic Capacitor (Chip)	470P 50V J			01
C513	UX061330	Ceramic Capacitor (Chip)	33P 50V J			01
C514	UR847100	Electrolytic Cap.	10.00 25.0V			01
C515	VZ597300	Mylar Capacitor	0.091 50V J			01
C516	VZ597300	Mylar Capacitor	0.091 50V J			01
C517	UX062100	Ceramic Capacitor (Chip)	100P 50V J			01
C518	UR847100	Electrolytic Cap.	10.00 25.0V			01
C519	UR847100	Electrolytic Cap.	10.00 25.0V			01
C520	UA954390	Mylar Capacitor	0.0390 50V J			01
C521	VV190000	Mylar Capacitor	820P 50V J			01
C522	UX061470	Ceramic Capacitor (Chip)	47P 50V J			01
C523	UX062100	Ceramic Capacitor (Chip)	100P 50V J			01
C524	UA953390	Mylar Capacitor	3900P 50V J			01
C525	UX062100	Ceramic Capacitor (Chip)	100P 50V J			01
C526	UA954100	Mylar Capacitor	0.0100 50V J			01
C527	UX061220	Ceramic Capacitor (Chip)	22P 50V J			01
C528	UR847470	Electrolytic Cap.	47.00 25.0V			01
C529	UR847100	Electrolytic Cap.	10.00 25.0V			01
C530	UX063100	Ceramic Capacitor (Chip)	1000P 50V K			01
C531	UR866470	Electrolytic Cap.	4.70 50.0V			01
C532	UX062100	Ceramic Capacitor (Chip)	100P 50V J			01
-534	UX062100	Ceramic Capacitor (Chip)	100P 50V J			01
C535	UR847470	Electrolytic Cap.	47.00 25.0V			01
C536	UR866470	Electrolytic Cap.	4.70 50.0V			01
C537	UR847100	Electrolytic Cap.	10.00 25.0V			01
C538	UX062100	Ceramic Capacitor (Chip)	100P 50V J			01
C539	UX062100	Ceramic Capacitor (Chip)	100P 50V J			01
C540	UX061470	Ceramic Capacitor (Chip)	47P 50V J			01
C541	UR847470	Electrolytic Cap.	47.00 25.0V			01
C542	UR877100	Electrolytic Cap.	10.00 63.0V			01
C543	UX064100	Ceramic Capacitor (Chip)	0.0100 50V K			01
-556	UX064100	Ceramic Capacitor (Chip)	0.0100 50V K			01
C601	VV488800	Electrolytic Cap.-LLM	10.00 50.0V			01
C602	VV488800	Electrolytic Cap.-LLM	10.00 50.0V			01
C603	UR847100	Electrolytic Cap.	10.00 25.0V			01
C604	UR847100	Electrolytic Cap.	10.00 25.0V			01
* C605	UX062820	Ceramic Capacitor (Chip)	820P 50V K			01
* -607	UX062820	Ceramic Capacitor (Chip)	820P 50V K			01
C608	UX061100	Ceramic Capacitor (Chip)	10P 50V D			01
C609	UR828470	Electrolytic Cap.	470.00 10.0V			01

*: New Parts

RANK: Japan only

REF NO.	PART NO.	DESCRIPTION		REMARKS	QTY	RANK
* C610	UX062820	Ceramic Capacitor (Chip)	820P 50V K			
C611	UX061100	Ceramic Capacitor (Chip)	10P 50V D			01
C612	UX062470	Ceramic Capacitor (Chip)	470P 50V J			
C613	UX061330	Ceramic Capacitor (Chip)	33P 50V J			
C614	UR847100	Electrolytic Cap.	10.00 25.0V			01
C615	VZ597300	Mylar Capacitor	0.091 50V J			01
C616	VZ597300	Mylar Capacitor	0.091 50V J			01
C617	UX062100	Ceramic Capacitor (Chip)	100P 50V J			01
C618	UR847100	Electrolytic Cap.	10.00 25.0V			01
C619	UR847100	Electrolytic Cap.	10.00 25.0V			01
C620	UA954390	Mylar Capacitor	0.0390 50V J			01
C621	VV190000	Mylar Capacitor	820P 50V J			01
C622	UX061470	Ceramic Capacitor (Chip)	47P 50V J			
C623	UX062100	Ceramic Capacitor (Chip)	100P 50V J			01
C624	UA953390	Mylar Capacitor	3900P 50V J			01
C625	UX062100	Ceramic Capacitor (Chip)	100P 50V J			01
C626	UA954100	Mylar Capacitor	0.0100 50V J			01
C627	UX061220	Ceramic Capacitor (Chip)	22P 50V J			01
C628	UR847470	Electrolytic Cap.	47.00 25.0V			01
C629	UR847100	Electrolytic Cap.	10.00 25.0V			01
C630	UX063100	Ceramic Capacitor (Chip)	1000P 50V K			01
C631	UR866470	Electrolytic Cap.	4.70 50.0V			01
C632	UX062100	Ceramic Capacitor (Chip)	100P 50V J			01
-634	UX062100	Ceramic Capacitor (Chip)	100P 50V J			01
C635	UR847470	Electrolytic Cap.	47.00 25.0V			01
C636	UR866470	Electrolytic Cap.	4.70 50.0V			01
C637	UR847100	Electrolytic Cap.	10.00 25.0V			01
C638	UX062100	Ceramic Capacitor (Chip)	100P 50V J			01
C639	UX062100	Ceramic Capacitor (Chip)	100P 50V J			01
C640	UX061470	Ceramic Capacitor (Chip)	47P 50V J			
C641	UR847470	Electrolytic Cap.	47.00 25.0V			01
C642	UX064100	Ceramic Capacitor (Chip)	0.0100 50V K			01
C643	UX064100	Ceramic Capacitor (Chip)	0.0100 50V K			01
C701	VV488800	Electrolytic Cap.-LLM	10.00 50.0V			01
C702	VV488800	Electrolytic Cap.-LLM	10.00 50.0V			01
C703	UR847100	Electrolytic Cap.	10.00 25.0V			01
C704	UR847100	Electrolytic Cap.	10.00 25.0V			01
* C705	UX062820	Ceramic Capacitor (Chip)	820P 50V K			
-707	UX062820	Ceramic Capacitor (Chip)	820P 50V K			
C708	UX061100	Ceramic Capacitor (Chip)	10P 50V D			01
C709	UR828470	Electrolytic Cap.	470.00 10.0V			01
* C710	UX062820	Ceramic Capacitor (Chip)	820P 50V K			
C711	UX061100	Ceramic Capacitor (Chip)	10P 50V D			01
C712	UX062470	Ceramic Capacitor (Chip)	470P 50V J			
C713	UX061330	Ceramic Capacitor (Chip)	33P 50V J			
C714	UR847100	Electrolytic Cap.	10.00 25.0V			01
C715	VZ597300	Mylar Capacitor	0.091 50V J			01
C716	VZ597300	Mylar Capacitor	0.091 50V J			01
C717	UX062100	Ceramic Capacitor (Chip)	100P 50V J			01
C718	UR847100	Electrolytic Cap.	10.00 25.0V			01
C719	UR847100	Electrolytic Cap.	10.00 25.0V			01
C720	UA954390	Mylar Capacitor	0.0390 50V J			01
C721	VV190000	Mylar Capacitor	820P 50V J			01
C722	UX061470	Ceramic Capacitor (Chip)	47P 50V J			
C723	UX062100	Ceramic Capacitor (Chip)	100P 50V J			01
C724	UA953390	Mylar Capacitor	3900P 50V J			01
C725	UX062100	Ceramic Capacitor (Chip)	100P 50V J			01
C726	UA954100	Mylar Capacitor	0.0100 50V J			01
C727	UX061220	Ceramic Capacitor (Chip)	22P 50V J			01
C728	UR847470	Electrolytic Cap.	47.00 25.0V			01
C729	UR847100	Electrolytic Cap.	10.00 25.0V			01
C730	UX063100	Ceramic Capacitor (Chip)	1000P 50V K			01
C731	UR866470	Electrolytic Cap.	4.70 50.0V			01
C732	UX062100	Ceramic Capacitor (Chip)	100P 50V J			01
-734	UX062100	Ceramic Capacitor (Chip)	100P 50V J			01
C735	UR847470	Electrolytic Cap.	47.00 25.0V			01
C736	UR866470	Electrolytic Cap.	4.70 50.0V			01
C737	UR847100	Electrolytic Cap.	10.00 25.0V			01
C738	UX062100	Ceramic Capacitor (Chip)	100P 50V J			01
C739	UX062100	Ceramic Capacitor (Chip)	100P 50V J			01

*: New Parts

RANK: Japan only

REF NO.	PART NO.	DESCRIPTION		REMARKS	QTY	RANK
C740	UX061470	Ceramic Capacitor (Chip)	47P 50V J			
C741	UR847470	Electrolytic Cap.	47.00 25.0V			01
C742	UX064100	Ceramic Capacitor (Chip)	0.0100 50V K			01
-755	UX064100	Ceramic Capacitor (Chip)	0.0100 50V K			01
C801	VV488800	Electrolytic Cap.-LLM	10.00 50.0V			01
C802	VV488800	Electrolytic Cap.-LLM	10.00 50.0V			01
C803	UR847100	Electrolytic Cap.	10.00 25.0V			01
C804	UR847100	Electrolytic Cap.	10.00 25.0V			01
* C805	UX062820	Ceramic Capacitor (Chip)	820P 50V K			
* -807	UX062820	Ceramic Capacitor (Chip)	820P 50V K			
C808	UX061100	Ceramic Capacitor (Chip)	10P 50V D			01
C809	UR828470	Electrolytic Cap.	470.00 10.0V			01
* C810	UX062820	Ceramic Capacitor (Chip)	820P 50V K			
C811	UX061100	Ceramic Capacitor (Chip)	10P 50V D			01
C812	UX062470	Ceramic Capacitor (Chip)	470P 50V J			
C813	UX061330	Ceramic Capacitor (Chip)	33P 50V J			
C814	UR847100	Electrolytic Cap.	10.00 25.0V			01
C815	VZ597300	Mylar Capacitor	0.091 50V J			01
C816	VZ597300	Mylar Capacitor	0.091 50V J			01
C817	UX062100	Ceramic Capacitor (Chip)	100P 50V J			01
C818	UR847100	Electrolytic Cap.	10.00 25.0V			01
C819	UR847100	Electrolytic Cap.	10.00 25.0V			01
C820	UA954390	Mylar Capacitor	0.0390 50V J			01
C821	VV190000	Mylar Capacitor	820P 50V J			01
C822	UX061470	Ceramic Capacitor (Chip)	47P 50V J			
C823	UX062100	Ceramic Capacitor (Chip)	100P 50V J			01
C824	UA953390	Mylar Capacitor	3900P 50V J			01
C825	UX062100	Ceramic Capacitor (Chip)	100P 50V J			01
C826	UA954100	Mylar Capacitor	0.0100 50V J			01
C827	UX061220	Ceramic Capacitor (Chip)	22P 50V J			01
C828	UR847470	Electrolytic Cap.	47.00 25.0V			01
C829	UR847100	Electrolytic Cap.	10.00 25.0V			01
C830	UX063100	Ceramic Capacitor (Chip)	1000P 50V K			01
C831	UR866470	Electrolytic Cap.	4.70 50.0V			01
C832	UX062100	Ceramic Capacitor (Chip)	100P 50V J			01
-834	UX062100	Ceramic Capacitor (Chip)	100P 50V J			01
C835	UR847470	Electrolytic Cap.	47.00 25.0V			01
C836	UR866470	Electrolytic Cap.	4.70 50.0V			01
C837	UR847100	Electrolytic Cap.	10.00 25.0V			01
C838	UX062100	Ceramic Capacitor (Chip)	100P 50V J			01
C839	UX062100	Ceramic Capacitor (Chip)	100P 50V J			01
C840	UX061470	Ceramic Capacitor (Chip)	47P 50V J			
C841	UR847470	Electrolytic Cap.	47.00 25.0V			01
C842	UX064100	Ceramic Capacitor (Chip)	0.0100 50V K			01
C843	UX064100	Ceramic Capacitor (Chip)	0.0100 50V K			01
CN901	V2156500	FMN Connector	FMN 12P TE			03
-904	V2156500	FMN Connector	FMN 12P TE			03
D101	VT332900	Diode	1SS355 TE-17			01
D102	VT332900	Diode	1SS355 TE-17			01
D201	VT332900	Diode	1SS355 TE-17			01
D202	VT332900	Diode	1SS355 TE-17			01
D301	VT332900	Diode	1SS355 TE-17			01
D302	VT332900	Diode	1SS355 TE-17			01
D401	VT332900	Diode	1SS355 TE-17			01
D402	VT332900	Diode	1SS355 TE-17			01
D501	VT332900	Diode	1SS355 TE-17			01
D502	VT332900	Diode	1SS355 TE-17			01
D601	VT332900	Diode	1SS355 TE-17			01
D602	VT332900	Diode	1SS355 TE-17			01
D701	VT332900	Diode	1SS355 TE-17			01
D702	VT332900	Diode	1SS355 TE-17			01
D801	VT332900	Diode	1SS355 TE-17			01
D802	VT332900	Diode	1SS355 TE-17			01
IC101	XJ553A00	IC	NJM2068MD-T1	OP AMP		02
-105	XJ553A00	IC	NJM2068MD-T1	OP AMP		02
IC106	IG103520	IC	NJM4558M(T1)	OP AMP		03
IC107	XJ553A00	IC	NJM2068MD-T1	OP AMP		02
IC201	XJ553A00	IC	NJM2068MD-T1	OP AMP		02
IC301	XJ553A00	IC	NJM2068MD-T1	OP AMP		02
-305	XJ553A00	IC	NJM2068MD-T1	OP AMP		02

*: New Parts

RANK: Japan only

REF NO.	PART NO.	DESCRIPTION		REMARKS	QTY	RANK
IC306	IG103520	IC	NJM4558M(T1)	OP AMP		03
IC307	XJ553A00	IC	NJM2068MD-T1	OP AMP		02
IC401	XJ553A00	IC	NJM2068MD-T1	OP AMP		02
IC501	XJ553A00	IC	NJM2068MD-T1	OP AMP		02
-505	XJ553A00	IC	NJM2068MD-T1	OP AMP		02
IC506	IG103520	IC	NJM4558M(T1)	OP AMP		03
IC507	XJ553A00	IC	NJM2068MD-T1	OP AMP		02
IC601	XJ553A00	IC	NJM2068MD-T1	OP AMP		02
IC701	XJ553A00	IC	NJM2068MD-T1	OP AMP		02
-705	XJ553A00	IC	NJM2068MD-T1	OP AMP		02
IC706	IG103520	IC	NJM4558M(T1)	OP AMP		03
IC707	XJ553A00	IC	NJM2068MD-T1	OP AMP		02
IC801	XJ553A00	IC	NJM2068MD-T1	OP AMP		02
JK101	V6127200	XLM Connector	JACK JY-5042	INPUT A(CH9)		03
JK102	V3939200	Phone Jack	JY6351J-46-250 2SW	INPUT B(CH9)		02
JK103	V2886000	Phone Jack	JY-6351J-06-340	INSERT(CH9)		02
JK201	V6127200	XLM Connector	JACK JY-5042	INPUT A(CH10)		03
JK202	V3939200	Phone Jack	JY6351J-46-250 2SW	INPUT B(CH10)		02
JK203	V2886000	Phone Jack	JY-6351J-06-340	INSERT(CH10)		02
JK301	V6127200	XLM Connector	JACK JY-5042	INPUT A(CH11)		03
JK302	V3939200	Phone Jack	JY6351J-46-250 2SW	INPUT B(CH11)		02
JK303	V2886000	Phone Jack	JY-6351J-06-340	INSERT(CH11)		02
JK401	V6127200	XLM Connector	JACK JY-5042	INPUT A(CH12)		03
JK402	V3939200	Phone Jack	JY6351J-46-250 2SW	INPUT B(CH412)		02
JK403	V2886000	Phone Jack	JY-6351J-06-340	INSERT(CH12)		02
JK501	V6127200	XLM Connector	JACK JY-5042	INPUT A(CH13)		03
JK502	V3939200	Phone Jack	JY6351J-46-250 2SW	INPUT B(CH13)		02
JK503	V2886000	Phone Jack	JY-6351J-06-340	INSERT(CH13)		02
JK601	V6127200	XLM Connector	JACK JY-5042	INPUT A(CH14)		03
JK602	V3939200	Phone Jack	JY6351J-46-250 2SW	INPUT B(CH14)		02
JK603	V2886000	Phone Jack	JY-6351J-06-340	INSERT(CH14)		02
JK701	V6127200	XLM Connector	JACK JY-5042	INPUT A(CH15)		03
JK702	V3939200	Phone Jack	JY6351J-46-250 2SW	INPUT B(CH15)		02
JK703	V2886000	Phone Jack	JY-6351J-06-340	INSERT(CH15)		02
JK801	V6127200	XLM Connector	JACK JY-5042	INPUT A(CH16)		03
JK802	V3939200	Phone Jack	JY6351J-46-250 2SW	INPUT B(CH16)		02
JK803	V2886000	Phone Jack	JY-6351J-06-340	INSERT(CH16)		02
* LD101	V8840400	LED	L34YD-TNB5/13.6 YE	ON(CH9)		01
* LD102	V8840100	LED	L34HD-TNB5/13.6 RE	PEAK(CH9)		01
* LD103	V8840200	LED	L34GD-TNB5/13.6 GR	SIGNAL(CH9)		01
* LD201	V8840400	LED	L34YD-TNB5/13.6 YE	ON(CH10)		01
* LD202	V8840100	LED	L34HD-TNB5/13.6 RE	PEAK(CH10)		01
* LD203	V8840200	LED	L34GD-TNB5/13.6 GR	SIGNAL(CH10)		01
* LD301	V8840400	LED	L34YD-TNB5/13.6 YE	ON(CH11)		01
* LD302	V8840100	LED	L34HD-TNB5/13.6 RE	PEAK(CH11)		01
* LD303	V8840200	LED	L34GD-TNB5/13.6 GR	SIGNAL(CH11)		01
* LD401	V8840400	LED	L34YD-TNB5/13.6 YE	ON(CH12)		01
* LD402	V8840100	LED	L34HD-TNB5/13.6 RE	PEAK(CH12)		01
* LD403	V8840200	LED	L34GD-TNB5/13.6 GR	SIGNAL(CH12)		01
* LD501	V8840400	LED	L34YD-TNB5/13.6 YE	ON(CH13)		01
* LD502	V8840100	LED	L34HD-TNB5/13.6 RE	PEAK(CH13)		01
* LD503	V8840200	LED	L34GD-TNB5/13.6 GR	SIGNAL(CH13)		01
* LD601	V8840400	LED	L34YD-TNB5/13.6 YE	ON(CH14)		01
* LD602	V8840100	LED	L34HD-TNB5/13.6 RE	PEAK(CH14)		01
* LD603	V8840200	LED	L34GD-TNB5/13.6 GR	SIGNAL(CH14)		01
* LD701	V8840400	LED	L34YD-TNB5/13.6 YE	ON(CH15)		01
* LD702	V8840100	LED	L34HD-TNB5/13.6 RE	PEAK(CH15)		01
* LD703	V8840200	LED	L34GD-TNB5/13.6 GR	SIGNAL(CH15)		01
* LD801	V8840400	LED	L34YD-TNB5/13.6 YE	ON(CH16)		01
* LD802	V8840100	LED	L34HD-TNB5/13.6 RE	PEAK(CH16)		01
* LD803	V8840200	LED	L34GD-TNB5/13.6 GR	SIGNAL(CH16)		01
* LD901	V8840100	LED	L34HD-TNB5/13.6 RE	PHANTOM		01
* Q101	V7421700	Transistor (chip)	2SC2SC3324 GR,BL			01
* Q102	V7421700	Transistor (chip)	2SC2SC3324 GR,BL			01
* Q103	V7421800	Transistor	2SA2SA1312 GR,BL			01
* Q104	VV556400	Transistor	2SC2412K Q,R,S			01
* Q201	V7421700	Transistor (chip)	2SC2SC3324 GR,BL			01
* Q202	V7421700	Transistor (chip)	2SC2SC3324 GR,BL			01
* Q203	V7421800	Transistor	2SA2SA1312 GR,BL			01
* Q204	VV556400	Transistor	2SC2412K Q,R,S			01

*: New Parts

RANK: Japan only

REF NO.	PART NO.	DESCRIPTION	REMARKS	QTY	RANK
* Q301	V7421700	Transistor (chip)	2SC2SC3324 GR,BL		01
* Q302	V7421700	Transistor (chip)	2SC2SC3324 GR,BL		01
* Q303	V7421800	Transistor	2SA2SA1312 GR,BL		01
Q304	VV556400	Transistor	"2SC2412K Q,R,S "		01
* Q401	V7421700	Transistor (chip)	"2SC2SC3324 GR,BL "		01
* Q402	V7421700	Transistor (chip)	"2SC2SC3324 GR,BL "		01
* Q403	V7421800	Transistor	"2SA2SA1312 GR,BL "		01
Q404	VV556400	Transistor	"2SC2412K Q,R,S "		01
Q405	VV556400	Transistor	"2SC2412K Q,R,S "		01
* Q501	V7421700	Transistor (chip)	"2SC2SC3324 GR,BL "		01
* Q502	V7421700	Transistor (chip)	"2SC2SC3324 GR,BL "		01
* Q503	V7421800	Transistor	"2SA2SA1312 GR,BL "		01
Q504	VV556400	Transistor	"2SC2412K Q,R,S "		01
* Q601	V7421700	Transistor (chip)	"2SC2SC3324 GR,BL "		01
* Q602	V7421700	Transistor (chip)	"2SC2SC3324 GR,BL "		01
* Q603	V7421800	Transistor	"2SA2SA1312 GR,BL "		01
Q604	VV556400	Transistor	"2SC2412K Q,R,S "		01
* Q701	V7421700	Transistor (chip)	"2SC2SC3324 GR,BL "		01
* Q702	V7421700	Transistor (chip)	"2SC2SC3324 GR,BL "		01
* Q703	V7421800	Transistor	"2SA2SA1312 GR,BL "		01
Q704	VV556400	Transistor	"2SC2412K Q,R,S "		01
* Q801	V7421700	Transistor (chip)	"2SC2SC3324 GR,BL "		01
* Q802	V7421700	Transistor (chip)	"2SC2SC3324 GR,BL "		01
* Q803	V7421800	Transistor	"2SA2SA1312 GR,BL "		01
Q804	VV556400	Transistor	"2SC2412K Q,R,S "		01
Q805	VV556400	Transistor	"2SC2412K Q,R,S "		01
* R101	RG005180	Carbon Resistor (chip)	180 0.1 J		
R102	VV065300	Metal Film Resistor	6.8K 1/4 F		01
R103	VV065300	Metal Film Resistor	6.8K 1/4 F		01
* R104	RF358100	Carbon Resistor (chip)	100.0K : D 1608		01
* R105	RF358100	Carbon Resistor (chip)	100.0K : D 1608		01
R106	RG007100	Carbon Resistor (chip)	10K 0.1 J		
R107	RF357100	Carbon Resistor (chip)	10.0K : D 1608		01
* R108	RF356110	Carbon Resistor (chip)	1.1K : D 1608		
R109	RF357100	Carbon Resistor (chip)	10.0K : D 1608		01
* R110	RF358100	Carbon Resistor (chip)	100.0K : D 1608		01
* R111	RF358100	Carbon Resistor (chip)	100.0K : D 1608		01
R112	RG007220	Carbon Resistor (chip)	22K 0.1 J		
R113	RG006470	Carbon Resistor (chip)	4.7K 0.1 J		
* R114	RF358100	Carbon Resistor (chip)	100.0K : D 1608		01
* R115	RF358100	Carbon Resistor (chip)	100.0K : D 1608		01
R116	RG004100	Carbon Resistor (chip)	10 0.1 J		
* R117	RF356220	Carbon Resistor (chip)	2.2K : D 1608		01
* R118	RF356820	Carbon Resistor (chip)	8.2K : D 1608		
* R119	RF354200	Carbon Resistor (chip)	20.0 : D 1608		01
* R120	RF357240	Carbon Resistor (chip)	24.0K : D 1608		
* R121	RF356220	Carbon Resistor (chip)	2.2K : D 1608		01
* R122	RF356820	Carbon Resistor (chip)	8.2K : D 1608		
* R123	RF357240	Carbon Resistor (chip)	24.0K : D 1608		
R124	RG004100	Carbon Resistor (chip)	10 0.1 J		
* R125	RF356470	Carbon Resistor (chip)	4.7K : D 1608		01
* R126	RF356470	Carbon Resistor (chip)	4.7K : D 1608		01
R127	RG008220	Carbon Resistor (chip)	220K 0.1 J		
* R128	RG007150	Carbon Resistor (chip)	15K 0.1 J		
R129	RG007300	Carbon Resistor (chip)	30K 0.1 J		
R130	RG004100	Carbon Resistor (chip)	10 0.1 J		
R131	RG008220	Carbon Resistor (chip)	220K 0.1 J		
R132	RG008220	Carbon Resistor (chip)	220K 0.1 J		
R133	RG007100	Carbon Resistor (chip)	10K 0.1 J		
R134	RG006470	Carbon Resistor (chip)	4.7K 0.1 J		
R135	RG007330	Carbon Resistor (chip)	33K 0.1 J		
R136	RG007100	Carbon Resistor (chip)	10K 0.1 J		
R137	RG006560	Carbon Resistor (chip)	5.6K 0.1 J		
R138	RG006470	Carbon Resistor (chip)	4.7K 0.1 J		
R139	RG006820	Carbon Resistor (chip)	8.2K 0.1 J		
R140	RG006470	Carbon Resistor (chip)	4.7K 0.1 J		
R141	RG006820	Carbon Resistor (chip)	8.2K 0.1 J		
R142	RG004100	Carbon Resistor (chip)	10 0.1 J		
R143	RG008220	Carbon Resistor (chip)	220K 0.1 J		
R144	RG006560	Carbon Resistor (chip)	5.6K 0.1 J		

*: New Parts

RANK: Japan only

REF NO.	PART NO.	DESCRIPTION	REMARKS	QTY	RANK
-146	RG006560	Carbon Resistor (chip)	5.6K 0.1 J		
R147	RG007560	Carbon Resistor (chip)	56K 0.1 J		
R148	RG007330	Carbon Resistor (chip)	33K 0.1 J		
R149	RG006560	Carbon Resistor (chip)	5.6K 0.1 J		
R150	RG008220	Carbon Resistor (chip)	220K 0.1 J		
R151	RG005220	Carbon Resistor (chip)	220 0.1 J		
R152	RG007120	Carbon Resistor (chip)	12K 0.1 J		
R153	RG006330	Carbon Resistor (chip)	3.3K 0.1 J		
R154	RG007330	Carbon Resistor (chip)	33K 0.1 J		
R155	RG008100	Carbon Resistor (chip)	100K 0.1 J		
R156	RG005220	Carbon Resistor (chip)	220 0.1 J		
* R157	RG206220	Carbon Resistor (chip)	2.2K 1/4 J		
R158	RG007180	Carbon Resistor (chip)	18K 0.1 J		
R159	RG005220	Carbon Resistor (chip)	220 0.1 J		
R160	RG006470	Carbon Resistor (chip)	4.7K 0.1 J		
R161	RG007100	Carbon Resistor (chip)	10K 0.1 J		
R162	RG004100	Carbon Resistor (chip)	10 0.1 J		
R163	RG008220	Carbon Resistor (chip)	220K 0.1 J		
R164	RG007180	Carbon Resistor (chip)	18K 0.1 J		
-169	RG007180	Carbon Resistor (chip)	18K 0.1 J		
* R170	RG007360	Carbon Resistor (chip)	36K 0.1 J		
* R171	RG007360	Carbon Resistor (chip)	36K 0.1 J		
R172	RG008100	Carbon Resistor (chip)	100K 0.1 J		
R173	VV276800	Flame Proof C. Resistor	100 1/4 J		01
* R201	RG005180	Carbon Resistor (chip)	180 0.1 J		
R202	VV065300	Metal Film Resistor	6.8K 1/4 F		01
R203	VV065300	Metal Film Resistor	6.8K 1/4 F		01
* R204	RF358100	Carbon Resistor (chip)	100.0K : D 1608		01
* R205	RF358100	Carbon Resistor (chip)	100.0K : D 1608		01
R206	RG007100	Carbon Resistor (chip)	10K 0.1 J		
R207	RF357100	Carbon Resistor (chip)	10.0K : D 1608		01
* R208	RF356110	Carbon Resistor (chip)	1.1K : D 1608		
R209	RF357100	Carbon Resistor (chip)	10.0K : D 1608		01
* R210	RF358100	Carbon Resistor (chip)	100.0K : D 1608		01
* R211	RF358100	Carbon Resistor (chip)	100.0K : D 1608		01
R212	RG007220	Carbon Resistor (chip)	22K 0.1 J		
R213	RG006470	Carbon Resistor (chip)	4.7K 0.1 J		
* R214	RF358100	Carbon Resistor (chip)	100.0K : D 1608		01
* R215	RF358100	Carbon Resistor (chip)	100.0K : D 1608		01
R216	RG004100	Carbon Resistor (chip)	10 0.1 J		
* R217	RF356220	Carbon Resistor (chip)	2.2K : D 1608		01
* R218	RF356820	Carbon Resistor (chip)	8.2K : D 1608		
* R219	RF354200	Carbon Resistor (chip)	20.0 : D 1608		01
* R220	RF357240	Carbon Resistor (chip)	24.0K : D 1608		
* R221	RF356220	Carbon Resistor (chip)	2.2K : D 1608		01
* R222	RF356820	Carbon Resistor (chip)	8.2K : D 1608		
* R223	RF357240	Carbon Resistor (chip)	24.0K : D 1608		
R224	RG004100	Carbon Resistor (chip)	10 0.1 J		
* R225	RF356470	Carbon Resistor (chip)	4.7K : D 1608		01
* R226	RF356470	Carbon Resistor (chip)	4.7K : D 1608		01
R227	RG008220	Carbon Resistor (chip)	220K 0.1 J		
* R228	RG007150	Carbon Resistor (chip)	15K 0.1 J		
R229	RG007300	Carbon Resistor (chip)	30K 0.1 J		
R230	RG004100	Carbon Resistor (chip)	10 0.1 J		
R231	RG008220	Carbon Resistor (chip)	220K 0.1 J		
R232	RG008220	Carbon Resistor (chip)	220K 0.1 J		
R233	RG007100	Carbon Resistor (chip)	10K 0.1 J		
R234	RG006470	Carbon Resistor (chip)	4.7K 0.1 J		
R235	RG007330	Carbon Resistor (chip)	33K 0.1 J		
R236	RG007100	Carbon Resistor (chip)	10K 0.1 J		
R237	RG006560	Carbon Resistor (chip)	5.6K 0.1 J		
R238	RG006470	Carbon Resistor (chip)	4.7K 0.1 J		
R239	RG006820	Carbon Resistor (chip)	8.2K 0.1 J		
R240	RG006470	Carbon Resistor (chip)	4.7K 0.1 J		
R241	RG006820	Carbon Resistor (chip)	8.2K 0.1 J		
R242	RG004100	Carbon Resistor (chip)	10 0.1 J		
R243	RG008220	Carbon Resistor (chip)	220K 0.1 J		
R244	RG006560	Carbon Resistor (chip)	5.6K 0.1 J		
-246	RG006560	Carbon Resistor (chip)	5.6K 0.1 J		
R247	RG007560	Carbon Resistor (chip)	56K 0.1 J		

*: New Parts

RANK: Japan only

REF NO.	PART NO.	DESCRIPTION	REMARKS	QTY	RANK
R248	RG007330	Carbon Resistor (chip)	33K 0.1 J		
R249	RG006560	Carbon Resistor (chip)	5.6K 0.1 J		
R250	RG008220	Carbon Resistor (chip)	220K 0.1 J		
R251	RG005220	Carbon Resistor (chip)	220 0.1 J		
R252	RG007120	Carbon Resistor (chip)	12K 0.1 J		
R253	RG006330	Carbon Resistor (chip)	3.3K 0.1 J		
R254	RG007330	Carbon Resistor (chip)	33K 0.1 J		
R255	RG008100	Carbon Resistor (chip)	100K 0.1 J		
R256	RG005220	Carbon Resistor (chip)	220 0.1 J		
* R257	RG206220	Carbon Resistor (chip)	2.2K 1/4 J		
R258	RG007180	Carbon Resistor (chip)	18K 0.1 J		
R259	RG005220	Carbon Resistor (chip)	220 0.1 J		
R260	RG006470	Carbon Resistor (chip)	4.7K 0.1 J		
R261	RG007100	Carbon Resistor (chip)	10K 0.1 J		
R262	RG004100	Carbon Resistor (chip)	10 0.1 J		
R263	RG008220	Carbon Resistor (chip)	220K 0.1 J		
R264	RG007180	Carbon Resistor (chip)	18K 0.1 J		
-269	RG007180	Carbon Resistor (chip)	18K 0.1 J		
* R270	RG007360	Carbon Resistor (chip)	36K 0.1 J		
* R271	RG007360	Carbon Resistor (chip)	36K 0.1 J		
* R301	RG005180	Carbon Resistor (chip)	180 0.1 J		
R302	VV065300	Metal Film Resistor	6.8K 1/4 F		01
R303	VV065300	Metal Film Resistor	6.8K 1/4 F		01
* R304	RF358100	Carbon Resistor (chip)	100.0K : D 1608		01
* R305	RF358100	Carbon Resistor (chip)	100.0K : D 1608		01
R306	RG007100	Carbon Resistor (chip)	10K 0.1 J		
R307	RF357100	Carbon Resistor (chip)	10.0K : D 1608		01
* R308	RF356110	Carbon Resistor (chip)	1.1K : D 1608		
R309	RF357100	Carbon Resistor (chip)	10.0K : D 1608		01
* R310	RF358100	Carbon Resistor (chip)	100.0K : D 1608		01
* R311	RF358100	Carbon Resistor (chip)	100.0K : D 1608		01
R312	RG007220	Carbon Resistor (chip)	22K 0.1 J		
R313	RG006470	Carbon Resistor (chip)	4.7K 0.1 J		
* R314	RF358100	Carbon Resistor (chip)	100.0K : D 1608		01
* R315	RF358100	Carbon Resistor (chip)	100.0K : D 1608		01
R316	RG004100	Carbon Resistor (chip)	10 0.1 J		
* R317	RF356220	Carbon Resistor (chip)	2.2K : D 1608		01
* R318	RF356820	Carbon Resistor (chip)	8.2K : D 1608		
* R319	RF354200	Carbon Resistor (chip)	20.0 : D 1608		01
* R320	RF357240	Carbon Resistor (chip)	24.0K : D 1608		
* R321	RF356220	Carbon Resistor (chip)	2.2K : D 1608		01
* R322	RF356820	Carbon Resistor (chip)	8.2K : D 1608		
* R323	RF357240	Carbon Resistor (chip)	24.0K : D 1608		
R324	RG004100	Carbon Resistor (chip)	10 0.1 J		
* R325	RF356470	Carbon Resistor (chip)	4.7K : D 1608		01
* R326	RF356470	Carbon Resistor (chip)	4.7K : D 1608		01
R327	RG008220	Carbon Resistor (chip)	220K 0.1 J		
* R328	RG007150	Carbon Resistor (chip)	15K 0.1 J		
R329	RG007300	Carbon Resistor (chip)	30K 0.1 J		
R330	RG004100	Carbon Resistor (chip)	10 0.1 J		
R331	RG008220	Carbon Resistor (chip)	220K 0.1 J		
R332	RG008220	Carbon Resistor (chip)	220K 0.1 J		
R333	RG007100	Carbon Resistor (chip)	10K 0.1 J		
R334	RG006470	Carbon Resistor (chip)	4.7K 0.1 J		
R335	RG007330	Carbon Resistor (chip)	33K 0.1 J		
R336	RG007100	Carbon Resistor (chip)	10K 0.1 J		
R337	RG006560	Carbon Resistor (chip)	5.6K 0.1 J		
R338	RG006470	Carbon Resistor (chip)	4.7K 0.1 J		
R339	RG006820	Carbon Resistor (chip)	8.2K 0.1 J		
R340	RG006470	Carbon Resistor (chip)	4.7K 0.1 J		
R341	RG006820	Carbon Resistor (chip)	8.2K 0.1 J		
R342	RG004100	Carbon Resistor (chip)	10 0.1 J		
R343	RG008220	Carbon Resistor (chip)	220K 0.1 J		
R344	RG006560	Carbon Resistor (chip)	5.6K 0.1 J		
-346	RG006560	Carbon Resistor (chip)	5.6K 0.1 J		
R347	RG007560	Carbon Resistor (chip)	56K 0.1 J		
R348	RG007330	Carbon Resistor (chip)	33K 0.1 J		
R349	RG006560	Carbon Resistor (chip)	5.6K 0.1 J		
R350	RG008220	Carbon Resistor (chip)	220K 0.1 J		
R351	RG005220	Carbon Resistor (chip)	220 0.1 J		

*: New Parts

RANK: Japan only

REF NO.	PART NO.	DESCRIPTION	REMARKS	QTY	RANK
R352	RG007120	Carbon Resistor (chip)	12K 0.1 J		
R353	RG006330	Carbon Resistor (chip)	3.3K 0.1 J		
R354	RG007330	Carbon Resistor (chip)	33K 0.1 J		
R355	RG008100	Carbon Resistor (chip)	100K 0.1 J		
R356	RG005220	Carbon Resistor (chip)	220 0.1 J		
* R357	RG206220	Carbon Resistor (chip)	2.2K 1/4 J		
R358	RG007180	Carbon Resistor (chip)	18K 0.1 J		
R359	RG005220	Carbon Resistor (chip)	220 0.1 J		
R360	RG006470	Carbon Resistor (chip)	4.7K 0.1 J		
R361	RG007100	Carbon Resistor (chip)	10K 0.1 J		
R362	RG004100	Carbon Resistor (chip)	10 0.1 J		
R363	RG008220	Carbon Resistor (chip)	220K 0.1 J		
R364	RG007180	Carbon Resistor (chip)	18K 0.1 J		
-369	RG007180	Carbon Resistor (chip)	18K 0.1 J		
* R370	RG007360	Carbon Resistor (chip)	36K 0.1 J		
* R371	RG007360	Carbon Resistor (chip)	36K 0.1 J		
* R401	RG005180	Carbon Resistor (chip)	180 0.1 J		
R402	VV065300	Metal Film Resistor	6.8K 1/4 F		01
R403	VV065300	Metal Film Resistor	6.8K 1/4 F		01
* R404	RF358100	Carbon Resistor (chip)	100.0K : D 1608		01
* R405	RF358100	Carbon Resistor (chip)	100.0K : D 1608		01
R406	RG007100	Carbon Resistor (chip)	10K 0.1 J		
R407	RF357100	Carbon Resistor (chip)	10.0K : D 1608		01
* R408	RF356110	Carbon Resistor (chip)	1.1K : D 1608		
R409	RF357100	Carbon Resistor (chip)	10.0K : D 1608		01
* R410	RF358100	Carbon Resistor (chip)	100.0K : D 1608		01
* R411	RF358100	Carbon Resistor (chip)	100.0K : D 1608		01
R412	RG007220	Carbon Resistor (chip)	22K 0.1 J		
R413	RG006470	Carbon Resistor (chip)	4.7K 0.1 J		
* R414	RF358100	Carbon Resistor (chip)	100.0K : D 1608		01
* R415	RF358100	Carbon Resistor (chip)	100.0K : D 1608		01
R416	RG004100	Carbon Resistor (chip)	10 0.1 J		
* R417	RF356220	Carbon Resistor (chip)	2.2K : D 1608		01
* R418	RF356820	Carbon Resistor (chip)	8.2K : D 1608		
* R419	RF354200	Carbon Resistor (chip)	20.0 : D 1608		01
* R420	RF357240	Carbon Resistor (chip)	24.0K : D 1608		
* R421	RF356220	Carbon Resistor (chip)	2.2K : D 1608		01
* R422	RF356820	Carbon Resistor (chip)	8.2K : D 1608		
* R423	RF357240	Carbon Resistor (chip)	24.0K : D 1608		
R424	RG004100	Carbon Resistor (chip)	10 0.1 J		
* R425	RF356470	Carbon Resistor (chip)	4.7K : D 1608		01
* R426	RF356470	Carbon Resistor (chip)	4.7K : D 1608		01
R427	RG008220	Carbon Resistor (chip)	220K 0.1 J		
* R428	RG007150	Carbon Resistor (chip)	15K 0.1 J		
R429	RG007300	Carbon Resistor (chip)	30K 0.1 J		
R430	RG004100	Carbon Resistor (chip)	10 0.1 J		
R431	RG008220	Carbon Resistor (chip)	220K 0.1 J		
R432	RG008220	Carbon Resistor (chip)	220K 0.1 J		
R433	RG007100	Carbon Resistor (chip)	10K 0.1 J		
R434	RG006470	Carbon Resistor (chip)	4.7K 0.1 J		
R435	RG007330	Carbon Resistor (chip)	33K 0.1 J		
R436	RG007100	Carbon Resistor (chip)	10K 0.1 J		
R437	RG006560	Carbon Resistor (chip)	5.6K 0.1 J		
R438	RG006470	Carbon Resistor (chip)	4.7K 0.1 J		
R439	RG006820	Carbon Resistor (chip)	8.2K 0.1 J		
R440	RG006470	Carbon Resistor (chip)	4.7K 0.1 J		
R441	RG006820	Carbon Resistor (chip)	8.2K 0.1 J		
R442	RG004100	Carbon Resistor (chip)	10 0.1 J		
R443	RG008220	Carbon Resistor (chip)	220K 0.1 J		
R444	RG006560	Carbon Resistor (chip)	5.6K 0.1 J		
-446	RG006560	Carbon Resistor (chip)	5.6K 0.1 J		
R447	RG007560	Carbon Resistor (chip)	56K 0.1 J		
R448	RG007330	Carbon Resistor (chip)	33K 0.1 J		
R449	RG006560	Carbon Resistor (chip)	5.6K 0.1 J		
R450	RG008220	Carbon Resistor (chip)	220K 0.1 J		
R451	RG005220	Carbon Resistor (chip)	220 0.1 J		
R452	RG007120	Carbon Resistor (chip)	12K 0.1 J		
R453	RG006330	Carbon Resistor (chip)	3.3K 0.1 J		
R454	RG007330	Carbon Resistor (chip)	33K 0.1 J		
R455	RG008100	Carbon Resistor (chip)	100K 0.1 J		

*: New Parts

RANK: Japan only

REF NO.	PART NO.	DESCRIPTION	REMARKS	QTY	RANK
* R456	RG005220	Carbon Resistor (chip)	220 0.1 J		
R457	RG206220	Carbon Resistor (chip)	2.2K 1/4 J		
R458	RG007180	Carbon Resistor (chip)	18K 0.1 J		
R459	RG005220	Carbon Resistor (chip)	220 0.1 J		
R460	RG006470	Carbon Resistor (chip)	4.7K 0.1 J		
R461	RG007100	Carbon Resistor (chip)	10K 0.1 J		
R462	RG004100	Carbon Resistor (chip)	10 0.1 J		
R463	RG008220	Carbon Resistor (chip)	220K 0.1 J		
R464	RG007180	Carbon Resistor (chip)	18K 0.1 J		
-469	RG007180	Carbon Resistor (chip)	18K 0.1 J		
* R470	RG007360	Carbon Resistor (chip)	36K 0.1 J		
* R471	RG007360	Carbon Resistor (chip)	36K 0.1 J		
R472	RG007120	Carbon Resistor (chip)	12K 0.1 J		
R473	RG006150	Carbon Resistor (chip)	1.5K 0.1 J		
R474	RG205100	Carbon Resistor (chip)	100 1/4 J		
* R501	RG005180	Carbon Resistor (chip)	180 0.1 J		
R502	VV065300	Metal Film Resistor	6.8K 1/4 F		01
R503	VV065300	Metal Film Resistor	6.8K 1/4 F		01
* R504	RF358100	Carbon Resistor (chip)	100.0K : D 1608		01
* R505	RF358100	Carbon Resistor (chip)	100.0K : D 1608		01
R506	RG007100	Carbon Resistor (chip)	10K 0.1 J		
R507	RF357100	Carbon Resistor (chip)	10.0K : D 1608		01
* R508	RF356110	Carbon Resistor (chip)	1.1K : D 1608		
R509	RF357100	Carbon Resistor (chip)	10.0K : D 1608		01
* R510	RF358100	Carbon Resistor (chip)	100.0K : D 1608		01
* R511	RF358100	Carbon Resistor (chip)	100.0K : D 1608		01
R512	RG007220	Carbon Resistor (chip)	22K 0.1 J		
R513	RG006470	Carbon Resistor (chip)	4.7K 0.1 J		
* R514	RF358100	Carbon Resistor (chip)	100.0K : D 1608		01
* R515	RF358100	Carbon Resistor (chip)	100.0K : D 1608		01
R516	RG004100	Carbon Resistor (chip)	10 0.1 J		
* R517	RF356220	Carbon Resistor (chip)	2.2K : D 1608		01
* R518	RF356820	Carbon Resistor (chip)	8.2K : D 1608		
* R519	RF354200	Carbon Resistor (chip)	20.0 : D 1608		01
* R520	RF357240	Carbon Resistor (chip)	24.0K : D 1608		
* R521	RF356220	Carbon Resistor (chip)	2.2K : D 1608		01
* R522	RF356820	Carbon Resistor (chip)	8.2K : D 1608		
* R523	RF357240	Carbon Resistor (chip)	24.0K : D 1608		
R524	RG004100	Carbon Resistor (chip)	10 0.1 J		
* R525	RF356470	Carbon Resistor (chip)	4.7K : D 1608		01
* R526	RF356470	Carbon Resistor (chip)	4.7K : D 1608		01
R527	RG008220	Carbon Resistor (chip)	220K 0.1 J		
* R528	RG007150	Carbon Resistor (chip)	15K 0.1 J		
R529	RG007300	Carbon Resistor (chip)	30K 0.1 J		
R530	RG004100	Carbon Resistor (chip)	10 0.1 J		
R531	RG008220	Carbon Resistor (chip)	220K 0.1 J		
R532	RG008220	Carbon Resistor (chip)	220K 0.1 J		
R533	RG007100	Carbon Resistor (chip)	10K 0.1 J		
R534	RG006470	Carbon Resistor (chip)	4.7K 0.1 J		
R535	RG007330	Carbon Resistor (chip)	33K 0.1 J		
R536	RG007100	Carbon Resistor (chip)	10K 0.1 J		
R537	RG006560	Carbon Resistor (chip)	5.6K 0.1 J		
R538	RG006470	Carbon Resistor (chip)	4.7K 0.1 J		
R539	RG006820	Carbon Resistor (chip)	8.2K 0.1 J		
R540	RG006470	Carbon Resistor (chip)	4.7K 0.1 J		
R541	RG006820	Carbon Resistor (chip)	8.2K 0.1 J		
R542	RG004100	Carbon Resistor (chip)	10 0.1 J		
R543	RG008220	Carbon Resistor (chip)	220K 0.1 J		
R544	RG006560	Carbon Resistor (chip)	5.6K 0.1 J		
-546	RG006560	Carbon Resistor (chip)	5.6K 0.1 J		
R547	RG007560	Carbon Resistor (chip)	56K 0.1 J		
R548	RG007330	Carbon Resistor (chip)	33K 0.1 J		
R549	RG006560	Carbon Resistor (chip)	5.6K 0.1 J		
R550	RG008220	Carbon Resistor (chip)	220K 0.1 J		
R551	RG005220	Carbon Resistor (chip)	220 0.1 J		
R552	RG007120	Carbon Resistor (chip)	12K 0.1 J		
R553	RG006330	Carbon Resistor (chip)	3.3K 0.1 J		
R554	RG007330	Carbon Resistor (chip)	33K 0.1 J		
R555	RG008100	Carbon Resistor (chip)	100K 0.1 J		
R556	RG005220	Carbon Resistor (chip)	220 0.1 J		

*: New Parts

RANK: Japan only

REF NO.	PART NO.	DESCRIPTION	REMARKS	QTY	RANK
* R557	RG206220	Carbon Resistor (chip)	2.2K 1/4 J		
R558	RG007180	Carbon Resistor (chip)	18K 0.1 J		
R559	RG005220	Carbon Resistor (chip)	220 0.1 J		
R560	RG006470	Carbon Resistor (chip)	4.7K 0.1 J		
R561	RG007100	Carbon Resistor (chip)	10K 0.1 J		
R562	RG004100	Carbon Resistor (chip)	10 0.1 J		
R563	RG008220	Carbon Resistor (chip)	220K 0.1 J		
R564	RG007180	Carbon Resistor (chip)	18K 0.1 J		
-569	RG007180	Carbon Resistor (chip)	18K 0.1 J		
* R570	RG007360	Carbon Resistor (chip)	36K 0.1 J		
* R571	RG007360	Carbon Resistor (chip)	36K 0.1 J		
R572	RG008100	Carbon Resistor (chip)	100K 0.1 J		
R573	VV276800	Flame Proof C. Resistor	100 1/4 J		01
* R601	RG005180	Carbon Resistor (chip)	180 0.1 J		
R602	VV065300	Metal Film Resistor	6.8K 1/4 F		01
R603	VV065300	Metal Film Resistor	6.8K 1/4 F		01
* R604	RF358100	Carbon Resistor (chip)	100.0K : D 1608		01
* R605	RF358100	Carbon Resistor (chip)	100.0K : D 1608		01
R606	RG007100	Carbon Resistor (chip)	10K 0.1 J		
R607	RF357100	Carbon Resistor (chip)	10.0K : D 1608		01
* R608	RF356110	Carbon Resistor (chip)	1.1K : D 1608		
R609	RF357100	Carbon Resistor (chip)	10.0K : D 1608		01
* R610	RF358100	Carbon Resistor (chip)	100.0K : D 1608		01
* R611	RF358100	Carbon Resistor (chip)	100.0K : D 1608		01
R612	RG007220	Carbon Resistor (chip)	22K 0.1 J		
R613	RG006470	Carbon Resistor (chip)	4.7K 0.1 J		
* R614	RF358100	Carbon Resistor (chip)	100.0K : D 1608		01
* R615	RF358100	Carbon Resistor (chip)	100.0K : D 1608		01
* R616	RG004100	Carbon Resistor (chip)	10 0.1 J		
* R617	RF356220	Carbon Resistor (chip)	2.2K : D 1608		01
* R618	RF356820	Carbon Resistor (chip)	8.2K : D 1608		
* R619	RF354200	Carbon Resistor (chip)	20.0 : D 1608		01
* R620	RF357240	Carbon Resistor (chip)	24.0K : D 1608		
* R621	RF356220	Carbon Resistor (chip)	2.2K : D 1608		01
* R622	RF356820	Carbon Resistor (chip)	8.2K : D 1608		
* R623	RF357240	Carbon Resistor (chip)	24.0K : D 1608		
R624	RG004100	Carbon Resistor (chip)	10 0.1 J		
* R625	RF356470	Carbon Resistor (chip)	4.7K : D 1608		01
* R626	RF356470	Carbon Resistor (chip)	4.7K : D 1608		01
R627	RG008220	Carbon Resistor (chip)	220K 0.1 J		
* R628	RG007150	Carbon Resistor (chip)	15K 0.1 J		
R629	RG007300	Carbon Resistor (chip)	30K 0.1 J		
R630	RG004100	Carbon Resistor (chip)	10 0.1 J		
R631	RG008220	Carbon Resistor (chip)	220K 0.1 J		
R632	RG008220	Carbon Resistor (chip)	220K 0.1 J		
R633	RG007100	Carbon Resistor (chip)	10K 0.1 J		
R634	RG006470	Carbon Resistor (chip)	4.7K 0.1 J		
R635	RG007330	Carbon Resistor (chip)	33K 0.1 J		
R636	RG007100	Carbon Resistor (chip)	10K 0.1 J		
R637	RG006560	Carbon Resistor (chip)	5.6K 0.1 J		
R638	RG006470	Carbon Resistor (chip)	4.7K 0.1 J		
R639	RG006820	Carbon Resistor (chip)	8.2K 0.1 J		
R640	RG006470	Carbon Resistor (chip)	4.7K 0.1 J		
R641	RG006820	Carbon Resistor (chip)	8.2K 0.1 J		
R642	RG004100	Carbon Resistor (chip)	10 0.1 J		
R643	RG008220	Carbon Resistor (chip)	220K 0.1 J		
R644	RG006560	Carbon Resistor (chip)	5.6K 0.1 J		
-646	RG006560	Carbon Resistor (chip)	5.6K 0.1 J		
R647	RG007560	Carbon Resistor (chip)	56K 0.1 J		
R648	RG007330	Carbon Resistor (chip)	33K 0.1 J		
R649	RG006560	Carbon Resistor (chip)	5.6K 0.1 J		
R650	RG008220	Carbon Resistor (chip)	220K 0.1 J		
R651	RG005220	Carbon Resistor (chip)	220 0.1 J		
R652	RG007120	Carbon Resistor (chip)	12K 0.1 J		
R653	RG006330	Carbon Resistor (chip)	3.3K 0.1 J		
R654	RG007330	Carbon Resistor (chip)	33K 0.1 J		
R655	RG008100	Carbon Resistor (chip)	100K 0.1 J		
R656	RG005220	Carbon Resistor (chip)	220 0.1 J		
* R657	RG206220	Carbon Resistor (chip)	2.2K 1/4 J		
R658	RG007180	Carbon Resistor (chip)	18K 0.1 J		

*: New Parts

RANK: Japan only

REF NO.	PART NO.	DESCRIPTION	REMARKS	QTY	RANK
R659	RG005220	Carbon Resistor (chip)	220 0.1 J		
R660	RG006470	Carbon Resistor (chip)	4.7K 0.1 J		
R661	RG007100	Carbon Resistor (chip)	10K 0.1 J		
R662	RG004100	Carbon Resistor (chip)	10 0.1 J		
R663	RG008220	Carbon Resistor (chip)	220K 0.1 J		
R664	RG007180	Carbon Resistor (chip)	18K 0.1 J		
-669	RG007180	Carbon Resistor (chip)	18K 0.1 J		
* R670	RG007360	Carbon Resistor (chip)	36K 0.1 J		
* R671	RG007360	Carbon Resistor (chip)	36K 0.1 J		
* R701	RG005180	Carbon Resistor (chip)	180 0.1 J		
R702	VV065300	Metal Film Resistor	6.8K 1/4 F		01
R703	VV065300	Metal Film Resistor	6.8K 1/4 F		01
* R704	RF358100	Carbon Resistor (chip)	100.0K : D 1608		01
* R705	RF358100	Carbon Resistor (chip)	100.0K : D 1608		01
R706	RG007100	Carbon Resistor (chip)	10K 0.1 J		
R707	RF357100	Carbon Resistor (chip)	10.0K : D 1608		01
* R708	RF356110	Carbon Resistor (chip)	1.1K : D 1608		
R709	RF357100	Carbon Resistor (chip)	10.0K : D 1608		01
* R710	RF358100	Carbon Resistor (chip)	100.0K : D 1608		01
* R711	RF358100	Carbon Resistor (chip)	100.0K : D 1608		01
R712	RG007220	Carbon Resistor (chip)	22K 0.1 J		
R713	RG006470	Carbon Resistor (chip)	4.7K 0.1 J		
* R714	RF358100	Carbon Resistor (chip)	100.0K : D 1608		01
* R715	RF358100	Carbon Resistor (chip)	100.0K : D 1608		01
R716	RG004100	Carbon Resistor (chip)	10 0.1 J		
* R717	RF356220	Carbon Resistor (chip)	2.2K : D 1608		01
* R718	RF356820	Carbon Resistor (chip)	8.2K : D 1608		
* R719	RF354200	Carbon Resistor (chip)	20.0 : D 1608		01
* R720	RF357240	Carbon Resistor (chip)	24.0K : D 1608		
* R721	RF356220	Carbon Resistor (chip)	2.2K : D 1608		01
* R722	RF356820	Carbon Resistor (chip)	8.2K : D 1608		
* R723	RF357240	Carbon Resistor (chip)	24.0K : D 1608		
R724	RG004100	Carbon Resistor (chip)	10 0.1 J		
* R725	RF356470	Carbon Resistor (chip)	4.7K : D 1608		01
* R726	RF356470	Carbon Resistor (chip)	4.7K : D 1608		01
R727	RG008220	Carbon Resistor (chip)	220K 0.1 J		
* R728	RG007150	Carbon Resistor (chip)	15K 0.1 J		
R729	RG007300	Carbon Resistor (chip)	30K 0.1 J		
R730	RG004100	Carbon Resistor (chip)	10 0.1 J		
R731	RG008220	Carbon Resistor (chip)	220K 0.1 J		
R732	RG008220	Carbon Resistor (chip)	220K 0.1 J		
R733	RG007100	Carbon Resistor (chip)	10K 0.1 J		
R734	RG006470	Carbon Resistor (chip)	4.7K 0.1 J		
R735	RG007330	Carbon Resistor (chip)	33K 0.1 J		
R736	RG007100	Carbon Resistor (chip)	10K 0.1 J		
R737	RG006560	Carbon Resistor (chip)	5.6K 0.1 J		
R738	RG006470	Carbon Resistor (chip)	4.7K 0.1 J		
R739	RG006820	Carbon Resistor (chip)	8.2K 0.1 J		
R740	RG006470	Carbon Resistor (chip)	4.7K 0.1 J		
R741	RG006820	Carbon Resistor (chip)	8.2K 0.1 J		
R742	RG004100	Carbon Resistor (chip)	10 0.1 J		
R743	RG008220	Carbon Resistor (chip)	220K 0.1 J		
R744	RG006560	Carbon Resistor (chip)	5.6K 0.1 J		
-746	RG006560	Carbon Resistor (chip)	5.6K 0.1 J		
R747	RG007560	Carbon Resistor (chip)	56K 0.1 J		
R748	RG007330	Carbon Resistor (chip)	33K 0.1 J		
R749	RG006560	Carbon Resistor (chip)	5.6K 0.1 J		
R750	RG008220	Carbon Resistor (chip)	220K 0.1 J		
R751	RG005220	Carbon Resistor (chip)	220 0.1 J		
R752	RG007120	Carbon Resistor (chip)	12K 0.1 J		
R753	RG006330	Carbon Resistor (chip)	3.3K 0.1 J		
R754	RG007330	Carbon Resistor (chip)	33K 0.1 J		
R755	RG008100	Carbon Resistor (chip)	100K 0.1 J		
R756	RG005220	Carbon Resistor (chip)	220 0.1 J		
* R757	RG206220	Carbon Resistor (chip)	2.2K 1/4 J		
R758	RG007180	Carbon Resistor (chip)	18K 0.1 J		
R759	RG005220	Carbon Resistor (chip)	220 0.1 J		
R760	RG006470	Carbon Resistor (chip)	4.7K 0.1 J		
R761	RG007100	Carbon Resistor (chip)	10K 0.1 J		
R762	RG004100	Carbon Resistor (chip)	10 0.1 J		

*: New Parts

RANK: Japan only

REF NO.	PART NO.	DESCRIPTION	REMARKS	QTY	RANK
R763	RG008220	Carbon Resistor (chip)	220K 0.1 J		
R764	RG007180	Carbon Resistor (chip)	18K 0.1 J		
-769	RG007180	Carbon Resistor (chip)	18K 0.1 J		
* R770	RG007360	Carbon Resistor (chip)	36K 0.1 J		
* R771	RG007360	Carbon Resistor (chip)	36K 0.1 J		
* R801	RG005180	Carbon Resistor (chip)	180 0.1 J		
R802	VV065300	Metal Film Resistor	6.8K 1/4 F		01
R803	VV065300	Metal Film Resistor	6.8K 1/4 F		01
* R804	RF358100	Carbon Resistor (chip)	100.0K : D 1608		01
* R805	RF358100	Carbon Resistor (chip)	100.0K : D 1608		01
R806	RG007100	Carbon Resistor (chip)	10K 0.1 J		
R807	RF357100	Carbon Resistor (chip)	10.0K : D 1608		01
* R808	RF356110	Carbon Resistor (chip)	1.1K : D 1608		
R809	RF357100	Carbon Resistor (chip)	10.0K : D 1608		01
* R810	RF358100	Carbon Resistor (chip)	100.0K : D 1608		01
* R811	RF358100	Carbon Resistor (chip)	100.0K : D 1608		01
R812	RG007220	Carbon Resistor (chip)	22K 0.1 J		
R813	RG006470	Carbon Resistor (chip)	4.7K 0.1 J		
* R814	RF358100	Carbon Resistor (chip)	100.0K : D 1608		01
* R815	RF358100	Carbon Resistor (chip)	100.0K : D 1608		01
R816	RG004100	Carbon Resistor (chip)	10 0.1 J		
* R817	RF356220	Carbon Resistor (chip)	2.2K : D 1608		01
* R818	RF356820	Carbon Resistor (chip)	8.2K : D 1608		
* R819	RF354200	Carbon Resistor (chip)	20.0 : D 1608		01
* R820	RF357240	Carbon Resistor (chip)	24.0K : D 1608		
* R821	RF356220	Carbon Resistor (chip)	2.2K : D 1608		01
* R822	RF356820	Carbon Resistor (chip)	8.2K : D 1608		
* R823	RF357240	Carbon Resistor (chip)	24.0K : D 1608		
R824	RG004100	Carbon Resistor (chip)	10 0.1 J		
* R825	RF356470	Carbon Resistor (chip)	4.7K : D 1608		01
* R826	RF356470	Carbon Resistor (chip)	4.7K : D 1608		01
R827	RG008220	Carbon Resistor (chip)	220K 0.1 J		
* R828	RG007150	Carbon Resistor (chip)	15K 0.1 J		
R829	RG007300	Carbon Resistor (chip)	30K 0.1 J		
R830	RG004100	Carbon Resistor (chip)	10 0.1 J		
R831	RG008220	Carbon Resistor (chip)	220K 0.1 J		
R832	RG008220	Carbon Resistor (chip)	220K 0.1 J		
R833	RG007100	Carbon Resistor (chip)	10K 0.1 J		
R834	RG006470	Carbon Resistor (chip)	4.7K 0.1 J		
R835	RG007330	Carbon Resistor (chip)	33K 0.1 J		
R836	RG007100	Carbon Resistor (chip)	10K 0.1 J		
R837	RG006560	Carbon Resistor (chip)	5.6K 0.1 J		
R838	RG006470	Carbon Resistor (chip)	4.7K 0.1 J		
R839	RG006820	Carbon Resistor (chip)	8.2K 0.1 J		
R840	RG006470	Carbon Resistor (chip)	4.7K 0.1 J		
R841	RG006820	Carbon Resistor (chip)	8.2K 0.1 J		
R842	RG004100	Carbon Resistor (chip)	10 0.1 J		
R843	RG008220	Carbon Resistor (chip)	220K 0.1 J		
R844	RG006560	Carbon Resistor (chip)	5.6K 0.1 J		
-846	RG006560	Carbon Resistor (chip)	5.6K 0.1 J		
R847	RG007560	Carbon Resistor (chip)	56K 0.1 J		
R848	RG007330	Carbon Resistor (chip)	33K 0.1 J		
R849	RG006560	Carbon Resistor (chip)	5.6K 0.1 J		
R850	RG008220	Carbon Resistor (chip)	220K 0.1 J		
R851	RG005220	Carbon Resistor (chip)	220 0.1 J		
R852	RG007120	Carbon Resistor (chip)	12K 0.1 J		
R853	RG006330	Carbon Resistor (chip)	3.3K 0.1 J		
R854	RG007330	Carbon Resistor (chip)	33K 0.1 J		
R855	RG008100	Carbon Resistor (chip)	100K 0.1 J		
R856	RG005220	Carbon Resistor (chip)	220 0.1 J		
* R857	RG206220	Carbon Resistor (chip)	2.2K 1/4 J		
R858	RG007180	Carbon Resistor (chip)	18K 0.1 J		
R859	RG005220	Carbon Resistor (chip)	220 0.1 J		
R860	RG006470	Carbon Resistor (chip)	4.7K 0.1 J		
R861	RG007100	Carbon Resistor (chip)	10K 0.1 J		
R862	RG004100	Carbon Resistor (chip)	10 0.1 J		
R863	RG008220	Carbon Resistor (chip)	220K 0.1 J		
R864	RG007180	Carbon Resistor (chip)	18K 0.1 J		
-869	RG007180	Carbon Resistor (chip)	18K 0.1 J		
* R870	RG007360	Carbon Resistor (chip)	36K 0.1 J		

*: New Parts

RANK: Japan only

REF NO.	PART NO.	DESCRIPTION		REMARKS	QTY	RANK
* R871	RG007360	Carbon Resistor (chip)	36K 0.1 J			
R872	RG007120	Carbon Resistor (chip)	12K 0.1 J			
R873	RG006150	Carbon Resistor (chip)	1.5K 0.1 J			
R874	RG205100	Carbon Resistor (chip)	100 1/4 J			
* R901	RG206270	Carbon Resistor (chip)	2.7K 1/4 J			
RJ01	RG000000	Carbon Resistor (chip)	0 0.1 J			
-15	RG000000	Carbon Resistor (chip)	0 0.1 J			
SW101	V6962600	Push Switch		26dB(CH9)		02
SW102	V6962600	Push Switch		/80 (CH9)		02
SW103	V6962600	Push Switch		CH ON(CH9)		02
SW104	V6962600	Push Switch		AUX1 POST(CH9)		02
SW105	V6962600	Push Switch		AUX2 POST(CH9)		02
SW106	V6962600	Push Switch		PFL(CH9)		02
SW201	V6962600	Push Switch		26dB(CH10)		02
SW202	V6962600	Push Switch		/80 (CH10)		02
SW203	V6962600	Push Switch		CH ON(CH10)		02
SW204	V6962600	Push Switch		AUX1 POST(CH10)		02
SW205	V6962600	Push Switch		AUX2 POST(CH10)		02
SW206	V6962600	Push Switch		PFL(CH10)		02
SW301	V6962600	Push Switch		26dB(CH11)		02
SW302	V6962600	Push Switch		/80 (CH11)		02
SW303	V6962600	Push Switch		CH ON(CH11)		02
SW304	V6962600	Push Switch		AUX1 POST(CH11)		02
SW305	V6962600	Push Switch		AUX2 POST(CH11)		02
SW306	V6962600	Push Switch		PFL(CH11)		02
SW401	V6962600	Push Switch		26dB(CH12)		02
SW402	V6962600	Push Switch		/80 (CH12)		02
SW403	V6962600	Push Switch		CH ON(CH12)		02
SW404	V6962600	Push Switch		AUX1 POST(CH12)		02
SW405	V6962600	Push Switch		AUX2 POST(CH12)		02
SW406	V6962600	Push Switch		PFL(CH13)		02
SW501	V6962600	Push Switch		26dB(CH13)		02
SW502	V6962600	Push Switch		/80 (CH13)		02
SW503	V6962600	Push Switch		CH ON(CH13)		02
SW504	V6962600	Push Switch		AUX1 POST(CH13)		02
SW505	V6962600	Push Switch		AUX2 POST(CH13)		02
SW506	V6962600	Push Switch		PFL(CH5,14)		02
SW601	V6962600	Push Switch		26dB(CH14)		02
SW602	V6962600	Push Switch		/80 (CH14)		02
SW603	V6962600	Push Switch		CH ON(CH14)		02
SW604	V6962600	Push Switch		AUX1 POST(CH14)		02
SW605	V6962600	Push Switch		AUX2 POST(CH14)		02
SW606	V6962600	Push Switch		PFL(CH614)		02
SW701	V6962600	Push Switch		26dB(CH15)		02
SW702	V6962600	Push Switch		/80 (CH15)		02
SW703	V6962600	Push Switch		CH ON(CH15)		02
SW704	V6962600	Push Switch		AUX1 POST(CH15)		02
SW705	V6962600	Push Switch		AUX2 POST(CH15)		02
SW706	V6962600	Push Switch		PFL(CH15)		02
SW801	V6962600	Push Switch		26dB(CH16)		02
SW802	V6962600	Push Switch		/80 (CH16)		02
SW803	V6962600	Push Switch		CH ON(CH16)		02
SW804	V6962600	Push Switch		AUX1 POST(CH16)		02
SW805	V6962600	Push Switch		AUX2 POST(CH16)		02
SW806	V6962600	Push Switch		PFL(CH16)		02
SW901	V2802400	Slide Switch	SS001-P022BQB-PA14	PHANTOM ON/OFF		03
* VR101	V8393200	Rotary Variable Resistor	RD 5.0K XV09213P	GAIN(CH9)		
* VR102	V8264700	Rotary Variable Resistor	B 50.0K XV09213P	LOW(CH9)		01
* VR103	V8264700	Rotary Variable Resistor	B 50.0K XV09213P	HIGH(CH9)		01
VR104	VZ611200	Rotary Variable Resistor	C 100K RK12L123	MID-f(CH9)		05
* VR105	V8393300	Rotary Variable Resistor	W 20.0K XV09213P	MID(CH9)		
VR106	VU804100	Slide Variable Resistor	RS6011YG6036-10KA	FADER(CH9)		04
VR107	VZ610800	Rotary Variable Resistor	AC 20K RK12L123	PAN(CH9)		03
* VR108	V8264600	Rotary Variable Resistor	A 20.0K XV09213P	AUX1(CH9)		01
* VR109	V8264600	Rotary Variable Resistor	A 20.0K XV09213P	AUX2(CH9)		01
* VR110	V8264600	Rotary Variable Resistor	A 20.0K XV09213P	EFFECT1(CH9)		01
* VR111	V8264600	Rotary Variable Resistor	A 20.0K XV09213P	EFFECT2(CH9)		01
* VR201	V8393200	Rotary Variable Resistor	RD 5.0K XV09213P	GAIN(CH10)		
* VR202	V8264700	Rotary Variable Resistor	B 50.0K XV09213P	LOW(CH10)		01
* VR203	V8264700	Rotary Variable Resistor	B 50.0K XV09213P	HIGH(CH10)		01

*: New Parts

RANK: Japan only

REF NO.	PART NO.	DESCRIPTION	REMARKS	QTY	RANK
VR204	VZ611200	Rotary Variable Resistor	C 100K RK12L123		05
* VR205	V8393300	Rotary Variable Resistor	W 20.0K XV09213P	MID-f(CH10)	
VR206	VU804100	Slide Variable Resistor	RS6011YG6036-10KA	MID(CH10)	04
VR207	VZ610800	Rotary Variable Resistor	AC 20K RK12L123	FADER(CH10)	03
* VR208	V8264600	Rotary Variable Resistor	A 20.0K XV09213P	PAN(CH10)	01
VR209	V8264600	Rotary Variable Resistor	A 20.0K XV09213P	AUX1(CH10)	01
* VR210	V8264600	Rotary Variable Resistor	A 20.0K XV09213P	AUX2(CH10)	01
* VR211	V8264600	Rotary Variable Resistor	A 20.0K XV09213P	EFFECT1(CH10)	01
* VR301	V8393200	Rotary Variable Resistor	RD 5.0K XV09213P	EFFECT2(CH10)	01
* VR302	V8264700	Rotary Variable Resistor	B 50.0K XV09213P	GAIN(CH11)	01
* VR303	V8264700	Rotary Variable Resistor	B 50.0K XV09213P	LOW(CH11)	01
VR304	VZ611200	Rotary Variable Resistor	C 100K RK12L123	HIGH(CH11)	05
* VR305	V8393300	Rotary Variable Resistor	W 20.0K XV09213P	MID-f(CH11)	04
VR306	VU804100	Slide Variable Resistor	RS6011YG6036-10KA	FADER(CH11)	03
VR307	VZ610800	Rotary Variable Resistor	AC 20K RK12L123	PAN(CH11)	01
* VR308	V8264600	Rotary Variable Resistor	A 20.0K XV09213P	AUX1(CH11)	01
* VR309	V8264600	Rotary Variable Resistor	A 20.0K XV09213P	AUX2(CH11)	01
* VR310	V8264600	Rotary Variable Resistor	A 20.0K XV09213P	EFFECT1(CH11)	01
* VR311	V8264600	Rotary Variable Resistor	A 20.0K XV09213P	EFFECT2(CH11)	01
* VR401	V8393200	Rotary Variable Resistor	RD 5.0K XV09213P	GAIN(CH12)	01
* VR402	V8264700	Rotary Variable Resistor	B 50.0K XV09213P	LOW(CH12)	01
* VR403	V8264700	Rotary Variable Resistor	B 50.0K XV09213P	HIGH(CH12)	01
VR404	VZ611200	Rotary Variable Resistor	C 100K RK12L123	MID-f(CH12)	05
* VR405	V8393300	Rotary Variable Resistor	W 20.0K XV09213P	MID(CH12)	04
VR406	VU804100	Slide Variable Resistor	RS6011YG6036-10KA	FADER(CH12)	03
VR407	VZ610800	Rotary Variable Resistor	AC 20K RK12L123	PAN(CH12)	01
* VR408	V8264600	Rotary Variable Resistor	A 20.0K XV09213P	AUX1(CH12)	01
* VR409	V8264600	Rotary Variable Resistor	A 20.0K XV09213P	AUX2(CH12)	01
* VR410	V8264600	Rotary Variable Resistor	A 20.0K XV09213P	EFFECT1(CH12)	01
* VR411	V8264600	Rotary Variable Resistor	A 20.0K XV09213P	EFFECT2(CH12)	01
* VR501	V8393200	Rotary Variable Resistor	RD 5.0K XV09213P	GAIN(CH13)	01
* VR502	V8264700	Rotary Variable Resistor	B 50.0K XV09213P	LOW(CH13)	01
* VR503	V8264700	Rotary Variable Resistor	B 50.0K XV09213P	HIGH(CH13)	01
VR504	VZ611200	Rotary Variable Resistor	C 100K RK12L123	MID-f(CH13)	05
* VR505	V8393300	Rotary Variable Resistor	W 20.0K XV09213P	MID(CH13)	04
VR506	VU804100	Slide Variable Resistor	RS6011YG6036-10KA	FADER(CH13)	03
VR507	VZ610800	Rotary Variable Resistor	AC 20K RK12L123	PAN(CH13)	01
* VR508	V8264600	Rotary Variable Resistor	A 20.0K XV09213P	AUX1(CH13)	01
* VR509	V8264600	Rotary Variable Resistor	A 20.0K XV09213P	AUX2(CH13)	01
* VR510	V8264600	Rotary Variable Resistor	A 20.0K XV09213P	EFFECT1(CH13)	01
* VR511	V8264600	Rotary Variable Resistor	A 20.0K XV09213P	EFFECT2(CH13)	01
* VR601	V8393200	Rotary Variable Resistor	RD 5.0K XV09213P	GAIN(CH14)	01
* VR602	V8264700	Rotary Variable Resistor	B 50.0K XV09213P	LOW(CH14)	01
* VR603	V8264700	Rotary Variable Resistor	B 50.0K XV09213P	HIGH(CH14)	01
VR604	VZ611200	Rotary Variable Resistor	C 100K RK12L123	MID-f(CH14)	05
* VR605	V8393300	Rotary Variable Resistor	W 20.0K XV09213P	MID(CH14)	04
VR606	VU804100	Slide Variable Resistor	RS6011YG6036-10KA	FADER(CH14)	03
VR607	VZ610800	Rotary Variable Resistor	AC 20K RK12L123	PAN(CH14)	01
* VR608	V8264600	Rotary Variable Resistor	A 20.0K XV09213P	AUX1(CH14)	01
* VR609	V8264600	Rotary Variable Resistor	A 20.0K XV09213P	AUX2(CH14)	01
* VR610	V8264600	Rotary Variable Resistor	A 20.0K XV09213P	EFFECT1(CH14)	01
* VR611	V8264600	Rotary Variable Resistor	A 20.0K XV09213P	EFFECT2(CH14)	01
* VR701	V8393200	Rotary Variable Resistor	RD 5.0K XV09213P	GAIN(CH15)	01
* VR702	V8264700	Rotary Variable Resistor	B 50.0K XV09213P	LOW(CH15)	01
* VR703	V8264700	Rotary Variable Resistor	B 50.0K XV09213P	HIGH(CH15)	01
VR704	VZ611200	Rotary Variable Resistor	C 100K RK12L123	MID-f(CH15)	05
* VR705	V8393300	Rotary Variable Resistor	W 20.0K XV09213P	MID(CH15)	04
VR706	VU804100	Slide Variable Resistor	RS6011YG6036-10KA	FADER(CH15)	03
VR707	VZ610800	Rotary Variable Resistor	AC 20K RK12L123	PAN(CH15)	01
* VR708	V8264600	Rotary Variable Resistor	A 20.0K XV09213P	AUX1(CH15)	01
* VR709	V8264600	Rotary Variable Resistor	A 20.0K XV09213P	AUX2(CH15)	01
* VR710	V8264600	Rotary Variable Resistor	A 20.0K XV09213P	EFFECT1(CH15)	01
* VR711	V8264600	Rotary Variable Resistor	A 20.0K XV09213P	EFFECT2(CH15)	01
* VR801	V8393200	Rotary Variable Resistor	RD 5.0K XV09213P	GAIN(CH16)	01
* VR802	V8264700	Rotary Variable Resistor	B 50.0K XV09213P	LOW(CH16)	01
* VR803	V8264700	Rotary Variable Resistor	B 50.0K XV09213P	HIGH(CH16)	01
VR804	VZ611200	Rotary Variable Resistor	C 100K RK12L123	MID-f(CH16)	05
* VR805	V8393300	Rotary Variable Resistor	W 20.0K XV09213P	MID(CH16)	04
VR806	VU804100	Slide Variable Resistor	RS6011YG6036-10KA	FADER(CH16)	03
VR807	VZ610800	Rotary Variable Resistor	AC 20K RK12L123	PAN(CH16)	01

*: New Parts

RANK: Japan only

REF NO.	PART NO.	DESCRIPTION		REMARKS	QTY	RANK
* VR808	V8264600	Rotary Variable Resistor	A 20.0K XV09213P	AUX1(CH16)		01
* VR809	V8264600	Rotary Variable Resistor	A 20.0K XV09213P	AUX2(CH16)		01
* VR810	V8264600	Rotary Variable Resistor	A 20.0K XV09213P	EFFECT1(CH16)		01
* VR811	V8264600	Rotary Variable Resistor	A 20.0K XV09213P	EFFECT2(CH16)		01
ZD101	VU171800	Zener Diode	UDZ 4.7BTE-17 4.7V			01
ZD201	VU171800	Zener Diode	UDZ 4.7BTE-17 4.7V			01
ZD301	VU171800	Zener Diode	UDZ 4.7BTE-17 4.7V			01
ZD401	VU171800	Zener Diode	UDZ 4.7BTE-17 4.7V			01
ZD501	VU171800	Zener Diode	UDZ 4.7BTE-17 4.7V			01
ZD601	VU171800	Zener Diode	UDZ 4.7BTE-17 4.7V			01
ZD701	VU171800	Zener Diode	UDZ 4.7BTE-17 4.7V			01
ZD801	VU171800	Zener Diode	UDZ 4.7BTE-17 4.7V			01
* V8267500		Circuit Board	MAS	EMX5000-20 (X0656B0)		
V4467500		Button	CD-GRAY/WHITE	AUX1(CH17/18,19/20), AUX2 (CH17/18,19/20), PFL(CH17 /18,19/20, EFFECT1, EFFEC T2, ST SUB IN1, ST SUB IN 2,2TR IN, ST OUT), AFL(A UX1, AUX2, MONO OUT, ST O UT), ST GRAPHIC EQUALIZER	17	01
VV307300		LED Spacer			15	01
VZ968600		Button	NO.947 CD-GRAY	CH ON(CH17/18, 19/20, EFF ECT1, EFFECT2, TAP, STAND BY)	6	01
V8454100		LED Holder			2	
--		Jumper Wire	0.60	(VV29140)	343	01
--		Jumper Wire	0.60 TP	(V829020)	65	
C101	UR847100	Electrolytic Cap.	10.00 25.0V			01
C102	UR847100	Electrolytic Cap.	10.00 25.0V			01
* C103	UX062330	Ceramic Capacitor (Chip)	330P 50V J			
* C104	UX062330	Ceramic Capacitor (Chip)	330P 50V J			
C105	UX062100	Ceramic Capacitor (Chip)	100P 50V J			01
C106	UX062100	Ceramic Capacitor (Chip)	100P 50V J			01
C107	UR828470	Electrolytic Cap.	470.00 10.0V			01
C108	UR828470	Electrolytic Cap.	470.00 10.0V			01
* C109	UX062330	Ceramic Capacitor (Chip)	330P 50V J			
* C110	UX062330	Ceramic Capacitor (Chip)	330P 50V J			
C111	UX061470	Ceramic Capacitor (Chip)	47P 50V J			
C112	UX061470	Ceramic Capacitor (Chip)	47P 50V J			
C113	UR847100	Electrolytic Cap.	10.00 25.0V			01
C114	UR847100	Electrolytic Cap.	10.00 25.0V			01
C115	UA954100	Mylar Capacitor	0.0100 50V J			01
C116	UA954120	Mylar Capacitor	0.0120 50V J			
C117	UA954150	Mylar Capacitor	0.0150 50V J			01
C118	UA954100	Mylar Capacitor	0.0100 50V J			01
C119	UA954120	Mylar Capacitor	0.0120 50V J			
C120	UA953390	Mylar Capacitor	3900P 50V J			01
C121	UA954150	Mylar Capacitor	0.0150 50V J			01
C122	UA953390	Mylar Capacitor	3900P 50V J			01
* C123	UX061270	Ceramic Capacitor (Chip)	27P 50V J			
C124	UX062100	Ceramic Capacitor (Chip)	100P 50V J			01
* C125	UX061270	Ceramic Capacitor (Chip)	27P 50V J			
C126	UX062100	Ceramic Capacitor (Chip)	100P 50V J			01
C127	UR847470	Electrolytic Cap.	47.00 25.0V			01
C128	UR847470	Electrolytic Cap.	47.00 25.0V			01
C130	UR866470	Electrolytic Cap.	4.70 50.0V			01
C131	UX063100	Ceramic Capacitor (Chip)	1000P 50V K			01
C132	UR847100	Electrolytic Cap.	10.00 25.0V			01
C133	UR847100	Electrolytic Cap.	10.00 25.0V			01
C134	UX062100	Ceramic Capacitor (Chip)	100P 50V J			01
-137	UX062100	Ceramic Capacitor (Chip)	100P 50V J			01
C138	UX061470	Ceramic Capacitor (Chip)	47P 50V J			
C139	UX061470	Ceramic Capacitor (Chip)	47P 50V J			
C140	UR847470	Electrolytic Cap.	47.00 25.0V			01
C141	UR847470	Electrolytic Cap.	47.00 25.0V			01
C142	UX064100	Ceramic Capacitor (Chip)	0.0100 50V K			01
-151	UX064100	Ceramic Capacitor (Chip)	0.0100 50V K			01
C201	UR847100	Electrolytic Cap.	10.00 25.0V			01
C202	UR847100	Electrolytic Cap.	10.00 25.0V			01

*: New Parts

RANK: Japan only

REF NO.	PART NO.	DESCRIPTION		REMARKS	QTY	RANK
* C203	UX062330	Ceramic Capacitor (Chip)	330P 50V J			
* C204	UX062330	Ceramic Capacitor (Chip)	330P 50V J			
C205	UX062100	Ceramic Capacitor (Chip)	100P 50V J			01
C206	UX062100	Ceramic Capacitor (Chip)	100P 50V J			01
C207	UR828470	Electrolytic Cap.	470.00 10.0V			01
C208	UR828470	Electrolytic Cap.	470.00 10.0V			01
* C209	UX062330	Ceramic Capacitor (Chip)	330P 50V J			
* C210	UX062330	Ceramic Capacitor (Chip)	330P 50V J			
C211	UX061470	Ceramic Capacitor (Chip)	47P 50V J			
C212	UX061470	Ceramic Capacitor (Chip)	47P 50V J			
C213	UR847100	Electrolytic Cap.	10.00 25.0V			01
C214	UR847100	Electrolytic Cap.	10.00 25.0V			01
C215	UA954100	Mylar Capacitor	0.0100 50V J			01
C216	UA954120	Mylar Capacitor	0.0120 50V J			
C217	UA954150	Mylar Capacitor	0.0150 50V J			01
C218	UA954100	Mylar Capacitor	0.0100 50V J			01
C219	UA954120	Mylar Capacitor	0.0120 50V J			
C220	UA953390	Mylar Capacitor	3900P 50V J			01
C221	UA954150	Mylar Capacitor	0.0150 50V J			01
C222	UA953390	Mylar Capacitor	3900P 50V J			01
* C223	UX061270	Ceramic Capacitor (Chip)	27P 50V J			
* C224	UX062100	Ceramic Capacitor (Chip)	100P 50V J			01
* C225	UX061270	Ceramic Capacitor (Chip)	27P 50V J			
C226	UX062100	Ceramic Capacitor (Chip)	100P 50V J			01
C227	UR847470	Electrolytic Cap.	47.00 25.0V			01
C228	UR847470	Electrolytic Cap.	47.00 25.0V			01
C230	UR866470	Electrolytic Cap.	4.70 50.0V			01
C231	UX063100	Ceramic Capacitor (Chip)	1000P 50V K			01
C232	UR847100	Electrolytic Cap.	10.00 25.0V			01
C233	UR847100	Electrolytic Cap.	10.00 25.0V			01
C234	UX062100	Ceramic Capacitor (Chip)	100P 50V J			01
-237	UX062100	Ceramic Capacitor (Chip)	100P 50V J			01
C238	UX061470	Ceramic Capacitor (Chip)	47P 50V J			
C239	UX061470	Ceramic Capacitor (Chip)	47P 50V J			
C240	UR847470	Electrolytic Cap.	47.00 25.0V			01
C241	UR847470	Electrolytic Cap.	47.00 25.0V			01
C242	UX064100	Ceramic Capacitor (Chip)	0.0100 50V K			01
-249	UX064100	Ceramic Capacitor (Chip)	0.0100 50V K			01
C301	UX064100	Ceramic Capacitor (Chip)	0.0100 50V K			01
C302	UR866220	Electrolytic Cap.	2.20 50.0V			01
C303	UR866330	Electrolytic Cap.	3.30 50.0V			01
C304	UX064100	Ceramic Capacitor (Chip)	0.0100 50V K			01
-306	UX064100	Ceramic Capacitor (Chip)	0.0100 50V K			01
C307	UR867470	Electrolytic Cap.	47.00 50.0V			01
C308	UX064100	Ceramic Capacitor (Chip)	0.0100 50V K			01
C309	UR867470	Electrolytic Cap.	47.00 50.0V			01
-311	UR867470	Electrolytic Cap.	47.00 50.0V			01
C312	UX064100	Ceramic Capacitor (Chip)	0.0100 50V K			01
C313	UR867470	Electrolytic Cap.	47.00 50.0V			01
C314	UR867470	Electrolytic Cap.	47.00 50.0V			01
C317	UX062220	Ceramic Capacitor (Chip)	220P 50V J			01
-322	UX062220	Ceramic Capacitor (Chip)	220P 50V J			01
C323	UX064100	Ceramic Capacitor (Chip)	0.0100 50V K			01
C324	UX061470	Ceramic Capacitor (Chip)	47P 50V J			
C325	UX061470	Ceramic Capacitor (Chip)	47P 50V J			
C326	UX061220	Ceramic Capacitor (Chip)	22P 50V J			01
-329	UX061220	Ceramic Capacitor (Chip)	22P 50V J			01
C330	UX064100	Ceramic Capacitor (Chip)	0.0100 50V K			01
C331	UX064100	Ceramic Capacitor (Chip)	0.0100 50V K			01
C332	UX062220	Ceramic Capacitor (Chip)	220P 50V J			01
-337	UX062220	Ceramic Capacitor (Chip)	220P 50V J			01
C338	UX061470	Ceramic Capacitor (Chip)	47P 50V J			
C339	UX064100	Ceramic Capacitor (Chip)	0.0100 50V K			01
C340	UX061470	Ceramic Capacitor (Chip)	47P 50V J			
C341	UX061220	Ceramic Capacitor (Chip)	22P 50V J			01
C342	UX061220	Ceramic Capacitor (Chip)	22P 50V J			01
C343	UX061680	Ceramic Capacitor (Chip)	68P 50V J			01
C344	UX061680	Ceramic Capacitor (Chip)	68P 50V J			01
C345	UX064100	Ceramic Capacitor (Chip)	0.0100 50V K			01
-351	UX064100	Ceramic Capacitor (Chip)	0.0100 50V K			01

*: New Parts

RANK: Japan only

REF NO.	PART NO.	DESCRIPTION	REMARKS	QTY	RANK
C352	UX062220	Ceramic Capacitor (Chip)	220P 50V J		01
-357	UX062220	Ceramic Capacitor (Chip)	220P 50V J		01
C358	UX064100	Ceramic Capacitor (Chip)	0.0100 50V K		01
C359	UX061220	Ceramic Capacitor (Chip)	22P 50V J		01
-364	UX061220	Ceramic Capacitor (Chip)	22P 50V J		01
C365	UX064100	Ceramic Capacitor (Chip)	0.0100 50V K		01
C366	UX064100	Ceramic Capacitor (Chip)	0.0100 50V K		01
C367	UX062100	Ceramic Capacitor (Chip)	100P 50V J		01
C368	UX062100	Ceramic Capacitor (Chip)	100P 50V J		01
C369	UX064100	Ceramic Capacitor (Chip)	0.0100 50V K		01
C370	UX061680	Ceramic Capacitor (Chip)	68P 50V J		01
C371	UX061680	Ceramic Capacitor (Chip)	68P 50V J		01
C372	UX064100	Ceramic Capacitor (Chip)	0.0100 50V K		01
C373	UR847470	Electrolytic Cap.	47.00 25.0V		01
C374	UR847470	Electrolytic Cap.	47.00 25.0V		01
C375	UR847100	Electrolytic Cap.	10.00 25.0V		01
-378	UR847100	Electrolytic Cap.	10.00 25.0V		01
C379	UX064100	Ceramic Capacitor (Chip)	0.0100 50V K		01
C380	UR847100	Electrolytic Cap.	10.00 25.0V		01
C381	UR847100	Electrolytic Cap.	10.00 25.0V		01
C382	UX064100	Ceramic Capacitor (Chip)	0.0100 50V K		01
-385	UX064100	Ceramic Capacitor (Chip)	0.0100 50V K		01
* C386	VV064600	Monolithic Mylar Capacitor	1.5 50V J		01
C387	UA655820	Mylar Capacitor	0.8200 50V J		01
C388	UA655470	Mylar Capacitor	0.4700 50V J		01
C389	UA655220	Mylar Capacitor	0.2200 50V J		01
C390	V5868900	Mylar Capacitor	0.1 50V J		01
C391	UA954470	Mylar Capacitor	0.0470 50V J		01
C392	UA954270	Mylar Capacitor	0.0270 50V J		01
C393	UA954120	Mylar Capacitor	0.0120 50V J		01
C394	UA953680	Mylar Capacitor	6800P 50V J		01
* C395	VV064600	Monolithic Mylar Capacitor	1.5 50V J		01
C396	UA655820	Mylar Capacitor	0.8200 50V J		01
C397	UA655470	Mylar Capacitor	0.4700 50V J		01
C398	UA655220	Mylar Capacitor	0.2200 50V J		01
C399	V5868900	Mylar Capacitor	0.1 50V J		01
C400	UA954470	Mylar Capacitor	0.0470 50V J		01
C401	UA954270	Mylar Capacitor	0.0270 50V J		01
C402	UA954120	Mylar Capacitor	0.0120 50V J		01
C403	UA953680	Mylar Capacitor	6800P 50V J		01
C404	UX064100	Ceramic Capacitor (Chip)	0.0100 50V K		01
C405	UA655150	Mylar Capacitor	0.1500 50V J		01
C406	UA954820	Mylar Capacitor	0.0820 50V J		01
C407	UA954390	Mylar Capacitor	0.0390 50V J		01
C408	UA954180	Mylar Capacitor	0.0180 50V J		01
C409	UA954100	Mylar Capacitor	0.0100 50V J		01
C410	UA953470	Mylar Capacitor	4700P 50V J		01
C411	UA953220	Mylar Capacitor	2200P 50V J		01
C412	UA953120	Mylar Capacitor	1200P 50V J		01
* C413	V8507200	Mylar Capacitor	680P 50V J		01
C414	UA655150	Mylar Capacitor	0.1500 50V J		01
C415	UA954820	Mylar Capacitor	0.0820 50V J		01
C416	UA954390	Mylar Capacitor	0.0390 50V J		01
C417	UA954180	Mylar Capacitor	0.0180 50V J		01
C418	UA954100	Mylar Capacitor	0.0100 50V J		01
C419	UA953470	Mylar Capacitor	4700P 50V J		01
C420	UA953220	Mylar Capacitor	2200P 50V J		01
C421	UA953120	Mylar Capacitor	1200P 50V J		01
* C422	V8507200	Mylar Capacitor	680P 50V J		01
C423	UX064100	Ceramic Capacitor (Chip)	0.0100 50V K		01
-428	UX064100	Ceramic Capacitor (Chip)	0.0100 50V K		01
C429	UX062470	Ceramic Capacitor (Chip)	470P 50V J		01
C430	UX062470	Ceramic Capacitor (Chip)	470P 50V J		01
C431	UX064100	Ceramic Capacitor (Chip)	0.0100 50V K		01
C432	UR847470	Electrolytic Cap.	47.00 25.0V		01
C433	UR847470	Electrolytic Cap.	47.00 25.0V		01
C434	UX064100	Ceramic Capacitor (Chip)	0.0100 50V K		01
-438	UX064100	Ceramic Capacitor (Chip)	0.0100 50V K		01
C439	UX063100	Ceramic Capacitor (Chip)	1000P 50V K		01
-441	UX063100	Ceramic Capacitor (Chip)	1000P 50V K		01

*: New Parts

RANK: Japan only

REF NO.	PART NO.	DESCRIPTION		REMARKS	QTY	RANK
C442	UR847100	Electrolytic Cap.	10.00 25.0V			01
-446	UR847100	Electrolytic Cap.	10.00 25.0V			01
C447	UX062100	Ceramic Capacitor (Chip)	100P 50V J			01
-450	UX062100	Ceramic Capacitor (Chip)	100P 50V J			01
C451	UR847100	Electrolytic Cap.	10.00 25.0V			01
-453	UR847100	Electrolytic Cap.	10.00 25.0V			01
C454	UX062100	Ceramic Capacitor (Chip)	100P 50V J			01
-463	UX062100	Ceramic Capacitor (Chip)	100P 50V J			01
C464	UX061680	Ceramic Capacitor (Chip)	68P 50V J			01
-467	UX061680	Ceramic Capacitor (Chip)	68P 50V J			01
C468	UX061470	Ceramic Capacitor (Chip)	47P 50V J			01
C469	UX061100	Ceramic Capacitor (Chip)	10P 50V D			01
C472	UX061220	Ceramic Capacitor (Chip)	22P 50V J			01
C473	UX061220	Ceramic Capacitor (Chip)	22P 50V J			01
C474	UR848100	Electrolytic Cap.	100.00 25.0V			01
-477	UR848100	Electrolytic Cap.	100.00 25.0V			01
C478	UR847100	Electrolytic Cap.	10.00 25.0V			01
C479	UR848100	Electrolytic Cap.	100.00 25.0V			01
-483	UR848100	Electrolytic Cap.	100.00 25.0V			01
C484	UA655270	Mylar Capacitor	0.2700 50V J			01
C485	UA954820	Mylar Capacitor	0.0820 50V J			01
C486	UR847100	Electrolytic Cap.	10.00 25.0V			01
C501	UR847100	Electrolytic Cap.	10.00 25.0V			01
-506	UR847100	Electrolytic Cap.	10.00 25.0V			01
C507	UX062100	Ceramic Capacitor (Chip)	100P 50V J			01
-518	UX062100	Ceramic Capacitor (Chip)	100P 50V J			01
C519	UX061680	Ceramic Capacitor (Chip)	68P 50V J			01
C520	UX061680	Ceramic Capacitor (Chip)	68P 50V J			01
C521	UR847470	Electrolytic Cap.	47.00 25.0V			01
-524	UR847470	Electrolytic Cap.	47.00 25.0V			01
C525	UR847100	Electrolytic Cap.	10.00 25.0V			01
C526	UR847100	Electrolytic Cap.	10.00 25.0V			01
C527	UX064100	Ceramic Capacitor (Chip)	0.0100 50V K			01
C528	UX064100	Ceramic Capacitor (Chip)	0.0100 50V K			01
C529	UX062220	Ceramic Capacitor (Chip)	220P 50V J			01
C530	UX062220	Ceramic Capacitor (Chip)	220P 50V J			01
C531	UX064100	Ceramic Capacitor (Chip)	0.0100 50V K			01
C532	UX061220	Ceramic Capacitor (Chip)	22P 50V J			01
C533	UX061220	Ceramic Capacitor (Chip)	22P 50V J			01
C534	UX063100	Ceramic Capacitor (Chip)	1000P 50V K			01
C535	UX064100	Ceramic Capacitor (Chip)	0.0100 50V K			01
C536	UR847100	Electrolytic Cap.	10.00 25.0V			01
C537	UR847100	Electrolytic Cap.	10.00 25.0V			01
C538	UX064100	Ceramic Capacitor (Chip)	0.0100 50V K			01
C539	UX064100	Ceramic Capacitor (Chip)	0.0100 50V K			01
C540	UR847100	Electrolytic Cap.	10.00 25.0V			01
C541	UR847100	Electrolytic Cap.	10.00 25.0V			01
C542	UX064100	Ceramic Capacitor (Chip)	0.0100 50V K			01
C543	UX064100	Ceramic Capacitor (Chip)	0.0100 50V K			01
C544	UX061100	Ceramic Capacitor (Chip)	10P 50V D			01
C545	UX061100	Ceramic Capacitor (Chip)	10P 50V D			01
C546	UX064100	Ceramic Capacitor (Chip)	0.0100 50V K			01
C547	UR848100	Electrolytic Cap.	100.00 25.0V			01
C548	UR848100	Electrolytic Cap.	100.00 25.0V			01
C549	UX064100	Ceramic Capacitor (Chip)	0.0100 50V K			01
C550	UX063100	Ceramic Capacitor (Chip)	1000P 50V K			01
C551	UX063100	Ceramic Capacitor (Chip)	1000P 50V K			01
C552	UR838100	Electrolytic Cap.	100.00 16.0V			01
C553	UR838100	Electrolytic Cap.	100.00 16.0V			01
C601	UR866470	Electrolytic Cap.	4.70 50.0V			01
C602	UA954470	Mylar Capacitor	0.0470 50V J			01
C603	UR866470	Electrolytic Cap.	4.70 50.0V			01
C604	UR866100	Electrolytic Cap.	1.00 50.0V			01
C605	UX064100	Ceramic Capacitor (Chip)	0.0100 50V K			01
C606	UX064100	Ceramic Capacitor (Chip)	0.0100 50V K			01
C607	UX062100	Ceramic Capacitor (Chip)	100P 50V J			01
C608	UX064100	Ceramic Capacitor (Chip)	0.0100 50V K			01
C609	UR866470	Electrolytic Cap.	4.70 50.0V			01
C610	UX061470	Ceramic Capacitor (Chip)	47P 50V J			01
C611	UX064100	Ceramic Capacitor (Chip)	0.0100 50V K			01

*: New Parts

RANK: Japan only

REF NO.	PART NO.	DESCRIPTION		REMARKS	QTY	RANK
C612	UR847100	Electrolytic Cap.	10.00 25.0V			01
C613	UX064100	Ceramic Capacitor (Chip)	0.0100 50V K			01
-616	UX064100	Ceramic Capacitor (Chip)	0.0100 50V K			01
C617	UA655120	Mylar Capacitor	0.1200 50V J			01
C618	UA655120	Mylar Capacitor	0.1200 50V J			01
C619	UR866470	Electrolytic Cap.	4.70 50.0V			01
C620	UA655120	Mylar Capacitor	0.1200 50V J			01
C621	UA655120	Mylar Capacitor	0.1200 50V J			01
C622	UA954470	Mylar Capacitor	0.0470 50V J			01
C623	UR866470	Electrolytic Cap.	4.70 50.0V			01
C624	UR866100	Electrolytic Cap.	1.00 50.0V			01
C625	UR866470	Electrolytic Cap.	4.70 50.0V			01
C626	UR828470	Electrolytic Cap.	470.00 10.0V			01
C627	UR828470	Electrolytic Cap.	470.00 10.0V			01
C628	UX062100	Ceramic Capacitor (Chip)	100P 50V J			01
C629	UX064100	Ceramic Capacitor (Chip)	0.0100 50V K			01
C630	UX062100	Ceramic Capacitor (Chip)	100P 50V J			01
C631	UX064100	Ceramic Capacitor (Chip)	0.0100 50V K			01
C632	UX062220	Ceramic Capacitor (Chip)	220P 50V J			01
C633	UX062220	Ceramic Capacitor (Chip)	220P 50V J			01
C634	UX063100	Ceramic Capacitor (Chip)	1000P 50V K			01
C635	UX063100	Ceramic Capacitor (Chip)	1000P 50V K			01
C636	UX062470	Ceramic Capacitor (Chip)	470P 50V J			01
C637	UX062470	Ceramic Capacitor (Chip)	470P 50V J			01
C638	UR847100	Electrolytic Cap.	10.00 25.0V			01
C639	UR847100	Electrolytic Cap.	10.00 25.0V			01
C640	UR866100	Electrolytic Cap.	1.00 50.0V			01
C641	UR866100	Electrolytic Cap.	1.00 50.0V			01
C642	UX064100	Ceramic Capacitor (Chip)	0.0100 50V K			01
C643	UR847470	Electrolytic Cap.	47.00 25.0V			01
C644	UR847470	Electrolytic Cap.	47.00 25.0V			01
C701	UR847100	Electrolytic Cap.	10.00 25.0V			01
-704	UR847100	Electrolytic Cap.	10.00 25.0V			01
C705	UX062100	Ceramic Capacitor (Chip)	100P 50V J			01
-708	UX062100	Ceramic Capacitor (Chip)	100P 50V J			01
C709	UX061100	Ceramic Capacitor (Chip)	10P 50V D			01
-712	UX061100	Ceramic Capacitor (Chip)	10P 50V D			01
C713	UX064100	Ceramic Capacitor (Chip)	0.0100 50V K			01
-716	UX064100	Ceramic Capacitor (Chip)	0.0100 50V K			01
CN501	VQ048400	Connector, FFC	52045 35P TE			01
CN601	VV067500	Connector Base Post	M2426XX 15P TE			01
CN602	VV066200	Connector Base Post	M2426XX 2P TE			01
CN603	V2156500	FMN Connector	FMN 12P TE			03
CN604	V2156500	FMN Connector	FMN 12P TE			03
D101	VT332900	Diode	1SS355 TE-17			01
-104	VT332900	Diode	1SS355 TE-17			01
D201	VT332900	Diode	1SS355 TE-17			01
-204	VT332900	Diode	1SS355 TE-17			01
D301	VT332900	Diode	1SS355 TE-17			01
D302	VT332900	Diode	1SS355 TE-17			01
D601	VT332900	Diode	1SS355 TE-17			01
D602	VT332900	Diode	1SS355 TE-17			01
EC501	VZ303900	Rotary Encoder	SDB161PVB	PROGRAM EFFECT2		06
EC502	VZ303900	Rotary Encoder	SDB161PVB	PROGRAM EFFECT1		06
EM501	VV056900	Noise Filter	ZJSR5101-223TA			01
-504	VV056900	Noise Filter	ZJSR5101-223TA			01
IC101	XJ553A00	IC	NJM2068MD-T1	OP AMP		02
-104	XJ553A00	IC	NJM2068MD-T1	OP AMP		02
IC105	IG103520	IC	NJM4558M(T1)	OP AMP		03
IC201	XJ553A00	IC	NJM2068MD-T1	OP AMP		02
-204	XJ553A00	IC	NJM2068MD-T1	OP AMP		02
IC301	XJ553A00	IC	NJM2068MD-T1	OP AMP		02
-303	XJ553A00	IC	NJM2068MD-T1	OP AMP		02
IC305	XJ553A00	IC	NJM2068MD-T1	OP AMP		02
-310	XJ553A00	IC	NJM2068MD-T1	OP AMP		02
IC311	XM560A00	IC	NJM2060M(TE2)OP	OP AMP		02
-315	XM560A00	IC	NJM2060M(TE2)OP	OP AMP		02
IC316	XT157A00	IC	NJM4580ED	OP AMP		02
IC317	XT157A00	IC	NJM4580ED	OP AMP		02
IC318	XJ553A00	IC	NJM2068MD-T1	OP AMP		02

*: New Parts

RANK: Japan only

REF NO.	PART NO.	DESCRIPTION		REMARKS	QTY	RANK
IC319	XT157A00	IC	NJM4580ED	OP AMP		02
	-321	IC	NJM4580ED	OP AMP		02
IC501	XJ553A00	IC	NJM2068MD-T1	OP AMP		02
	-504	IC	NJM2068MD-T1	OP AMP		02
IC505	XP844A00	IC	NJM4556AL	OP AMP		02
IC601	XT547A00	IC	LB1412M	LED DRIVER		04
IC602	XT547A00	IC	LB1412M	LED DRIVER		04
IC603	XJ553A00	IC	NJM2068MD-T1	OP AMP		02
IC604	XJ553A00	IC	NJM2068MD-T1	OP AMP		02
IC605	IG103520	IC	NJM4558M(T1)	OP AMP		03
IC606	IG103520	IC	NJM4558M(T1)	OP AMP		03
IC701	XJ553A00	IC	NJM2068MD-T1	OP AMP		02
IC702	XJ553A00	IC	NJM2068MD-T1	OP AMP		02
JK101	V2886000	Phone Jack	JY-6351J-06-340	CH17L		02
JK102	V2886000	Phone Jack	JY-6351J-06-340	CH18R		02
JK103	V4807700	Pin Jack	RJ-1130A-09-0320A	LINE 17L/18R/19L/20R		03
JK201	V2886000	Phone Jack	JY-6351J-06-340	CH19L		02
JK202	V2886000	Phone Jack	JY-6351J-06-340	CH20R		02
JK301	V2886000	Phone Jack	JY-6351J-06-340	ST SUB OUT L		02
JK302	V2886000	Phone Jack	JY-6351J-06-340	ST SUB OUT R		02
JK303	V2886000	Phone Jack	JY-6351J-06-340	ST OUT L		02
JK304	V2886000	Phone Jack	JY-6351J-06-340	ST OUT R		02
JK305	V2886000	Phone Jack	JY-6351J-06-340	MONO OUT		02
JK306	V2886000	Phone Jack	JY-6351J-06-340	AUX SEND1		02
JK307	V2886000	Phone Jack	JY-6351J-06-340	AUX SEND2		02
JK308	V2886000	Phone Jack	JY-6351J-06-340	EFFECT SEND1		02
JK309	V2886000	Phone Jack	JY-6351J-06-340	EFFECT SEND2		02
JK501	V2886000	Phone Jack	JY-6351J-06-340	ST SUB IN1 L		02
JK502	V2886000	Phone Jack	JY-6351J-06-340	ST SUB IN1 R		02
JK503	V2886000	Phone Jack	JY-6351J-06-340	ST SUB IN2 L		02
JK504	V2886000	Phone Jack	JY-6351J-06-340	ST SUB IN2 R		02
JK505	V4807700	Pin Jack	RJ-1130A-09-0320A	2TR IN/REC OUT		03
JK506	V2886000	Phone Jack	JY-6351J-06-340	EFFECT ON/OFF		02
JK507	V2886000	Phone Jack	JY-6351J-06-340	TAP		02
JK508	V2886000	Phone Jack	JY-6351J-06-340	PHONES		02
JK601	V2886000	Phone Jack	JY-6351J-06-340	PAMP IN A		02
JK602	V2886000	Phone Jack	JY-6351J-06-340	PAMP IN B		02
JK603	V6127200	XML Connector	JACK JY-5042	LAMP		03
* LD101	V8840100	LED	L34HD-TNB5/13.6 RE	PEAK(CH17/18)		01
* LD102	V8840200	LED	L34GD-TNB5/13.6 GR	SIGNAL(CH17/18)		01
* LD103	V8840400	LED	L34YD-TNB5/13.6 YE	CH ON(CH17/18)		01
* LD201	V8840100	LED	L34HD-TNB5/13.6 RE	PEAK(CH19/20)		01
* LD202	V8840200	LED	L34GD-TNB5/13.6 GR	SIGNAL(CH19/20)		01
* LD203	V8840400	LED	L34YD-TNB5/13.6 YE	CH ON(CH19/20)		01
* LD301	V8840100	LED	L34HD-TNB5/13.6 RE	STAND-BY		01
* LD302	V8840400	LED	L34YD-TNB5/13.6 YE	ST GRAPHIC EQUALIZER		01
* LD501	V8840400	LED	L34YD-TNB5/13.6 YE	EFFECT1 ON/OFF		01
* LD502	V8840200	LED	L34GD-TNB5/13.6 GR	TAP		01
* LD503	V8840400	LED	L34YD-TNB5/13.6 YE	EFFECT2 ON/OFF		01
* LD601	V8840600	LED	L513HDTTNB5/5.5 RE	PEAK L		
* LD602	V8840900	LED	L513YDTTNB5/5.5 YE	ST L(+8,+5,+3,+1,0)		
* -606	V8840900	LED	L513YDTTNB5/5.5 YE			
* LD607	V8840700	LED	L513GDTTNB5/5.5 GR	ST L(-1,-3,-5,-7,-10,-15,-20)		
* -613	V8840700	LED	L513GDTTNB5/5.5 GR			
* LD614	V8840400	LED	L34YD-TNB5/13.6 YE	YAMAHA SPEAKER PROCESSING		01
* LD615	V8840600	LED	L513HDTTNB5/5.5 RE	PEAK R		
* LD616	V8840900	LED	L513YDTTNB5/5.5 YE	ST R(+8,+5,+3,+1,0)		
* -620	V8840900	LED	L513YDTTNB5/5.5 YE			
* LD621	V8840700	LED	L513GDTTNB5/5.5 GR	ST R(-1,-3,-5,-7,-10,-15,-20)		
* -627	V8840700	LED	L513GDTTNB5/5.5 GR			
* LD628	V8840100	LED	L34HD-TNB5/13.6 RE	LIMITER A		01
* LD629	V8840100	LED	L34HD-TNB5/13.6 RE	LIMITER B		01
* LD630	V8840200	LED	L34GD-TNB5/13.6 GR	POWER		01
* Q101	V7421800	Transistor	2SA2SA1312 GR,BL			01
* Q102	VV556400	Transistor	2SC2412K Q,R,S			01
* Q201	V7421800	Transistor	2SA2SA1312 GR,BL			01
* Q202	VV556400	Transistor	2SC2412K Q,R,S			01
* Q301	V7421800	Transistor	2SA2SA1312 GR,BL			01
* Q302	V7421800	Transistor	2SA2SA1312 GR,BL			01
* Q303	V7421700	Transistor (chip)	2SC2SC3324 GR,BL			01

*: New Parts

RANK: Japan only

REF NO.	PART NO.	DESCRIPTION	REMARKS	QTY	RANK
* -308	V7421700	Transistor (chip)	2SC2SC3324 GR,BL		01
Q501	VV655400	Digital Transistor	DTC114EKA TP		01
-503	VV655400	Digital Transistor	DTC114EKA TP		01
Q601	VV556400	Transistor	2SC2412K Q,R,S		01
* Q602	V7421800	Transistor	2SA2SA1312 GR,BL		01
Q603	VV556400	Transistor	2SC2412K Q,R,S		01
* Q604	V7421800	Transistor	2SA2SA1312 GR,BL		01
* -607	V7421800	Transistor	2SA2SA1312 GR,BL		01
Q608	VV556400	Transistor	2SC2412K Q,R,S		01
* Q609	V7421800	Transistor	2SA2SA1312 GR,BL		01
Q610	VV556400	Transistor	2SC2412K Q,R,S		01
-612	VV556400	Transistor	2SC2412K Q,R,S		01
Q613	VV655400	Digital Transistor	DTC114EKA TP		01
-616	VV655400	Digital Transistor	DTC114EKA TP		01
Q617	VV556400	Transistor	2SC2412K Q,R,S		01
Q618	VV556400	Transistor	2SC2412K Q,R,S		01
Q619	VV655000	Digital Transistor	DTA114EKA TP		01
Q620	VV655000	Digital Transistor	DTA114EKA TP		01
R101	RG008100	Carbon Resistor (chip)	100K 0.1 J		
R102	RG008100	Carbon Resistor (chip)	100K 0.1 J		
R103	RG007100	Carbon Resistor (chip)	10K 0.1 J		
R104	RG007100	Carbon Resistor (chip)	10K 0.1 J		
R105	RG006470	Carbon Resistor (chip)	4.7K 0.1 J		
R106	RG006470	Carbon Resistor (chip)	4.7K 0.1 J		
R107	RG005220	Carbon Resistor (chip)	220 0.1 J		
R108	RG005220	Carbon Resistor (chip)	220 0.1 J		
* R109	RG005120	Carbon Resistor (chip)	120 0.1 J		
* R110	RG005120	Carbon Resistor (chip)	120 0.1 J		
* R111	RG007200	Carbon Resistor (chip)	20K 0.1 J		
* R112	RG007200	Carbon Resistor (chip)	20K 0.1 J		
R113	RG007100	Carbon Resistor (chip)	10K 0.1 J		
R114	RG005680	Carbon Resistor (chip)	680 0.1 J		
R115	RG006270	Carbon Resistor (chip)	2.7K 0.1 J		
R116	RG007100	Carbon Resistor (chip)	10K 0.1 J		
R117	RG005680	Carbon Resistor (chip)	680 0.1 J		
R118	RG006270	Carbon Resistor (chip)	2.7K 0.1 J		
R119	RG007100	Carbon Resistor (chip)	10K 0.1 J		
R120	RG007100	Carbon Resistor (chip)	10K 0.1 J		
R121	RG006270	Carbon Resistor (chip)	2.7K 0.1 J		
R122	RG007100	Carbon Resistor (chip)	10K 0.1 J		
R123	RG005680	Carbon Resistor (chip)	680 0.1 J		
R124	RG006270	Carbon Resistor (chip)	2.7K 0.1 J		
R125	RG006270	Carbon Resistor (chip)	2.7K 0.1 J		
R126	RG007100	Carbon Resistor (chip)	10K 0.1 J		
R127	RG005680	Carbon Resistor (chip)	680 0.1 J		
R128	RG006270	Carbon Resistor (chip)	2.7K 0.1 J		
R129	RG004100	Carbon Resistor (chip)	10 0.1 J		
R130	RG004100	Carbon Resistor (chip)	10 0.1 J		
R131	RG007560	Carbon Resistor (chip)	56K 0.1 J		
R132	RG007330	Carbon Resistor (chip)	33K 0.1 J		
R133	RG008220	Carbon Resistor (chip)	220K 0.1 J		
R134	RG005220	Carbon Resistor (chip)	220 0.1 J		
R135	RG007120	Carbon Resistor (chip)	12K 0.1 J		
R136	RG006330	Carbon Resistor (chip)	3.3K 0.1 J		
R137	RG007330	Carbon Resistor (chip)	33K 0.1 J		
R138	RG008100	Carbon Resistor (chip)	100K 0.1 J		
* R139	RG206220	Carbon Resistor (chip)	2.2K 1/4 J		
* R140	RG206270	Carbon Resistor (chip)	2.7K 1/4 J		
R141	RG005220	Carbon Resistor (chip)	220 0.1 J		
R142	RG005220	Carbon Resistor (chip)	220 0.1 J		
R143	RG007180	Carbon Resistor (chip)	18K 0.1 J		
R144	RG007180	Carbon Resistor (chip)	18K 0.1 J		
R145	RG005220	Carbon Resistor (chip)	220 0.1 J		
R146	RG005220	Carbon Resistor (chip)	220 0.1 J		
R147	RG006470	Carbon Resistor (chip)	4.7K 0.1 J		
R148	RG006470	Carbon Resistor (chip)	4.7K 0.1 J		
R149	RG007100	Carbon Resistor (chip)	10K 0.1 J		
R150	RG007100	Carbon Resistor (chip)	10K 0.1 J		
R151	RG004100	Carbon Resistor (chip)	10 0.1 J		
R152	RG004100	Carbon Resistor (chip)	10 0.1 J		

*: New Parts

RANK: Japan only

REF NO.	PART NO.	DESCRIPTION	REMARKS	QTY	RANK
R153	RG008220	Carbon Resistor (chip)	220K 0.1 J		
R154	RG008220	Carbon Resistor (chip)	220K 0.1 J		
R155	RG007180	Carbon Resistor (chip)	18K 0.1 J		
R156	RG007180	Carbon Resistor (chip)	18K 0.1 J		
R157	RG007270	Carbon Resistor (chip)	27K 0.1 J		
-164	RG007270	Carbon Resistor (chip)	27K 0.1 J		
* R165	RG007360	Carbon Resistor (chip)	36K 0.1 J		
* R166	RG007360	Carbon Resistor (chip)	36K 0.1 J		
R201	RG008100	Carbon Resistor (chip)	100K 0.1 J		
R202	RG008100	Carbon Resistor (chip)	100K 0.1 J		
R203	RG007100	Carbon Resistor (chip)	10K 0.1 J		
R204	RG007100	Carbon Resistor (chip)	10K 0.1 J		
R205	RG006470	Carbon Resistor (chip)	4.7K 0.1 J		
R206	RG006470	Carbon Resistor (chip)	4.7K 0.1 J		
R207	RG005220	Carbon Resistor (chip)	220 0.1 J		
R208	RG005220	Carbon Resistor (chip)	220 0.1 J		
* R209	RG005120	Carbon Resistor (chip)	120 0.1 J		
* R210	RG005120	Carbon Resistor (chip)	120 0.1 J		
* R211	RG007200	Carbon Resistor (chip)	20K 0.1 J		
* R212	RG007200	Carbon Resistor (chip)	20K 0.1 J		
R213	RG007100	Carbon Resistor (chip)	10K 0.1 J		
R214	RG005680	Carbon Resistor (chip)	680 0.1 J		
R215	RG006270	Carbon Resistor (chip)	2.7K 0.1 J		
R216	RG007100	Carbon Resistor (chip)	10K 0.1 J		
R217	RG005680	Carbon Resistor (chip)	680 0.1 J		
R218	RG006270	Carbon Resistor (chip)	2.7K 0.1 J		
R219	RG007100	Carbon Resistor (chip)	10K 0.1 J		
R220	RG007100	Carbon Resistor (chip)	10K 0.1 J		
R221	RG006270	Carbon Resistor (chip)	2.7K 0.1 J		
R222	RG007100	Carbon Resistor (chip)	10K 0.1 J		
R223	RG005680	Carbon Resistor (chip)	680 0.1 J		
R224	RG006270	Carbon Resistor (chip)	2.7K 0.1 J		
R225	RG006270	Carbon Resistor (chip)	2.7K 0.1 J		
R226	RG007100	Carbon Resistor (chip)	10K 0.1 J		
R227	RG005680	Carbon Resistor (chip)	680 0.1 J		
R228	RG006270	Carbon Resistor (chip)	2.7K 0.1 J		
R229	RG004100	Carbon Resistor (chip)	10 0.1 J		
R230	RG004100	Carbon Resistor (chip)	10 0.1 J		
R231	RG007560	Carbon Resistor (chip)	56K 0.1 J		
R232	RG007330	Carbon Resistor (chip)	33K 0.1 J		
R233	RG008220	Carbon Resistor (chip)	220K 0.1 J		
R234	RG005220	Carbon Resistor (chip)	220 0.1 J		
R235	RG007120	Carbon Resistor (chip)	12K 0.1 J		
R236	RG006330	Carbon Resistor (chip)	3.3K 0.1 J		
R237	RG007330	Carbon Resistor (chip)	33K 0.1 J		
* R238	RG008100	Carbon Resistor (chip)	100K 0.1 J		
* R239	RG206220	Carbon Resistor (chip)	2.2K 1/4 J		
R240	RG206270	Carbon Resistor (chip)	2.7K 1/4 J		
R241	RG005220	Carbon Resistor (chip)	220 0.1 J		
R242	RG005220	Carbon Resistor (chip)	220 0.1 J		
R243	RG007180	Carbon Resistor (chip)	18K 0.1 J		
R244	RG007180	Carbon Resistor (chip)	18K 0.1 J		
R245	RG005220	Carbon Resistor (chip)	220 0.1 J		
R246	RG005220	Carbon Resistor (chip)	220 0.1 J		
R247	RG006470	Carbon Resistor (chip)	4.7K 0.1 J		
R248	RG006470	Carbon Resistor (chip)	4.7K 0.1 J		
R249	RG007100	Carbon Resistor (chip)	10K 0.1 J		
R250	RG007100	Carbon Resistor (chip)	10K 0.1 J		
R251	RG004100	Carbon Resistor (chip)	10 0.1 J		
R252	RG004100	Carbon Resistor (chip)	10 0.1 J		
R253	RG008220	Carbon Resistor (chip)	220K 0.1 J		
R254	RG008220	Carbon Resistor (chip)	220K 0.1 J		
R255	RG007180	Carbon Resistor (chip)	18K 0.1 J		
R256	RG007180	Carbon Resistor (chip)	18K 0.1 J		
R257	RG007270	Carbon Resistor (chip)	27K 0.1 J		
-264	RG007270	Carbon Resistor (chip)	27K 0.1 J		
* R265	RG007360	Carbon Resistor (chip)	36K 0.1 J		
* R266	RG007360	Carbon Resistor (chip)	36K 0.1 J		
R301	RG008150	Carbon Resistor (chip)	150K 0.1 J		
* R302	RG007150	Carbon Resistor (chip)	15K 0.1 J		

*: New Parts

RANK: Japan only

REF NO.	PART NO.	DESCRIPTION	REMARKS	QTY	RANK
R303	RG008100	Carbon Resistor (chip)	100K 0.1 J		
* R304	RG206270	Carbon Resistor (chip)	2.7K 1/4 J		
* R305	RG007200	Carbon Resistor (chip)	20K 0.1 J		
R306	RG007100	Carbon Resistor (chip)	10K 0.1 J		
-311	RG007100	Carbon Resistor (chip)	10K 0.1 J		
R312	RG007180	Carbon Resistor (chip)	18K 0.1 J		
R313	RG007180	Carbon Resistor (chip)	18K 0.1 J		
* R314	RG007360	Carbon Resistor (chip)	36K 0.1 J		
* -321	RG007360	Carbon Resistor (chip)	36K 0.1 J		
R322	RG007100	Carbon Resistor (chip)	10K 0.1 J		
R323	RG007100	Carbon Resistor (chip)	10K 0.1 J		
R324	RG007180	Carbon Resistor (chip)	18K 0.1 J		
R325	RG007180	Carbon Resistor (chip)	18K 0.1 J		
* R326	RG007360	Carbon Resistor (chip)	36K 0.1 J		
* R327	RG007360	Carbon Resistor (chip)	36K 0.1 J		
R328	RG007100	Carbon Resistor (chip)	10K 0.1 J		
R329	RG007100	Carbon Resistor (chip)	10K 0.1 J		
R330	RG007240	Carbon Resistor (chip)	24K 0.1 J		
-335	RG007240	Carbon Resistor (chip)	24K 0.1 J		
R336	RG007120	Carbon Resistor (chip)	12K 0.1 J		
-339	RG007120	Carbon Resistor (chip)	12K 0.1 J		
R340	RG005220	Carbon Resistor (chip)	220 0.1 J		
R341	RG005220	Carbon Resistor (chip)	220 0.1 J		
R344	RG007120	Carbon Resistor (chip)	12K 0.1 J		
R345	RG007120	Carbon Resistor (chip)	12K 0.1 J		
* R346	RG007360	Carbon Resistor (chip)	36K 0.1 J		
* -348	RG007360	Carbon Resistor (chip)	36K 0.1 J		
R349	RG007180	Carbon Resistor (chip)	18K 0.1 J		
R350	RG007180	Carbon Resistor (chip)	18K 0.1 J		
* R351	RG007360	Carbon Resistor (chip)	36K 0.1 J		
R352	RG007180	Carbon Resistor (chip)	18K 0.1 J		
R353	RG007180	Carbon Resistor (chip)	18K 0.1 J		
R354	RG005220	Carbon Resistor (chip)	220 0.1 J		
R355	RG005220	Carbon Resistor (chip)	220 0.1 J		
R356	RG004100	Carbon Resistor (chip)	10 0.1 J		
R357	RG004100	Carbon Resistor (chip)	10 0.1 J		
R358	RG006330	Carbon Resistor (chip)	3.3K 0.1 J		
R359	RG006330	Carbon Resistor (chip)	3.3K 0.1 J		
R360	RG005560	Carbon Resistor (chip)	560 0.1 J		
-377	RG005560	Carbon Resistor (chip)	560 0.1 J		
R378	RG007470	Carbon Resistor (chip)	47K 0.1 J		
-397	RG007470	Carbon Resistor (chip)	47K 0.1 J		
R398	RG006330	Carbon Resistor (chip)	3.3K 0.1 J		
R399	RG006330	Carbon Resistor (chip)	3.3K 0.1 J		
R400	RG008100	Carbon Resistor (chip)	100K 0.1 J		
R401	RG008100	Carbon Resistor (chip)	100K 0.1 J		
* R402	RG206270	Carbon Resistor (chip)	2.7K 1/4 J		
R403	RG007680	Carbon Resistor (chip)	68K 0.1 J		
-408	RG007680	Carbon Resistor (chip)	68K 0.1 J		
* R409	RG007360	Carbon Resistor (chip)	36K 0.1 J		
* R410	RG007360	Carbon Resistor (chip)	36K 0.1 J		
R411	RG007680	Carbon Resistor (chip)	68K 0.1 J		
R412	RG007680	Carbon Resistor (chip)	68K 0.1 J		
R413	RG007270	Carbon Resistor (chip)	27K 0.1 J		
R414	RG007270	Carbon Resistor (chip)	27K 0.1 J		
R415	RG005220	Carbon Resistor (chip)	220 0.1 J		
-418	RG005220	Carbon Resistor (chip)	220 0.1 J		
R419	RG007180	Carbon Resistor (chip)	18K 0.1 J		
-422	RG007180	Carbon Resistor (chip)	18K 0.1 J		
R423	RG005220	Carbon Resistor (chip)	220 0.1 J		
-426	RG005220	Carbon Resistor (chip)	220 0.1 J		
R427	RG007180	Carbon Resistor (chip)	18K 0.1 J		
R428	RG006220	Carbon Resistor (chip)	2.2K 0.1 J		
R429	RG006220	Carbon Resistor (chip)	2.2K 0.1 J		
R430	RG007180	Carbon Resistor (chip)	18K 0.1 J		
R431	RG007180	Carbon Resistor (chip)	18K 0.1 J		
R432	RG006430	Carbon Resistor (chip)	4.3K 0.1 J		
R433	RG006430	Carbon Resistor (chip)	4.3K 0.1 J		
R434	RG006220	Carbon Resistor (chip)	2.2K 0.1 J		
R435	RG006220	Carbon Resistor (chip)	2.2K 0.1 J		

*: New Parts

RANK: Japan only

REF NO.	PART NO.	DESCRIPTION	REMARKS	QTY	RANK
R436	RG007100	Carbon Resistor (chip)	10K 0.1 J		
-439	RG007100	Carbon Resistor (chip)	10K 0.1 J		
R440	RG007180	Carbon Resistor (chip)	18K 0.1 J		
R441	RG008100	Carbon Resistor (chip)	100K 0.1 J		
R442	RG007100	Carbon Resistor (chip)	10K 0.1 J		
R443	RG007100	Carbon Resistor (chip)	10K 0.1 J		
R444	RG007680	Carbon Resistor (chip)	68K 0.1 J		
R445	RG007680	Carbon Resistor (chip)	68K 0.1 J		
R446	RG007100	Carbon Resistor (chip)	10K 0.1 J		
-454	RG007100	Carbon Resistor (chip)	10K 0.1 J		
R455	RG004750	Carbon Resistor (chip)	75 0.1 J		
-472	RG004750	Carbon Resistor (chip)	75 0.1 J		
R473	RF357100	Carbon Resistor (chip)	10.0K : D 1608		01
* R474	RF356680	Carbon Resistor (chip)	6.8K : D 1608		01
* R475	RF356680	Carbon Resistor (chip)	6.8K : D 1608		01
R476	RF357100	Carbon Resistor (chip)	10.0K : D 1608		01
R501	RG006150	Carbon Resistor (chip)	1.5K 0.1 J		
R502	RG006150	Carbon Resistor (chip)	1.5K 0.1 J		
* R503	RG006120	Carbon Resistor (chip)	1.2K 0.1 J		
* R504	RG006120	Carbon Resistor (chip)	1.2K 0.1 J		
* R505	RG008120	Carbon Resistor (chip)	120K 0.1 J		
* R506	RG008120	Carbon Resistor (chip)	120K 0.1 J		
R507	RG006330	Carbon Resistor (chip)	3.3K 0.1 J		
-510	RG006330	Carbon Resistor (chip)	3.3K 0.1 J		
R511	RG005220	Carbon Resistor (chip)	220 0.1 J		
R512	RG005220	Carbon Resistor (chip)	220 0.1 J		
R513	RG006680	Carbon Resistor (chip)	6.8K 0.1 J		
-516	RG006680	Carbon Resistor (chip)	6.8K 0.1 J		
R517	RG007120	Carbon Resistor (chip)	12K 0.1 J		
R518	RG007120	Carbon Resistor (chip)	12K 0.1 J		
R519	RG005220	Carbon Resistor (chip)	220 0.1 J		
-524	RG005220	Carbon Resistor (chip)	220 0.1 J		
R525	RG006680	Carbon Resistor (chip)	6.8K 0.1 J		
R526	RG006680	Carbon Resistor (chip)	6.8K 0.1 J		
R527	RG007100	Carbon Resistor (chip)	10K 0.1 J		
R528	RG007100	Carbon Resistor (chip)	10K 0.1 J		
R529	RG004100	Carbon Resistor (chip)	10 0.1 J		
-534	RG004100	Carbon Resistor (chip)	10 0.1 J		
R535	RG006910	Carbon Resistor (chip)	9.1K 0.1 J		
R536	RG006910	Carbon Resistor (chip)	9.1K 0.1 J		
R537	RG007270	Carbon Resistor (chip)	27K 0.1 J		
-540	RG007270	Carbon Resistor (chip)	27K 0.1 J		
* R541	RG007360	Carbon Resistor (chip)	36K 0.1 J		
* R542	RG007360	Carbon Resistor (chip)	36K 0.1 J		
R543	RG006910	Carbon Resistor (chip)	9.1K 0.1 J		
R544	RG006910	Carbon Resistor (chip)	9.1K 0.1 J		
R545	RG007270	Carbon Resistor (chip)	27K 0.1 J		
-548	RG007270	Carbon Resistor (chip)	27K 0.1 J		
* R549	RG007360	Carbon Resistor (chip)	36K 0.1 J		
* R550	RG007360	Carbon Resistor (chip)	36K 0.1 J		
R551	RG006910	Carbon Resistor (chip)	9.1K 0.1 J		
R552	RG006910	Carbon Resistor (chip)	9.1K 0.1 J		
* R553	RG007360	Carbon Resistor (chip)	36K 0.1 J		
* R554	RG007360	Carbon Resistor (chip)	36K 0.1 J		
R555	RG007180	Carbon Resistor (chip)	18K 0.1 J		
R556	RG007180	Carbon Resistor (chip)	18K 0.1 J		
R557	RG007270	Carbon Resistor (chip)	27K 0.1 J		
-560	RG007270	Carbon Resistor (chip)	27K 0.1 J		
* R561	RG007360	Carbon Resistor (chip)	36K 0.1 J		
* R562	RG007360	Carbon Resistor (chip)	36K 0.1 J		
R563	RG007180	Carbon Resistor (chip)	18K 0.1 J		
R564	RG007180	Carbon Resistor (chip)	18K 0.1 J		
R565	RG007270	Carbon Resistor (chip)	27K 0.1 J		
-568	RG007270	Carbon Resistor (chip)	27K 0.1 J		
* R569	RG007360	Carbon Resistor (chip)	36K 0.1 J		
* -572	RG007360	Carbon Resistor (chip)	36K 0.1 J		
R573	RG007180	Carbon Resistor (chip)	18K 0.1 J		
R574	RG007180	Carbon Resistor (chip)	18K 0.1 J		
R575	RG008180	Carbon Resistor (chip)	180K 0.1 J		
R576	RG008180	Carbon Resistor (chip)	180K 0.1 J		

*: New Parts

RANK: Japan only

REF NO.	PART NO.	DESCRIPTION	REMARKS	QTY	RANK
R577	RG005220	Carbon Resistor (chip)	220 0.1 J		
R578	RG005220	Carbon Resistor (chip)	220 0.1 J		
-580	RG005220	Carbon Resistor (chip)	220 0.1 J		
R581	RG008100	Carbon Resistor (chip)	100K 0.1 J		
R582	RG008100	Carbon Resistor (chip)	100K 0.1 J		
R583	RG205330	Carbon Resistor (chip)	330 1/4 J		
-585	RG205330	Carbon Resistor (chip)	330 1/4 J		
R601	RG008100	Carbon Resistor (chip)	100K 0.1 J		
-603	RG008100	Carbon Resistor (chip)	100K 0.1 J		
R604	RG006820	Carbon Resistor (chip)	8.2K 0.1 J		
R606	RG006470	Carbon Resistor (chip)	4.7K 0.1 J		
R607	RG008100	Carbon Resistor (chip)	100K 0.1 J		
R608	RG007470	Carbon Resistor (chip)	47K 0.1 J		
R609	RG006330	Carbon Resistor (chip)	3.3K 0.1 J		
R610	RG007470	Carbon Resistor (chip)	47K 0.1 J		
R611	RG007100	Carbon Resistor (chip)	10K 0.1 J		
R612	RG007100	Carbon Resistor (chip)	10K 0.1 J		
R613	RG006680	Carbon Resistor (chip)	6.8K 0.1 J		
* R614	RG206220	Carbon Resistor (chip)	2.2K 1/4 J		
* -618	RG206220	Carbon Resistor (chip)	2.2K 1/4 J		
R619	RG008100	Carbon Resistor (chip)	100K 0.1 J		
* R620	RF356390	Carbon Resistor (chip)	3.9K : D 1608		
* R621	RF356390	Carbon Resistor (chip)	3.9K : D 1608		
R622	RG008100	Carbon Resistor (chip)	100K 0.1 J		
-624	RG008100	Carbon Resistor (chip)	100K 0.1 J		
R625	RG006820	Carbon Resistor (chip)	8.2K 0.1 J		
* R626	RF357820	Carbon Resistor (chip)	82.0K : D 1608		01
* R627	RF357820	Carbon Resistor (chip)	82.0K : D 1608		01
R629	RG006470	Carbon Resistor (chip)	4.7K 0.1 J		
R630	RG008100	Carbon Resistor (chip)	100K 0.1 J		
* R631	RG206270	Carbon Resistor (chip)	2.7K 1/4 J		
R632	RG007470	Carbon Resistor (chip)	47K 0.1 J		
R633	RG006330	Carbon Resistor (chip)	3.3K 0.1 J		
R634	RG007470	Carbon Resistor (chip)	47K 0.1 J		
* R635	RG004180	Carbon Resistor (chip)	18 0.1 J		
* R636	RG004180	Carbon Resistor (chip)	18 0.1 J		
R637	RG006680	Carbon Resistor (chip)	6.8K 0.1 J		
* R638	RG206220	Carbon Resistor (chip)	2.2K 1/4 J		
* -642	RG206220	Carbon Resistor (chip)	2.2K 1/4 J		
* -643	RG006220	Carbon Resistor (chip)	2.2K 0.1 J		
R644	RG007100	Carbon Resistor (chip)	10K 0.1 J		
R645	RG006220	Carbon Resistor (chip)	2.2K 0.1 J		
R646	RG007100	Carbon Resistor (chip)	10K 0.1 J		
-648	RG007100	Carbon Resistor (chip)	10K 0.1 J		
* R649	RF357360	Carbon Resistor (chip)	36.0K : D 1608		
* R650	RF357360	Carbon Resistor (chip)	36.0K : D 1608		
R651	RG004680	Carbon Resistor (chip)	68 0.1 J		
R652	RG004680	Carbon Resistor (chip)	68 0.1 J		
R653	RG007180	Carbon Resistor (chip)	18K 0.1 J		
R654	RG007180	Carbon Resistor (chip)	18K 0.1 J		
R655	RG007560	Carbon Resistor (chip)	56K 0.1 J		
R656	RG007560	Carbon Resistor (chip)	56K 0.1 J		
* R657	RG206150	Carbon Resistor (chip)	1.5K 1/4 J		
* R658	RG206150	Carbon Resistor (chip)	1.5K 1/4 J		
R659	RG007180	Carbon Resistor (chip)	18K 0.1 J		
R660	RG007180	Carbon Resistor (chip)	18K 0.1 J		
R661	RG007120	Carbon Resistor (chip)	12K 0.1 J		
-663	RG007120	Carbon Resistor (chip)	12K 0.1 J		
R664	RG007560	Carbon Resistor (chip)	56K 0.1 J		
R665	RG007120	Carbon Resistor (chip)	12K 0.1 J		
R666	RG007560	Carbon Resistor (chip)	56K 0.1 J		
R667	RG004680	Carbon Resistor (chip)	68 0.1 J		
R668	RG004680	Carbon Resistor (chip)	68 0.1 J		
R669	RG007270	Carbon Resistor (chip)	27K 0.1 J		
R670	RG007220	Carbon Resistor (chip)	22K 0.1 J		
R671	RG007300	Carbon Resistor (chip)	30K 0.1 J		
R672	RG007270	Carbon Resistor (chip)	27K 0.1 J		
R673	RG007220	Carbon Resistor (chip)	22K 0.1 J		
R674	RG007300	Carbon Resistor (chip)	30K 0.1 J		
* R675	RG005330	Carbon Resistor (chip)	330 0.1 J		

*: New Parts

RANK: Japan only

REF NO.	PART NO.	DESCRIPTION	REMARKS	QTY	RANK
R676	RG007470	Carbon Resistor (chip)	47K 0.1 J		
* R677	RG005330	Carbon Resistor (chip)	330 0.1 J		
R678	RG007470	Carbon Resistor (chip)	47K 0.1 J		
R679	RG007270	Carbon Resistor (chip)	27K 0.1 J		
R680	RG007270	Carbon Resistor (chip)	27K 0.1 J		
* R681	RG007390	Carbon Resistor (chip)	39K 0.1 J		
* R682	RG007390	Carbon Resistor (chip)	39K 0.1 J		
R683	RG008390	Carbon Resistor (chip)	390K 0.1 J		
-686	RG008390	Carbon Resistor (chip)	390K 0.1 J		
R687	RG007820	Carbon Resistor (chip)	82K 0.1 J		
R688	RG007820	Carbon Resistor (chip)	82K 0.1 J		
R689	RG007220	Carbon Resistor (chip)	22K 0.1 J		
R690	RG007220	Carbon Resistor (chip)	22K 0.1 J		
R691	RG005220	Carbon Resistor (chip)	220 0.1 J		
R692	RG005220	Carbon Resistor (chip)	220 0.1 J		
* R693	RG008330	Carbon Resistor (chip)	330K 0.1 J		
* R694	RG008330	Carbon Resistor (chip)	330K 0.1 J		
* R695	RG206270	Carbon Resistor (chip)	2.7K 1/4 J		
R701	RG007560	Carbon Resistor (chip)	56K 0.1 J		
-704	RG007560	Carbon Resistor (chip)	56K 0.1 J		
* R705	RG007360	Carbon Resistor (chip)	36K 0.1 J		
* -708	RG007360	Carbon Resistor (chip)	36K 0.1 J		
RJ01	RG000000	Carbon Resistor (chip)	0 0.1 J		
-20	RG000000	Carbon Resistor (chip)	0 0.1 J		
SW101	V6962600	Push Switch		AUX1(CH17/18)	02
SW102	V6962600	Push Switch		AUX2(CH17/18)	02
SW103	V6962600	Push Switch		PFL(CH17/18)	02
SW104	VZ251800	Push Switch	ESB68149	CH ON/OFF(CH17/18)	03
SW201	V6962600	Push Switch		AUX1(CH19/20)	02
SW202	V6962600	Push Switch		AUX2(CH19/20)	02
SW203	V6962600	Push Switch		PFL(CH19/20)	02
SW204	VZ251800	Push Switch	ESB68149	CH ON/OFF(CH19/20)	03
SW301	V6962600	Push Switch		STAND-BY	02
SW302	VZ251800	Push Switch	ESB68149	ST GRAPHIC EQUALIZER	03
SW303	V6962600	Push Switch		PFL(ST OUT)	02
SW304	V6962600	Push Switch		AFL(ST OUT)	02
SW305	V6962600	Push Switch		AFL(MONO OUT)	02
SW306	V6962600	Push Switch		AFL(AUX1)	02
SW307	V6962600	Push Switch		AFL(AUX2)	02
SW308	VV051500	Slide Switch	SSSU012NB1-YL	LPF ON/OFF(MONO OUT)	02
SW501	V6962600	Push Switch		PFL(ST SUB IN1)	02
SW502	V6962600	Push Switch		PFL(ST SUB IN2)	02
SW503	V6962600	Push Switch		PFL(2TR IN)	02
SW504	V6962600	Push Switch		PFL(EFFECT1 RTN)	02
SW505	V6962600	Push Switch		PFL(EFFECT2 RTN)	02
SW506	V3835200	Push Switch		TAP	01
SW507	V3835200	Push Switch		EFFECT2 ON/OFF	01
SW508	V3835200	Push Switch		EFFECT1 ON/OFF	01
* SW601	V8059600	Slide Switch	SS001P2440JcPA6	LIMITER	
* SW602	V8058000	Slide Switch	SS001P242BPcA6	YAMAHA SPEAKER PROCESSING	03
* SW603	V8059400	Slide Switch	SS001P2430HcPA6	POWER 500W/300W/100W	03
VR101	VZ611000	Rotary Variable Resistor	C 20K RK12L123	GAIN(CH17/18)	05
VR102	VZ611100	Rotary Variable Resistor	B 50K RK12L123	LOW(CH17/18)	05
VR103	VZ611100	Rotary Variable Resistor	B 50K RK12L123	MID(CH17/18)	05
VR104	VZ611100	Rotary Variable Resistor	B 50K RK12L123	HIGH(CH17/18)	05
VR105	VU804200	Slide Variable Resistor	RS60112G6039-10KA2	FADER(CH17/18)	04
VR106	VZ610800	Rotary Variable Resistor	AC 20K RK12L123	BAL(CH17/18)	03
VR107	VZ610900	Rotary Variable Resistor	A 20K RK12L12C	AUX1(CH17/18)	02
VR108	VZ610900	Rotary Variable Resistor	A 20K RK12L12C	AUX2(CH17/18)	02
VR109	VZ610900	Rotary Variable Resistor	A 20K RK12L12C	EFFECT1(CH17/18)	02
VR110	VZ610900	Rotary Variable Resistor	A 20K RK12L12C	EFFECT2(CH17/18)	02
VR201	VZ611000	Rotary Variable Resistor	C 20K RK12L123	GAIN(CH19/20)	05
VR202	VZ611100	Rotary Variable Resistor	B 50K RK12L123	LOW(CH19/20)	05
VR203	VZ611100	Rotary Variable Resistor	B 50K RK12L123	MID(CH19/20)	05
VR204	VZ611100	Rotary Variable Resistor	B 50K RK12L123	HIGH(CH19/20)	05
VR205	VU804200	Slide Variable Resistor	RS60112G6039-10KA2	FADER(CH19/20)	04
VR206	VZ610800	Rotary Variable Resistor	AC 20K RK12L123	BAL(CH19/20)	03
VR207	VZ610900	Rotary Variable Resistor	A 20K RK12L12C	AUX1(CH19/20)	02
VR208	VZ610900	Rotary Variable Resistor	A 20K RK12L12C	AUX2(CH19/20)	02
VR209	VZ610900	Rotary Variable Resistor	A 20K RK12L12C	EFFECT1(CH19/20)	02

*: New Parts

RANK: Japan only

REF NO.	PART NO.	DESCRIPTION		REMARKS	QTY	RANK
VR210	VZ610900	Rotary Variable Resistor	A 20K RK12L12C	EFFECT2(CH19/20)		02
VR301	VU804300	Slide Variable Resistor	W 20.0K RS20H12	ST GRAPHIC EQUALIZER(63/1		03
-309	VU804300	Slide Variable Resistor	W 20.0K RS20H12	25/250/500/1K/2K/4K/8K/16K)		03
VR310	VZ610900	Rotary Variable Resistor	A 20K RK12L12C	ST SUB OUT		02
VR311	VU804200	Slide Variable Resistor	RS60112G6039-10KA2	FADER(ST OUT)		04
VR312	VU804100	Slide Variable Resistor	RS6011YG6036-10KA	FADER(MONO OUT)		04
VR313	VU804100	Slide Variable Resistor	RS6011YG6036-10KA	FADER(AUX1)		04
VR314	VU804100	Slide Variable Resistor	RS6011YG6036-10KA	FADER(AUX2)		04
* VR315	V8539700	Rotary Variable Resistor	C 20K RK14K123	LPF(MONO OUT)		
VR501	VZ610900	Rotary Variable Resistor	A 20K RK12L12C	ST SUB IN1(ST)		02
VR502	VZ610900	Rotary Variable Resistor	A 20K RK12L12C	ST SUB IN1(AUX1)		02
VR503	VZ610900	Rotary Variable Resistor	A 20K RK12L12C	ST SUB IN1(AUX2)		02
VR504	VZ610900	Rotary Variable Resistor	A 20K RK12L12C	ST SUB IN2(ST)		02
VR505	VZ610900	Rotary Variable Resistor	A 20K RK12L12C	ST SUB IN2(AUX1)		02
VR506	VZ610900	Rotary Variable Resistor	A 20K RK12L12C	ST SUB IN2(AUX2)		02
VR507	VZ610900	Rotary Variable Resistor	A 20K RK12L12C	2TR IN		02
VR508	VU804200	Slide Variable Resistor	RS60112G6039-10KA2	FADER(EFFECT2 RTN)		04
VR509	VZ610900	Rotary Variable Resistor	A 20K RK12L12C	EFFECT1(AUX1)		02
VR510	VZ610900	Rotary Variable Resistor	A 20K RK12L12C	EFFECT1(AUX2)		02
VR511	VU804200	Slide Variable Resistor	RS60112G6039-10KA2	FADER(EFFECT1 RTN)		04
VR512	VZ610900	Rotary Variable Resistor	A 20K RK12L12C	EFFECT2(AUX1)		02
VR513	VZ610900	Rotary Variable Resistor	A 20K RK12L12C	EFFECT2(AUX2)		02
* VR514	V8287400	Rotary Variable Resistor	B 5.0s XV09213P	EFFECT2 PARAMETER		01
VR515	VZ610900	Rotary Variable Resistor	A 20K RK12L12C	PHONES		02
* VR516	V8287400	Rotary Variable Resistor	B 5.0s XV09213P	EFFECT1 PARAMETER		01
ZD101	VU171800	Zener Diode	UDZ 4.7BTE-17 4.7V			01
ZD201	VU171800	Zener Diode	UDZ 4.7BTE-17 4.7V			01
	V8269600	Circuit Board	PWR	(X0626B0)		
	--	Jumper Wire	0.60	(VV29140)	113	01
	--	Jumper Wire	0.60 TP	(V829020)	69	
C101	VZ004000	Electrolytic Cap.-SK	2.2 200.0V			01
C102	VZ004000	Electrolytic Cap.-SK	2.2 200.0V			01
C103	UR838100	Electrolytic Cap.	100.00 16.0V			01
C104	FU451680	Mica Capacitor	68P 500V J			01
C105	FU451820	Mica Capacitor	82P 500V J			01
C106	VZ004000	Electrolytic Cap.-SK	2.2 200.0V			01
C107	VZ004000	Electrolytic Cap.-SK	2.2 200.0V			01
C108	UR838100	Electrolytic Cap.	100.00 16.0V			01
C109	FU451680	Mica Capacitor	68P 500V J			01
C110	FU451820	Mica Capacitor	82P 500V J			01
C111	UR877100	Electrolytic Cap.	10.00 63.0V			01
C112	UR877100	Electrolytic Cap.	10.00 63.0V			01
C113	VZ354000	Ceramic Capacitor-F	0.0100 50V Z			01
C114	VZ353900	Ceramic Cap.-B	1000P 50V K			01
C115	VZ353900	Ceramic Cap.-B	1000P 50V K			01
C116	UA953220	Mylar Capacitor	2200P 50V J			01
C117	V4567500	Ceramic Capacitor-SL	10P 500V K			
C118	V4567500	Ceramic Capacitor-SL	10P 500V K			
C119	UR877100	Electrolytic Cap.	10.00 63.0V			01
C120	UR877100	Electrolytic Cap.	10.00 63.0V			01
C121	VZ354000	Ceramic Capacitor-F	0.0100 50V Z			01
C122	V4567500	Ceramic Capacitor-SL	10P 500V K			
C123	V4567500	Ceramic Capacitor-SL	10P 500V K			
C124	VZ353900	Ceramic Cap.-B	1000P 50V K			01
C125	VZ353900	Ceramic Cap.-B	1000P 50V K			01
C126	UA953220	Mylar Capacitor	2200P 50V J			01
C127	VZ004000	Electrolytic Cap.-SK	2.2 200.0V			01
C128	VZ004000	Electrolytic Cap.-SK	2.2 200.0V			01
C129	V3280500	Ceramic Capacitor-B	100P 500 K			01
C130	V3280500	Ceramic Capacitor-B	100P 500 K			01
C131	VV082200	Mylar Capacitor	3.3000 100V M			03
C132	VV082200	Mylar Capacitor	3.3000 100V M			03
C133	VZ004000	Electrolytic Cap.-SK	2.2 200.0V			01
C134	VZ004000	Electrolytic Cap.-SK	2.2 200.0V			01
C135	VZ354300	Ceramic Capacitor-E	0.0022 500 M			01
C136	VZ354300	Ceramic Capacitor-E	0.0022 500 M			01
C137	VZ003800	Electrolytic Cap.-SK	100.0 160.0V			02
C138	VZ003800	Electrolytic Cap.-SK	100.0 160.0V			02
C139	VZ354600	Monolithic Ceramic Cap.	0.10 50V Z			01

*: New Parts

RANK: Japan only

REF NO.	PART NO.	DESCRIPTION		REMARKS	QTY	RANK
C140	VZ354600	Monolithic Ceramic Cap.	0.10 50V Z			01
C143	VZ354600	Monolithic Ceramic Cap.	0.10 50V Z			01
C144	VZ354600	Monolithic Ceramic Cap.	0.10 50V Z			01
C146	UR828470	Electrolytic Cap.	470.00 10.0V			01
C147	UR857470	Electrolytic Cap.	47.00 35.0V			01
C148	UR877100	Electrolytic Cap.	10.00 63.0V			01
-153	UR877100	Electrolytic Cap.	10.00 63.0V			01
C154	UR896470	Electrolytic Cap.	4.7 100.0V			01
C155	UR877100	Electrolytic Cap.	10.00 63.0V			01
-157	UR877100	Electrolytic Cap.	10.00 63.0V			01
C158	UR896470	Electrolytic Cap.	4.7 100.0V			01
C159	UR877100	Electrolytic Cap.	10.00 63.0V			01
C160	UR877100	Electrolytic Cap.	10.00 63.0V			01
C161	UR896470	Electrolytic Cap.	4.7 100.0V			01
C162	UR866100	Electrolytic Cap.	1.00 50.0V			01
C163	UA953220	Mylar Capacitor	2200P 50V J			01
C164	UA953220	Mylar Capacitor	2200P 50V J			01
CN101	V3765300	Connector Base Post	M24185XX 15 TE			01
CN102	LB932030	Base Post Connector	VH- 3P TE			01
* CN103	V3764800	Connector Base Post	M24185XX 10P TE			01
CN104	VV066200	Connector Base Post	M2426XX 2P TE			01
CN105	V3764000	Connector Base Post	M24185XX 2P TE			01
D101	VD631600	Diode	1SS133,176,HSS104			01
-108	VD631600	Diode	1SS133,176,HSS104			01
D109	VG437700	Zener Diode	MTZ J 5.6B 5.6V			01
D110	VG437700	Zener Diode	MTZ J 5.6B 5.6V			01
D111	VQ469600	Diode	HSS82			01
D112	VD631600	Diode	1SS133,176,HSS104			01
D113	VD631600	Diode	1SS133,176,HSS104			01
D114	VQ469600	Diode	HSS82			01
-117	VQ469600	Diode	HSS82			01
D118	VN478200	Diode	D1NL20U			01
D119	VN478200	Diode	D1NL20U			01
D120	VU801600	Diode	1N4004L 26			01
D121	VU801600	Diode	1N4004L 26			01
D122	VD631600	Diode	1SS133,176,HSS104			01
-125	VD631600	Diode	1SS133,176,HSS104			01
D126	VG437700	Zener Diode	MTZ J 5.6B 5.6V			01
D127	VG437700	Zener Diode	MTZ J 5.6B 5.6V			01
D128	VQ469600	Diode	HSS82			01
D129	VD631600	Diode	1SS133,176,HSS104			01
D130	VD631600	Diode	1SS133,176,HSS104			01
D131	VN478200	Diode	D1NL20U			01
D132	VN478200	Diode	D1NL20U			01
D133	VQ469600	Diode	HSS82			01
-136	VQ469600	Diode	HSS82			01
D137	VU801600	Diode	1N4004L 26			01
D138	VU801600	Diode	1N4004L 26			01
D139	VR149700	Diode Stack	D8LD40 8.0A 400V			04
D140	VR149700	Diode Stack	D8LD40 8.0A 400V			04
D141	VU801600	Diode	1N4004L 26			01
D142	VU801600	Diode	1N4004L 26			01
D143	VS135800	Diode Stack	FMX-22S 10.0A 200V			03
D144	VS135800	Diode Stack	FMX-22S 10.0A 200V			03
D145	VU801600	Diode	1N4004L 26			01
D146	VD631600	Diode	1SS133,176,HSS104			01
D147	VD631600	Diode	1SS133,176,HSS104			01
D148	VU801600	Diode	1N4004L 26			01
D149	VU801600	Diode	1N4004L 26			01
D150	VG438900	Zener Diode	MTZ J 8.2B 8.2V			01
D151	VU801600	Diode	1N4004L 26			01
D152	VU801600	Diode	1N4004L 26			01
D153	VG440800	Zener Diode	MTZ J 15.0B 15.0V			01
D154	VG443100	Zener Diode	MTZ J 27.0D 27.0V			01
D155	VG440800	Zener Diode	MTZ J 15.0B 15.0V			01
D156	VG443100	Zener Diode	MTZ J 27.0D 27.0V			01
D157	VG443100	Zener Diode	MTZ J 27.0D 27.0V			01
D158	VG443700	Zener Diode	MTZ J 33.0B 33.0V			01
E101	VV075700	Terminal Plate				01
IC101	XD853A00	IC	NJM7815FA	REGULATOR +15V		03

*: New Parts

RANK: Japan only

REF NO.	PART NO.	DESCRIPTION	REMARKS	QTY	RANK
IC102	XD854A00	IC	NJM7915FA		03
IC103	XJ607A00	IC	NJM7805FA	REGULATOR -15V	02
IC104	XJ607A00	IC	NJM7805FA	REGULATOR +5V	02
IC105	XJ608A00	IC	NJM7812FA	REGULATOR +5V	02
* JK101	V8102300	Phone Jack	STJACK LJB0661	REGULATOR +12V	02
* JK102	V8102300	Phone Jack	STJACK LJB0661	SPEAKERS A-2	02
L101	V4668300	Coil	OH-20 100UH	SPEAKERS B-2	08
L102	V4668300	Coil	OH-20 100UH		08
L103	GE300670	Ferrite Bead	BL02RN2-R62T4		02
L104	GE300670	Ferrite Bead	BL02RN2-R62T4		02
L105	VR150900	Coil	RZ-001 21mm		02
L106	VR150900	Coil	RZ-001 21mm		02
PR101	VL965100	Positive Thermistor	PTH9M04BE222TS2		04
PR102	VL964800	Positive Thermistor	PTH9M04BH222TS2		04
Q101	IC1815M0	Transistor	2SC1815 Y,GR		01
Q102	IA097030	Transistor	2SA970 GR,BL		01
Q103	IC224030	Transistor	2SC2240 GR,BL		01
Q104	IA097030	Transistor	2SA970 GR,BL		01
Q105	IA097030	Transistor	2SA970 GR,BL		01
Q106	IC1815M0	Transistor	2SC1815 Y,GR		01
Q107	VU418400	Transistor	2SA1371 D,E		01
Q108	VU418600	Transistor	2SC3468 D,E		01
Q109	IC1815M0	Transistor	2SC1815 Y,GR		01
Q110	IA097030	Transistor	2SA970 GR,BL		01
Q111	IC224030	Transistor	2SC2240 GR,BL		01
Q112	IA097030	Transistor	2SA970 GR,BL		01
Q113	IA097030	Transistor	2SA970 GR,BL		01
Q114	IC1815M0	Transistor	2SC1815 Y,GR		01
Q115	VU418400	Transistor	2SA1371 D,E		01
Q116	VU418600	Transistor	2SC3468 D,E		01
Q117	VU418400	Transistor	2SA1371 D,E		01
Q118	VU418600	Transistor	2SC3468 D,E		01
Q119	V2797700	Transistor	2SC5395 E,F		01
Q120	V2797600	Transistor	2SA1993 E,F		01
Q121	VU418600	Transistor	2SC3468 D,E		01
Q122	VU418400	Transistor	2SA1371 D,E		01
Q123	VU418400	Transistor	2SA1371 D,E		01
Q124	VU418600	Transistor	2SC3468 D,E		01
Q125	V2797700	Transistor	2SC5395 E,F		01
Q126	V2797600	Transistor	2SA1993 E,F		01
Q127	VU418600	Transistor	2SC3468 D,E		01
Q128	VU418400	Transistor	2SA1371 D,E		01
Q129	VU418600	Transistor	2SC3468 D,E		01
Q130	VU418400	Transistor	2SA1371 D,E		01
Q131	V2797700	Transistor	2SC5395 E,F		01
Q132	V2797700	Transistor	2SC5395 E,F		01
Q133	V2797700	Transistor	2SC5395 E,F		01
Q134	V2797600	Transistor	2SA1993 E,F		01
Q135	VD678500	Digital Transistor	DTA114ES		01
Q136	VS883400	Transistor	2SD2394 E,F		02
Q201N	VR732800	Transistor	A1859A/C4883A		04
Q201P	VR732800	Transistor	A1859A/C4883A		04
Q202N	VZ222300	Pair Transistor	A1492C3856(Z)(210)		06
-204N	VZ222300	Pair Transistor	A1492C3856(Z)(210)		06
Q202P	VZ222300	Pair Transistor	A1492C3856(Z)(210)		06
-204P	VZ222300	Pair Transistor	A1492C3856(Z)(210)		06
Q205N	VR732800	Transistor	A1859A/C4883A		04
Q205P	VR732800	Transistor	A1859A/C4883A		04
Q206N	VZ222300	Pair Transistor	A1492C3856(Z)(210)		06
-208N	VZ222300	Pair Transistor	A1492C3856(Z)(210)		06
Q206P	VZ222300	Pair Transistor	A1492C3856(Z)(210)		06
-208P	VZ222300	Pair Transistor	A1492C3856(Z)(210)		06
Q209N	VR732800	Transistor	A1859A/C4883A		04
Q209P	VR732800	Transistor	A1859A/C4883A		04
Q210N	VZ222300	Pair Transistor	A1492C3856(Z)(210)		06
-212N	VZ222300	Pair Transistor	A1492C3856(Z)(210)		06
Q210P	VZ222300	Pair Transistor	A1492C3856(Z)(210)		06
-212P	VZ222300	Pair Transistor	A1492C3856(Z)(210)		06
Q213N	VR732800	Transistor	A1859A/C4883A		04
Q213P	VR732800	Transistor	A1859A/C4883A		04

*: New Parts

RANK: Japan only

REF NO.	PART NO.	DESCRIPTION		REMARKS	QTY	RANK
Q214N	VZ222300	Pair Transistor	A1492C3856(Z)(210)			06
-216N	VZ222300	Pair Transistor	A1492C3856(Z)(210)			06
Q214P	VZ222300	Pair Transistor	A1492C3856(Z)(210)			06
-216P	VZ222300	Pair Transistor	A1492C3856(Z)(210)			06
R101	HF457220	Carbon Resistor	22.0K 1/4 J			01
R102	VV312800	Metal Film Resistor	680.0 1/4 F			01
R103	HF455560	Carbon Resistor	560.0 1/4 J			01
R104	HF455100	Carbon Resistor	100.0 1/4 J			01
R105	HF455560	Carbon Resistor	560.0 1/4 J			01
R106	HF455100	Carbon Resistor	100.0 1/4 J			01
R107	HF457470	Carbon Resistor	47.0K 1/4 J			01
R108	HF455560	Carbon Resistor	560.0 1/4 J			01
R109	HF457470	Carbon Resistor	47.0K 1/4 J			01
R110	VV312900	Metal Film Resistor	22K 1/4 F			01
R111	HF455330	Carbon Resistor	330.0 1/4 J			01
R112	HF455330	Carbon Resistor	330.0 1/4 J			01
R113	HF457220	Carbon Resistor	22.0K 1/4 J			01
R114	VV312800	Metal Film Resistor	680.0 1/4 F			01
R115	HF455560	Carbon Resistor	560.0 1/4 J			01
R116	HF455100	Carbon Resistor	100.0 1/4 J			01
R117	HF455560	Carbon Resistor	560.0 1/4 J			01
R118	HF455100	Carbon Resistor	100.0 1/4 J			01
R119	HF457470	Carbon Resistor	47.0K 1/4 J			01
R120	HF455560	Carbon Resistor	560.0 1/4 J			01
R121	HF457470	Carbon Resistor	47.0K 1/4 J			01
R122	VV312900	Metal Film Resistor	22K 1/4 F			01
R123	HF455330	Carbon Resistor	330.0 1/4 J			01
R124	HF455330	Carbon Resistor	330.0 1/4 J			01
R125	HF455220	Carbon Resistor	220.0 1/4 J			01
R126	HF455220	Carbon Resistor	220.0 1/4 J			01
R127	HF457470	Carbon Resistor	47.0K 1/4 J			01
-130	HF457470	Carbon Resistor	47.0K 1/4 J			01
R131	HF455560	Carbon Resistor	560.0 1/4 J			01
R132	HF455560	Carbon Resistor	560.0 1/4 J			01
R133	HF457150	Carbon Resistor	15.0K 1/4 J			01
R134	HF457150	Carbon Resistor	15.0K 1/4 J			01
R135	VZ008600	Flame Proof C. Resistor	150.0 1/4 J			01
R136	VZ008600	Flame Proof C. Resistor	150.0 1/4 J			01
R137	VZ009300	Flame Proof C. Resistor	330.0 1/4 J			01
R138	VZ009300	Flame Proof C. Resistor	330.0 1/4 J			01
R139	VV276800	Flame Proof C. Resistor	100 1/4 J			01
-142	VV276800	Flame Proof C. Resistor	100 1/4 J			01
R143	VZ009100	Flame Proof C. Resistor	33.0 1/4 J			01
R144	VZ008800	Flame Proof C. Resistor	22.0 1/4 J			01
R145	VZ008800	Flame Proof C. Resistor	22.0 1/4 J			01
R146	VZ009100	Flame Proof C. Resistor	33.0 1/4 J			01
R147	V4833200	Wire Wound Resistor	0.22 5W K			01
R148	V4833200	Wire Wound Resistor	0.22 5W K			01
R149	VZ009100	Flame Proof C. Resistor	33.0 1/4 J			01
R150	VZ008800	Flame Proof C. Resistor	22.0 1/4 J			01
R151	VZ008800	Flame Proof C. Resistor	22.0 1/4 J			01
R152	VZ009100	Flame Proof C. Resistor	33.0 1/4 J			01
R153	V4833200	Wire Wound Resistor	0.22 5W K			01
R154	V4833200	Wire Wound Resistor	0.22 5W K			01
R155	VZ009100	Flame Proof C. Resistor	33.0 1/4 J			01
R156	VZ009100	Flame Proof C. Resistor	33.0 1/4 J			01
R157	VZ008800	Flame Proof C. Resistor	22.0 1/4 J			01
R158	VZ008800	Flame Proof C. Resistor	22.0 1/4 J			01
R159	V4833200	Wire Wound Resistor	0.22 5W K			01
R160	V4833200	Wire Wound Resistor	0.22 5W K			01
R161	HF455220	Carbon Resistor	220.0 1/4 J			01
R162	HF455220	Carbon Resistor	220.0 1/4 J			01
R163	HF457470	Carbon Resistor	47.0K 1/4 J			01
-166	HF457470	Carbon Resistor	47.0K 1/4 J			01
R167	HF455560	Carbon Resistor	560.0 1/4 J			01
R168	HF455560	Carbon Resistor	560.0 1/4 J			01
R169	HF457150	Carbon Resistor	15.0K 1/4 J			01
R170	HF457150	Carbon Resistor	15.0K 1/4 J			01
R171	VZ009300	Flame Proof C. Resistor	330.0 1/4 J			01
R172	VZ009300	Flame Proof C. Resistor	330.0 1/4 J			01

*: New Parts

RANK: Japan only

REF NO.	PART NO.	DESCRIPTION	REMARKS	QTY	RANK
R173	VV276800	Flame Proof C. Resistor	100 1/4 J		01
R174	VZ008600	Flame Proof C. Resistor	150.0 1/4 J		01
R175	VV276800	Flame Proof C. Resistor	100 1/4 J		01
R176	VZ008600	Flame Proof C. Resistor	150.0 1/4 J		01
R177	VV276800	Flame Proof C. Resistor	100 1/4 J		01
R178	VV276800	Flame Proof C. Resistor	100 1/4 J		01
R179	VZ009100	Flame Proof C. Resistor	33.0 1/4 J		01
R180	VZ009100	Flame Proof C. Resistor	33.0 1/4 J		01
R181	VZ008800	Flame Proof C. Resistor	22.0 1/4 J		01
R182	VZ008800	Flame Proof C. Resistor	22.0 1/4 J		01
R183	V4833200	Wire Wound Resistor	0.22 5W K		01
R184	V4833200	Wire Wound Resistor	0.22 5W K		01
R185	VZ008800	Flame Proof C. Resistor	22.0 1/4 J		01
R186	VZ009100	Flame Proof C. Resistor	33.0 1/4 J		01
R187	VZ009100	Flame Proof C. Resistor	33.0 1/4 J		01
R188	VZ008800	Flame Proof C. Resistor	22.0 1/4 J		01
R189	V4833200	Wire Wound Resistor	0.22 5W K		01
R190	V4833200	Wire Wound Resistor	0.22 5W K		01
R191	VZ009100	Flame Proof C. Resistor	33.0 1/4 J		01
R192	VZ008800	Flame Proof C. Resistor	22.0 1/4 J		01
R193	VZ009100	Flame Proof C. Resistor	33.0 1/4 J		01
R194	VZ008800	Flame Proof C. Resistor	22.0 1/4 J		01
R195	V4833200	Wire Wound Resistor	0.22 5W K		01
R196	V4833200	Wire Wound Resistor	0.22 5W K		01
R197	HF456560	Carbon Resistor	5.6K 1/4 J		01
R198	HF456560	Carbon Resistor	5.6K 1/4 J		01
R199	VZ008800	Flame Proof C. Resistor	22.0 1/4 J		01
R200	VZ008700	Flame Proof C. Resistor	2.2K 1/4 J		01
R201	VZ008600	Flame Proof C. Resistor	150.0 1/4 J		01
R202	VZ008800	Flame Proof C. Resistor	22.0 1/4 J		01
R203	VZ008600	Flame Proof C. Resistor	150.0 1/4 J		01
R204	VZ008700	Flame Proof C. Resistor	2.2K 1/4 J		01
R205	VV313600	Flame Proof C. Resistor	2.2 1/4 J		01
R206	VV313600	Flame Proof C. Resistor	2.2 1/4 J		01
R207	VZ370200	Wire Wound Resistor	0.1 5W K		01
R208	VV313600	Flame Proof C. Resistor	2.2 1/4 J		01
R209	VV313600	Flame Proof C. Resistor	2.2 1/4 J		01
R210	VZ370200	Wire Wound Resistor	0.1 5W K		01
R211	VV313600	Flame Proof C. Resistor	2.2 1/4 J		01
R212	VZ370200	Wire Wound Resistor	0.1 5W K		01
R213	VV313600	Flame Proof C. Resistor	2.2 1/4 J		01
R214	VV313600	Flame Proof C. Resistor	2.2 1/4 J		01
R215	VZ370200	Wire Wound Resistor	0.1 5W K		01
R216	VZ370200	Wire Wound Resistor	0.1 5W K		01
R217	VV313600	Flame Proof C. Resistor	2.2 1/4 J		01
R218	VZ370200	Wire Wound Resistor	0.1 5W K		01
R219	VV276700	Flame Proof C. Resistor	4.7 1/4 J		01
-222	VV276700	Flame Proof C. Resistor	4.7 1/4 J		01
R223	VV313600	Flame Proof C. Resistor	2.2 1/4 J		01
-228	VV313600	Flame Proof C. Resistor	2.2 1/4 J		01
R229	VV313900	Flame Proof C. Resistor	680.0 1/4 J		01
R230	VV313900	Flame Proof C. Resistor	680.0 1/4 J		01
R231	VV313800	Flame Proof C. Resistor	220.0 1/4 J		01
R232	VV313800	Flame Proof C. Resistor	220.0 1/4 J		01
R233	VV058500	Flame Proof C. Resistor	10.0 1/4 J		01
-236	VV058500	Flame Proof C. Resistor	10.0 1/4 J		01
R237	HF458150	Carbon Resistor	150.0K 1/4 J		01
R238	HF458150	Carbon Resistor	150.0K 1/4 J		01
R239	HF457100	Carbon Resistor	10.0K 1/4 J		01
R240	HF457560	Carbon Resistor	56.0K 1/4 J		01
R241	HF457100	Carbon Resistor	10.0K 1/4 J		01
R242	HF457100	Carbon Resistor	10.0K 1/4 J		01
R243	HF456220	Carbon Resistor	2.2K 1/4 J		01
R244	HF457100	Carbon Resistor	10.0K 1/4 J		01
R245	HF457150	Carbon Resistor	15.0K 1/4 J		01
R246	HF457220	Carbon Resistor	22.0K 1/4 J		01
R247	HF457100	Carbon Resistor	10.0K 1/4 J		01
R248	VV313600	Flame Proof C. Resistor	2.2 1/4 J		01
R249	VV313600	Flame Proof C. Resistor	2.2 1/4 J		01
RY101	VV315400	Relay	DC OSA-SH-224DM3M		06



*: New Parts

RANK: Japan only

	REF NO.	PART NO.	DESCRIPTION		REMARKS	QTY	RANK
	RY102	VV315400	Relay	DC OSA-SH-224DM3M			06
*	SP1	V8181700	Receptacle	NL4MD-H			
*	SP2	V8181700	Receptacle	NL4MD-H			
*		AAX33190	Circuit Board	SMPS 1/2	J (V826930,X0627B0)		
*		AAX33200	Circuit Board	SMPS 1/2	U,V (V826940,X0627B0)		
*		AAX33210	Circuit Board	SMPS 1/2	H,B,W,K (V826950,X0627B0)		
*		AAX71680	Circuit Board	SMPS 1/2	A (X848520,X0627B0)		
*		AAX74520	Circuit Board	SMPS 2/2	J (V826930,X0627B0)		
*		AAX74530	Circuit Board	SMPS 2/2	U,V (V826940,X0627B0)		
*		AAX33230	Circuit Board	SMPS 2/2	H,B,W,K (V826950,X0627B0)		
*		AAX33250	Circuit Board	SMPS 2/2	A (V848520,X0627B0)		
		VQ074600	Bind Head Tapping Screw-B	3.0X12 MFZN2BL		8	01
		VV319600	Fuse Holder	CQ-05CT		8	01
		--	Heat Sink		(V850150)	3	
		--	Heat Sink		(V850210)		
		--	Jumper Wire	0.60	(VV29140)	16	01
		--	Jumper Wire	0.60 TP	(V829020)	8	
		--	Connector Assembly	SGND	(V842670)		
	C101	VZ411400	Capacitor	0.22 275V UCS	J,U,V,A		01
	C101	V9365100	Capacitor	1.00 275V UCS	H,B,W,K		
	C102	VZ411400	Capacitor	0.22 275V UCS	J,U,V,A		01
	C102	V9365100	Capacitor	1.00 275V UCS	H,B,W,K		
	C103	V6113500	Capacitor	1000P 400V J.U.C.S			
	-105	V6113500	Capacitor	1000P 400V J.U.C.S			
*	C106	V8499100	Electrolytic Cap.	2200 200V			
*	-109	V8499100	Electrolytic Cap.	2200 200V			
	C110	V5482000	Electrolytic Cap.	1000 35.0V			
	C111	UR847100	Electrolytic Cap.	10.00 25.0V			01
	C112	UR847100	Electrolytic Cap.	10.00 25.0V			01
	C113	UA953100	Mylar Capacitor	1000P 50V J			01
	C114	VZ354600	Monolithic Ceramic Cap.	0.10 50V Z			01
	C115	UR847100	Electrolytic Cap.	10.00 25.0V			01
	C116	UR866470	Electrolytic Cap.	4.70 50.0V			01
	C117	VV321100	Monolithic Mylar Capacitor	0.22 50V J			01
	C118	V9136100	Polypropylene Capacitor	1.2000 250V J	J		
	C118	V9135800	Polypropylene Capacitor	1.0000 250V J	U,V,H,W,B,A,K		
*	C119	V8763300	Electrolytic Cap.-PW	220 160.0V			
*	C120	V8763300	Electrolytic Cap.-PW	220 160.0V			
*	C121	V8500200	Electrolytic Cap.-PW	470 50.0V			
*	C122	V8500200	Electrolytic Cap.-PW	470 50.0V			
*	C123	V4881900	Electrolytic Cap.-PW	4.70 100.0V			01
*	C124	V4881900	Electrolytic Cap.-PW	4.70 100.0V			01
*	C125	V8500200	Electrolytic Cap.-PW	470 50.0V			
	C126	VZ354000	Ceramic Capacitor-F	0.0100 50V Z			01
*	C127	V8500200	Electrolytic Cap.-PW	470 50.0V			
*	C128	V8500200	Electrolytic Cap.-PW	470 50.0V			
	C129	V5868900	Mylar Capacitor	0.1 50V J			
	-131	V5868900	Mylar Capacitor	0.1 50V J			
*	C132	V8763300	Electrolytic Cap.-PW	220 160.0V			
*	C133	V8763300	Electrolytic Cap.-PW	220 160.0V			
	C136	UR847220	Electrolytic Cap.	22.00 25.0V			01
	C137	V6113500	Capacitor	1000P 400V J.U.C.S			
	C138	V6113500	Capacitor	1000P 400V J.U.C.S			
	C139	VZ354600	Monolithic Ceramic Cap.	0.10 50V Z			01
	CN101	V5817000	AC Inlet	HF-301L			
	CN102	LB932020	Base Post Connector	VH- 2P TE			01
	CN103	LB932030	Base Post Connector	VH- 3P TE			01
*	CN104	V3764800	Connector Base Post	M24185XX 10P TE			
	D101	VU801600	Diode	1N4004L 26			01
	D102	VR149900	Diode Stack	D25XB60 25.0A 600V			06
	D103	VU801600	Diode	1N4004L 26			01
	D104	VQ308300	Diode	D1NL40			02
	D105	VU801600	Diode	1N4004L 26			01
	D106	VN399500		FMU-36S 20.0A 600V			05
*	D107	V8498700	Diode	FMU-36R 20.0A 600V			04
	D108	VN478200	Diode	D1NL20U			01
	-114	VN478200	Diode	D1NL20U			01
	D115	VG440800	Zener Diode	MTZ J 15.0B 15.0V			01
	D116	VD631600	Diode	1SS133,176,HSS104			01

*: New Parts

RANK: Japan only



REF NO.	PART NO.	DESCRIPTION	REMARKS	QTY	RANK
D117	VG438900	Zener Diode	MTZ J 8.2B 8.2V		01
D118	VD631600	Diode	1SS133,176,HSS104		01
D119	VD631600	Diode	1SS133,176,HSS104		01
D120	VD631600	Diode	1SS133,176,HSS104	H,B,W,K	01
D121	VD631600	Diode	1SS133,176,HSS104	H,B,W,K	01
F101	VE876300	Fuse	20.00A J	J	02
F101	KB001380	Fuse	15.00A U	U,V	04
F101	KB003360	Fuse	6.30A S	H,B,W,A,K	02
F102	VV070600	Fuse	TDS 2A 250V J/U/C	J,U,V	01
F102	VV071500	Fuse	TSD 2A 250V SEMKO	H,B,W,A,K	01
F103	VV070600	Fuse	TDS 2A 250V J/U/C	J,U,V	01
F103	VV071500	Fuse	TSD 2A 250V SEMKO	H,B,W,A,K	01
F104	VV070600	Fuse	TDS 2A 250V J/U/C	J,U,V	01
F104	VV071500	Fuse	TSD 2A 250V SEMKO	H,B,W,A,K	01
IC101	XD853A00	IC	NUM7815FA	REGULATOR +15V	03
* IC102	X2264A00	IC		CONTROL IR2153	
J103	VV291400	Jumper Wire	0.60	J,U,V	01
* PH101	V8100500	Photo Coupler	TLP421 GR		
PR101	VL965100	Positive Thermistor	PTH9M04BE222TS2		04
PR102	VL964800	Positive Thermistor	PTH9M04BH222TS2		04
* Q101	V8101000	Transistor	2SC2655 O,Y		
Q102	V1242900	Transistor	2SA1020-Y(TPE6) Y		01
* Q103	V8234000	Transistor	1MBK50D 600V		
* Q104	V8101000	Transistor	2SC2655 O,Y		
Q105	V1242900	Transistor	2SA1020-Y(TPE6) Y		01
* Q106	V8234000	Transistor	1MBK50D 600V		
Q107	V2797700	Transistor	2SC5395 E,F		01
Q108	V2797600	Transistor	2SA1993 E,F		01
Q109	V2797600	Transistor	2SA1993 E,F		01
Q110	V2797700	Transistor	2SC5395 E,F		01
Q111	V2797700	Transistor	2SC5395 E,F		01
Q112	V2797600	Transistor	2SA1993 E,F		01
Q113	V2797700	Transistor	2SC5395 E,F		01
Q114	V2797700	Transistor	2SC5395 E,F		01
Q115	VS883400	Transistor	2SD2394 E,F		02
Q116	V2797600	Transistor	2SA1993 E,F		01
* R101	VN067400	Wire Wound Resistor	6.8 5W K		03
* R102	V9138300	Metal Oxide Film Resistor	10K 3W J		
* -105	V9138300	Metal Oxide Film Resistor	10K 3W J		
R106	VZ009100	Flame Proof C. Resistor	33.0 1/4 J		01
R107	HF457100	Carbon Resistor	10.0K 1/4 J		01
R108	HF457220	Carbon Resistor	22.0K 1/4 J		01
R109	HF458120	Carbon Resistor	120.0K 1/4 J		01
R110	HF457220	Carbon Resistor	22.0K 1/4 J		01
R111	HF457220	Carbon Resistor	22.0K 1/4 J		01
R112	HF457100	Carbon Resistor	10.0K 1/4 J		01
R113	HF457100	Carbon Resistor	10.0K 1/4 J		01
R114	HF457220	Carbon Resistor	22.0K 1/4 J		01
R115	HF457470	Carbon Resistor	47.0K 1/4 J		01
R116	HF459100	Carbon Resistor	1.0M 1/4 J		01
R117	VV058500	Flame Proof C. Resistor	10.0 1/4 J	J,U,V,A	01
R117	VZ009100	Flame Proof C. Resistor	33.0 1/4 J	H,B,W,K	01
R118	VV058500	Flame Proof C. Resistor	10.0 1/4 J	J,U,V,A	01
R118	VZ009100	Flame Proof C. Resistor	33.0 1/4 J	H,B,W,K	01
R119	VZ370200	Wire Wound Resistor	0.1 5W K		01
R120	VZ370200	Wire Wound Resistor	0.1 5W K		01
R121	HF456330	Carbon Resistor	3.3K 1/4 J		01
R123	HF456820	Carbon Resistor	8.2K 1/4 J		01
R124	HF456560	Carbon Resistor	5.6K 1/4 J		01
R125	HF456820	Carbon Resistor	8.2K 1/4 J		01
R126	HF456820	Carbon Resistor	8.2K 1/4 J		01
R127	HF455330	Carbon Resistor	330.0 1/4 J		01
R128	HF455100	Carbon Resistor	100.0 1/4 J		01
R129	HF457100	Carbon Resistor	10.0K 1/4 J		01
R130	HF457100	Carbon Resistor	10.0K 1/4 J		01
R133	HF456470	Carbon Resistor	4.7K 1/4 J		01
R134	VN067400	Wire Wound Resistor	6.8 5W K		03
R135	HF457220	Carbon Resistor	22.0K 1/4 J		01
R136	HF457330	Carbon Resistor	33.0K 1/4 J		01
R137	VV557800	Flame Proof C. Resistor	1.0 1/4 J		01

*: New Parts

RANK: Japan only

REF NO.	PART NO.	DESCRIPTION	REMARKS	QTY	RANK	
⚠	RY101	VZ003600	Relay	DC OSZ-SS-124DM8		05
⚠	* SW101	V9268000	Push Switch	SY17-2-2(U1D1) UCS	POWER ON/OFF	
⚠	T101	XY592A00	Power Transformer	A	J	06
⚠	T101	XY593A00	Power Transformer	UL	U,V	06
⚠	T101	XY594A00	Power Transformer	CE A	H,B,W,A,K	06
⚠	* T102	V8498800	Coil	SC-10-10J	J,U,V	
⚠	* T102	V9382800	Coil	RCV2505-050PF05	H,B,W,K	
⚠	* T102	V8498900	Coil	SC-05-20J	A	
⚠	* T103	V8498800	Coil	SC-10-10J	J,U,V	
⚠	* T103	V9382800	Coil	RCV2505-050PF05	H,B,W,K	
⚠	* T103	V8498900	Coil	SC-05-20J	A	
⚠	* T104	X0343A00	Power Transformer		J	
⚠	* T104	X0344A00	Power Transformer		U,V	
⚠	* T104	X0345A00	Power Transformer	CE A CLASS2	H,B,W,K	
⚠	* T104	X0346A00	Power Transformer	AS A CLASS2	A	
	* W101	V8501700	Connector Assembly	B&C #18 3P	J,U,V,A	
	* W101	V9357200	Connector Assembly	B&C #18 3P	H,B,W,K	
	* W102	V8501600	Connector Assembly	B&C #18 3P	J,U,V,A	
	* W102	V9261400	Connector Assembly	B&C #18 3P	H,B,W,K	
⚠		V7240300	AC Cord	J VCTF 0.75X3	J	
⚠		V6284300	AC Cord	UC SJT#18X3	U,V	05
⚠		V6284400	AC Cord	E H05VV-FX3 0.75	H,W,A,K	06
⚠		V6283900	AC Cord	BS H05VV-F3X0.75	B	08
	*	V6024100	Fan	3110GL-B5W-B50-H01		08
	*	V8291500	Coil	EI 3MH		

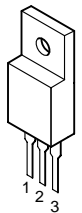
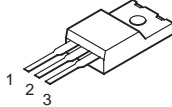
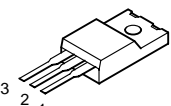
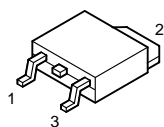
*: New Parts

RANK: Japan only

■ CIRCUIT DIAGRAMS

■ CONTENTS

CIRCUIT DIAGRAM 1/9 (IN8/IN16 1/2)	C1
CIRCUIT DIAGRAM 2/9 (IN8/IN16 2/2)	C2
CIRCUIT DIAGRAM 3/9 (MAS 1/4)	C3
CIRCUIT DIAGRAM 4/9 (MAS 2/4)	C4
CIRCUIT DIAGRAM 5/9 (MAS 3/4)	C5
CIRCUIT DIAGRAM 6/9 (MAS 4/4)	C6
CIRCUIT DIAGRAM 7/9 (DSP-SPX)	C7
CIRCUIT DIAGRAM 8/9 (SMPS 1/2, SMPS 2/2)	C8
CIRCUIT DIAGRAM 9/9 (PWR)	C9

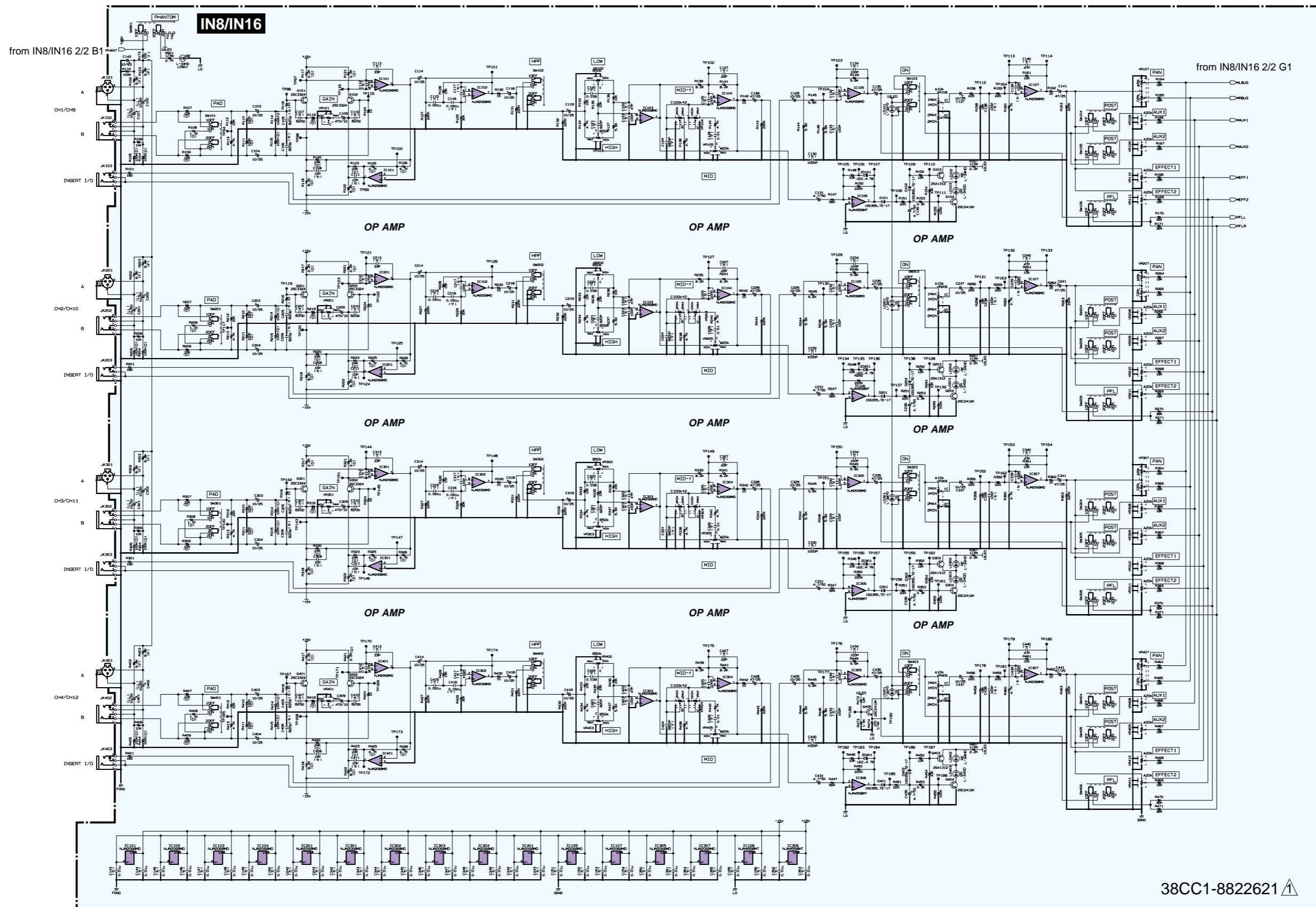
<p>●NJM7805FA (XJ607A00) REGULATOR +5V</p>  <p>1: OUTPUT 2: COMMON 3: INPUT</p>	<p>●NJM7812FA (XJ608A00) REGULATOR +12V ●NJM7815FA (XD853A00) REGULATOR +15V</p>  <p>1: INPUT 2: GND 3: OUTPUT</p>
<p>●NJM7915FA (XD854A00) REGULATOR -15V</p>  <p>1: OUTPUT 2: COMMON 3: INPUT</p>	<p>●UPC29M33T-E1 (XU965A00) REGULATOR +3.3V</p>  <p>1: V IN 2: GND 3: OUTPUT</p>

- (マイカ) : Myca Capacitor
 (セ) : Ceramic Capacitor
 (マ) : Mylar Capacitor
 (F) : Metal Film Resistor
 (金被) : Metal Film Resistor
 規格認定コン : Capacitor
 (フ) : Electrolytic Capacitor
 酸金 : Oxide Film Resistor
 (FP) : Flame Proof C.Resistor
 セメント抵抗 : Wire Wound Resistor

Note : See parts list for details of circuit board component parts.

EMX5000-12/20 CIRCUIT DIAGRAM 1/9 (IN8/IN16 1/2)

EMX5000-12/20



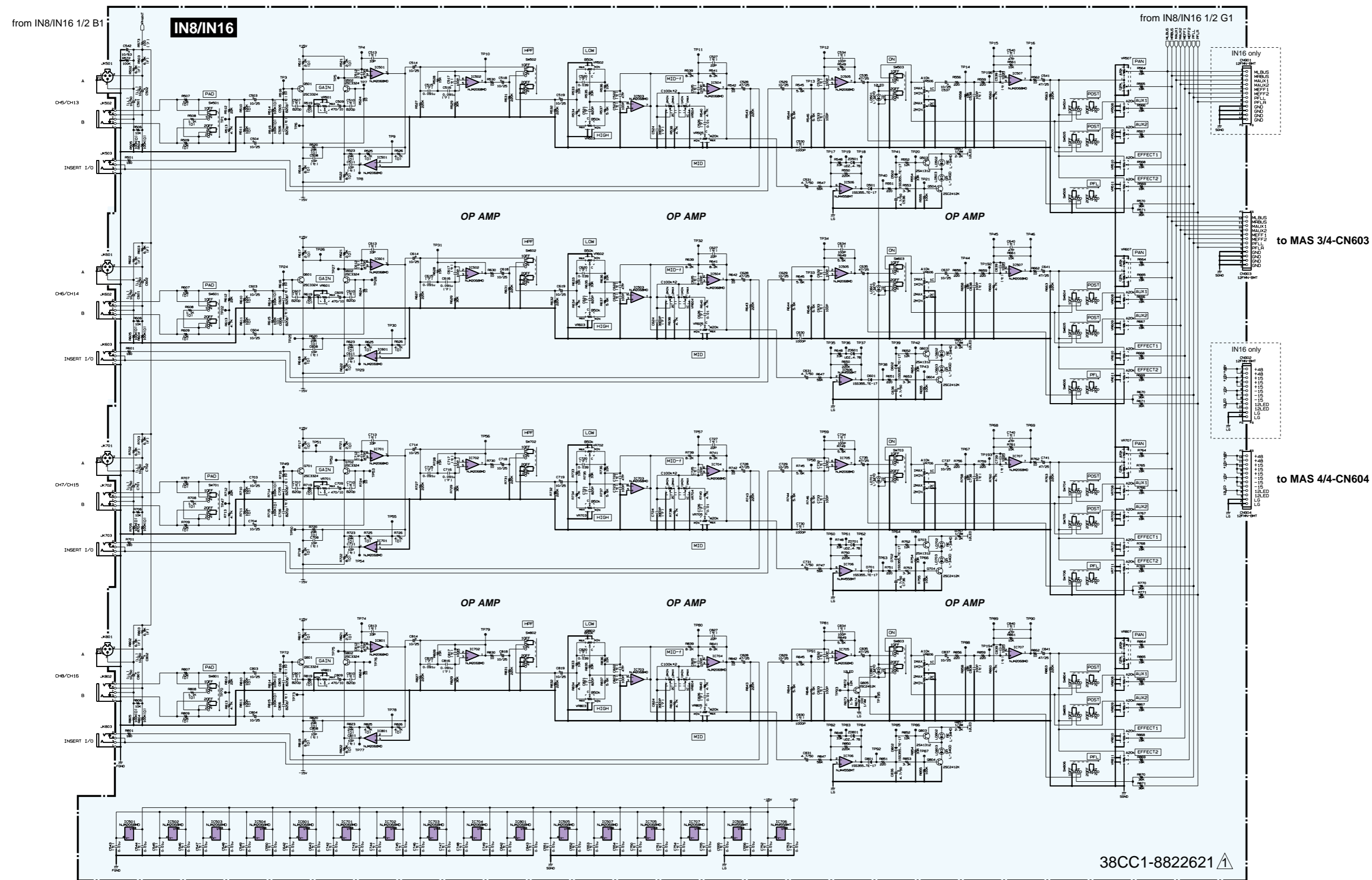
EMX5000-12/20

EMX5000-12/20

C1

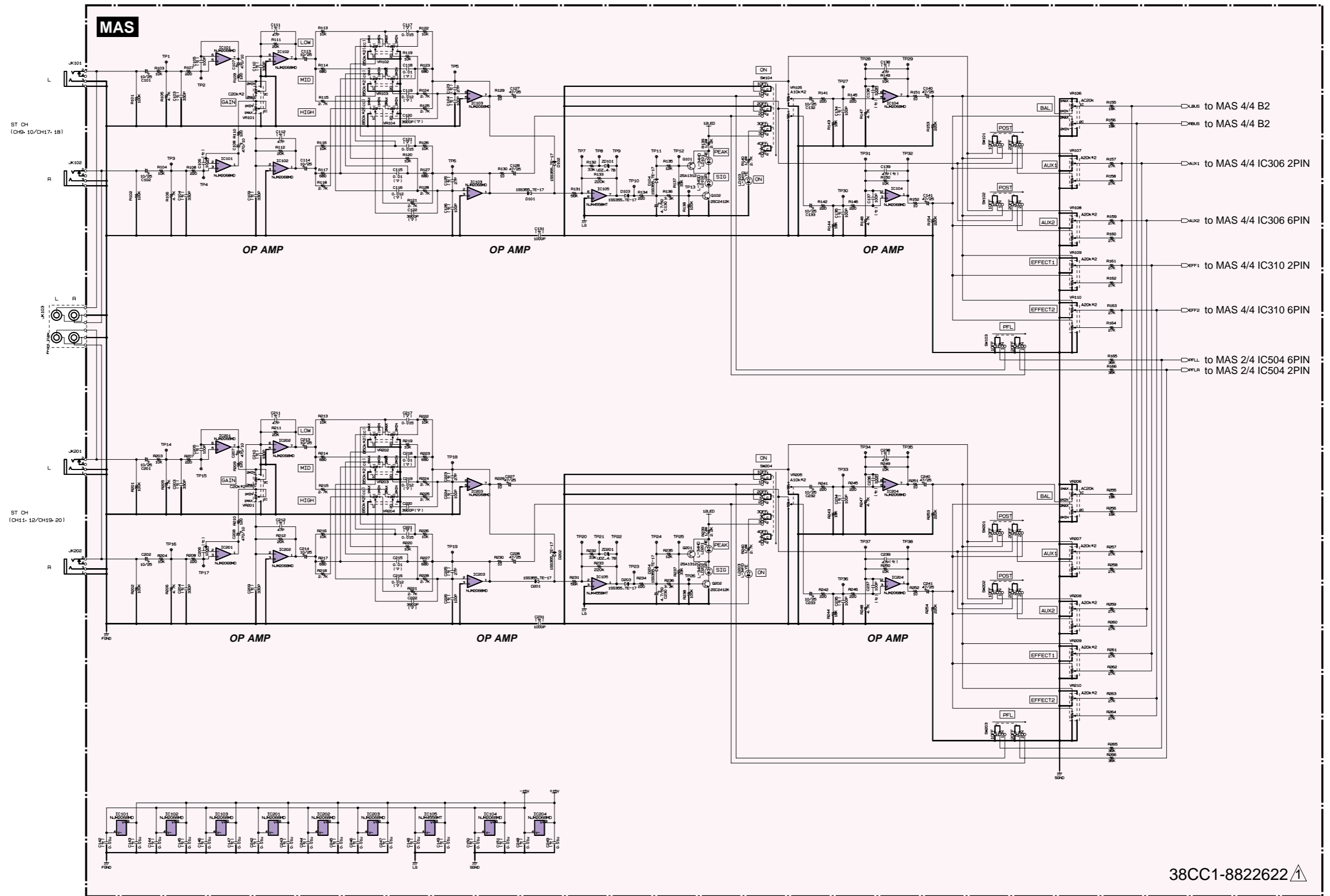
EMX5000-12/20 CIRCUIT DIAGRAM 2/9 (IN8/IN16 2/2)

EMX5000-12/20



EMX5000-12/20 CIRCUIT DIAGRAM 3/9 (MAS 1/4)

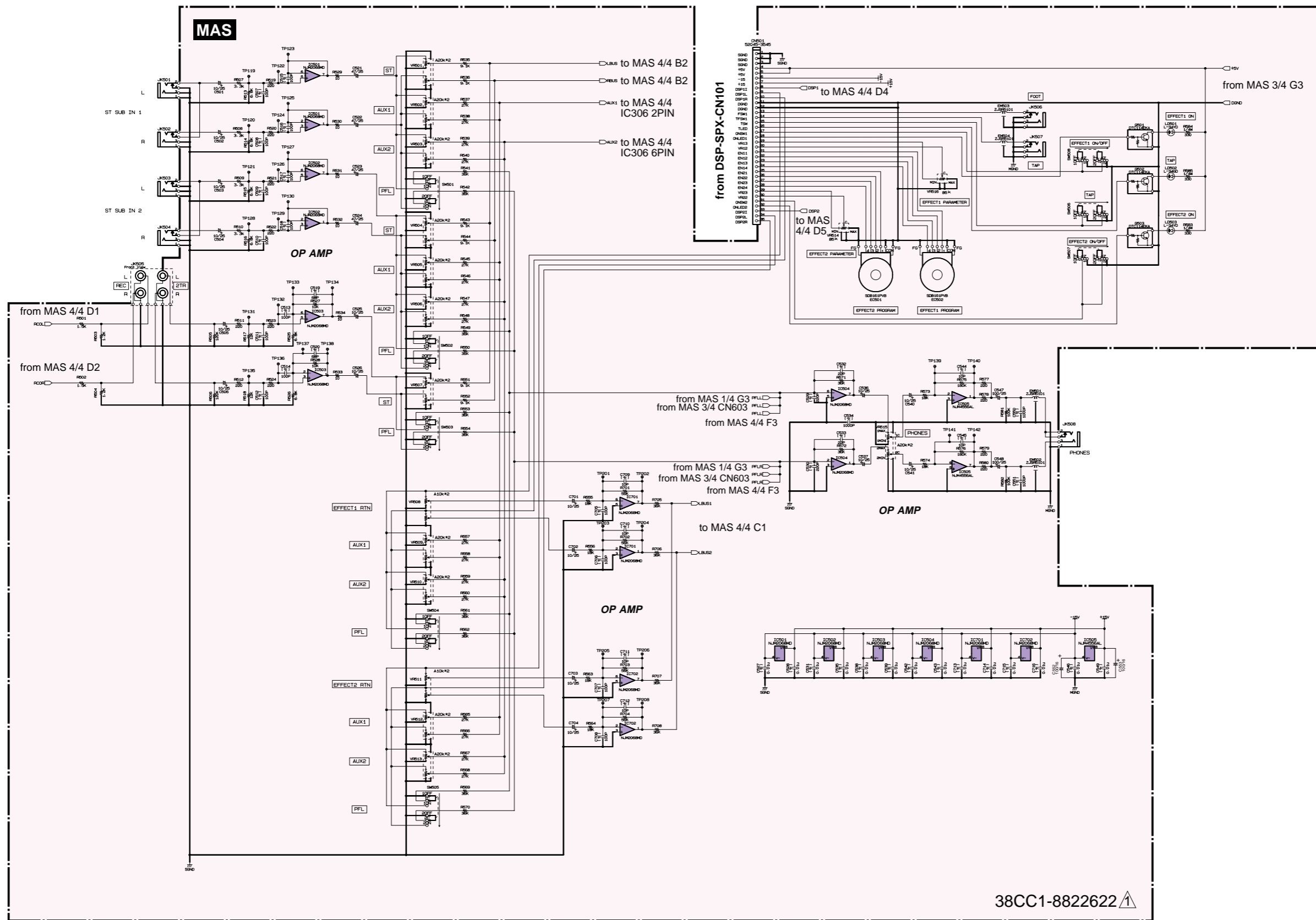
EMX5000-12/20



38CC1-8822622

EMX5000-12/20 CIRCUIT DIAGRAM 4/9 (MAS 2/4)

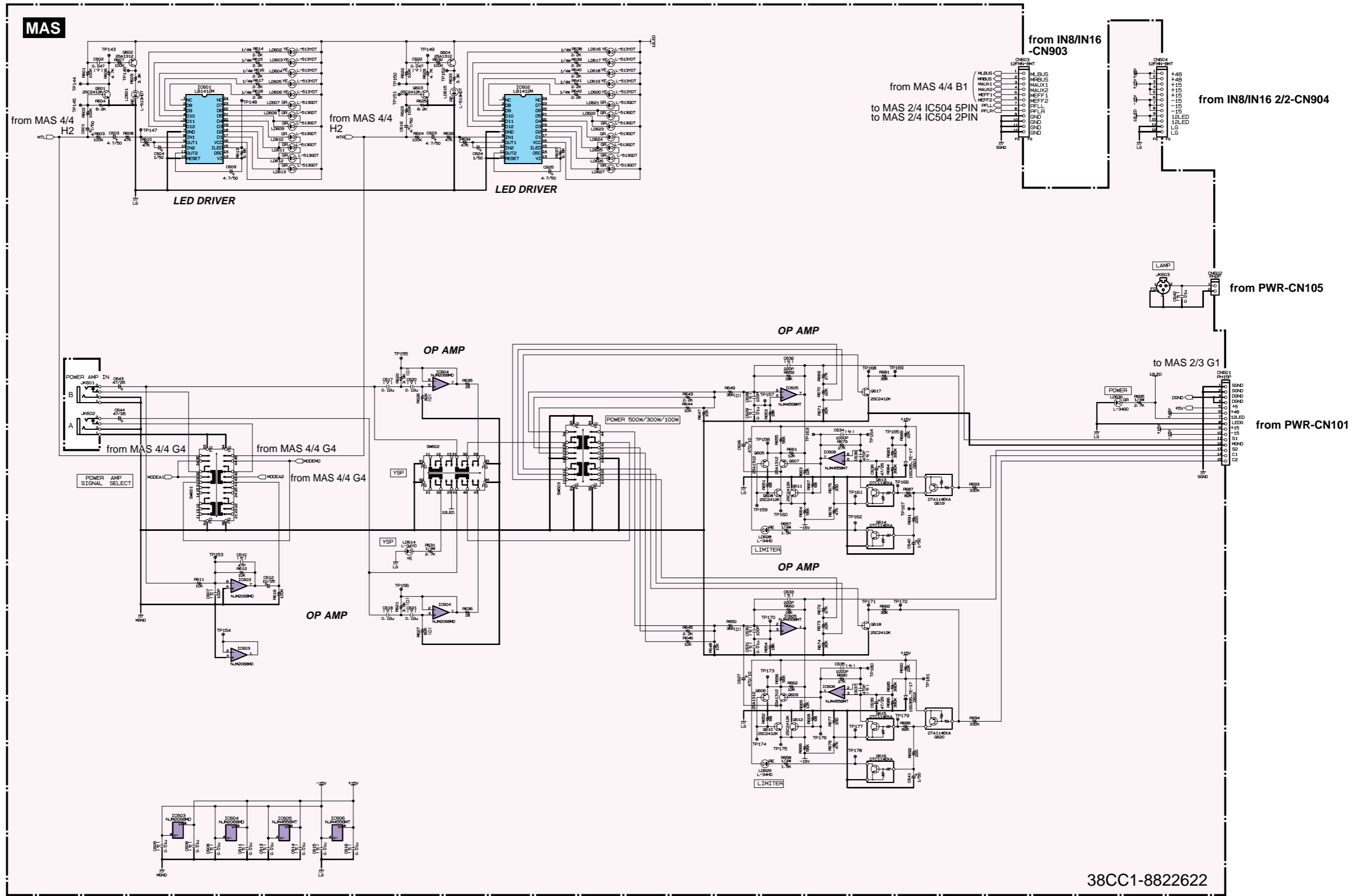
EMX5000-12/20



38CC1-8822622

EMX5000-12/20 CIRCUIT DIAGRAM 5/9 (MAS 3/4)

EMX5000-12/20

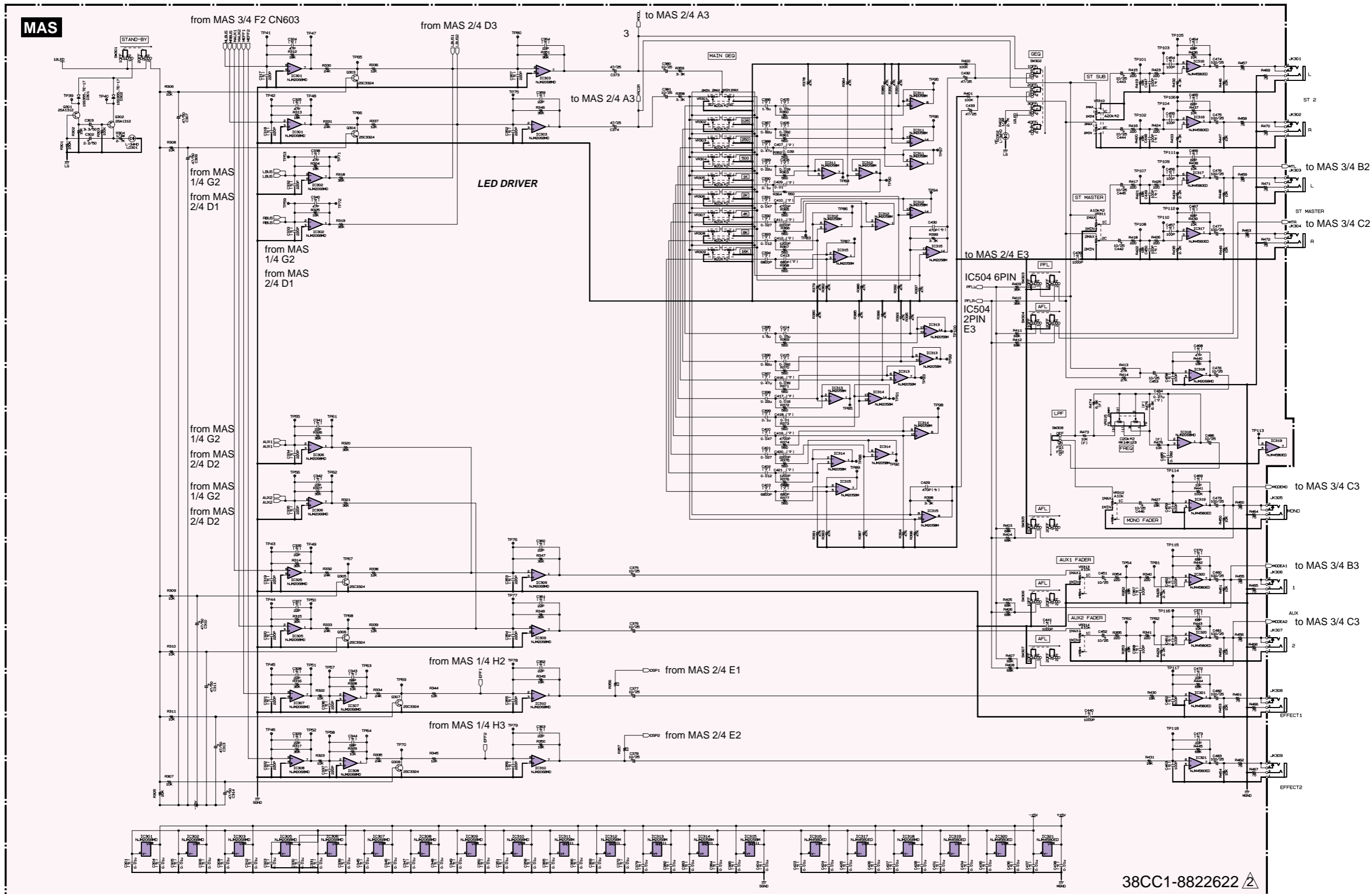


EMX5000-12/20

EMX5000-12/20

C5

EMX5000-12/20 CIRCUIT DIAGRAM 6/9 (MAS 4/4)



38CC1-8822622

1

2

3

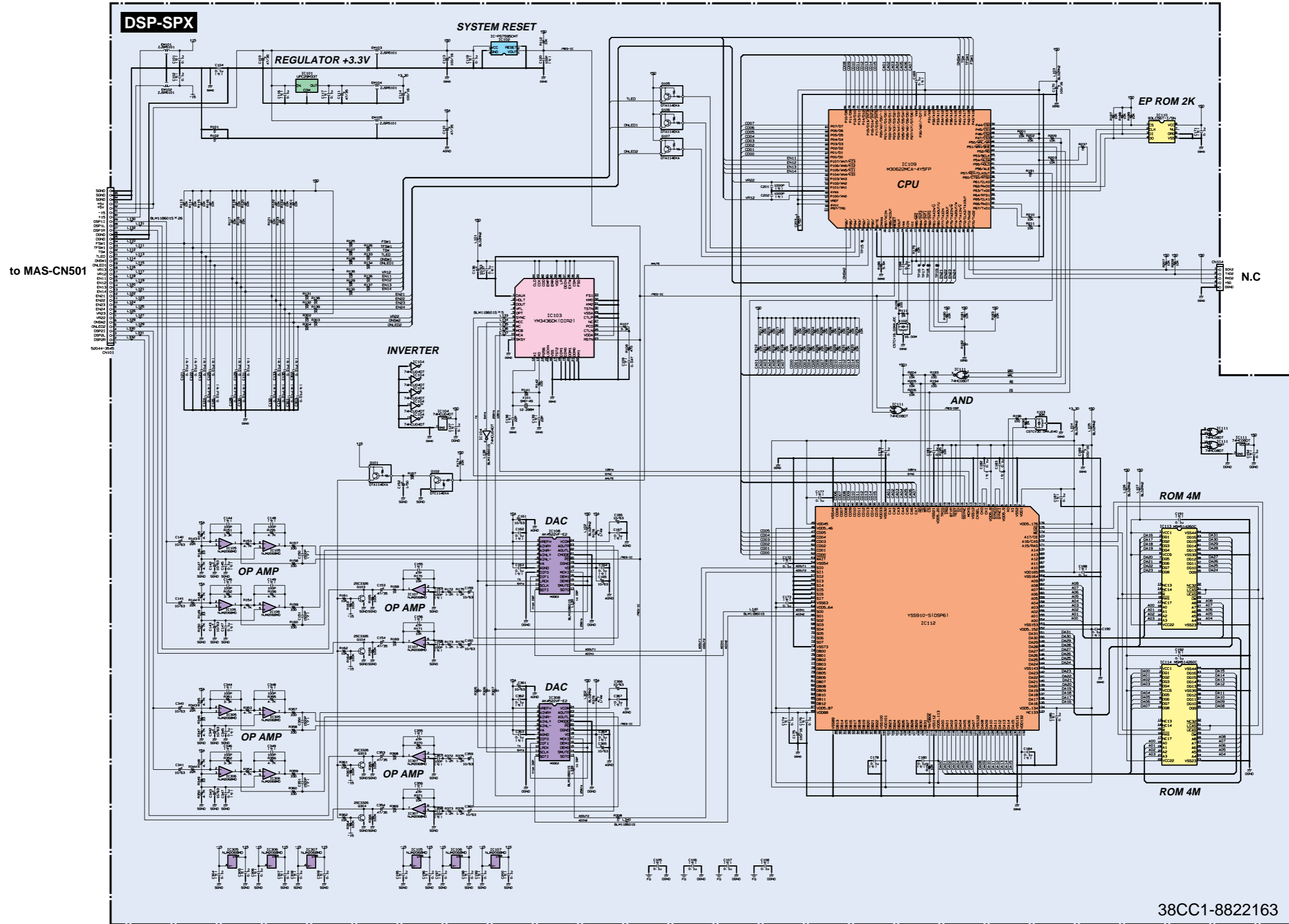
4

5

6

EMX5000-12/20 CIRCUIT DIAGRAM 7/9 (DSP-SPX)

EMX5000-12/20

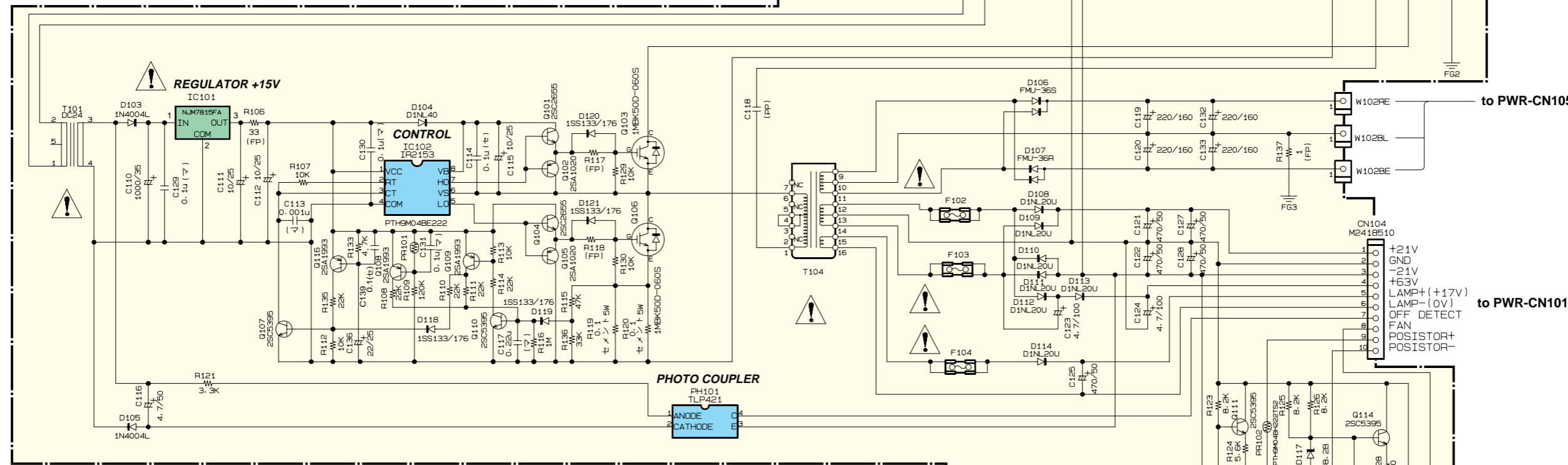
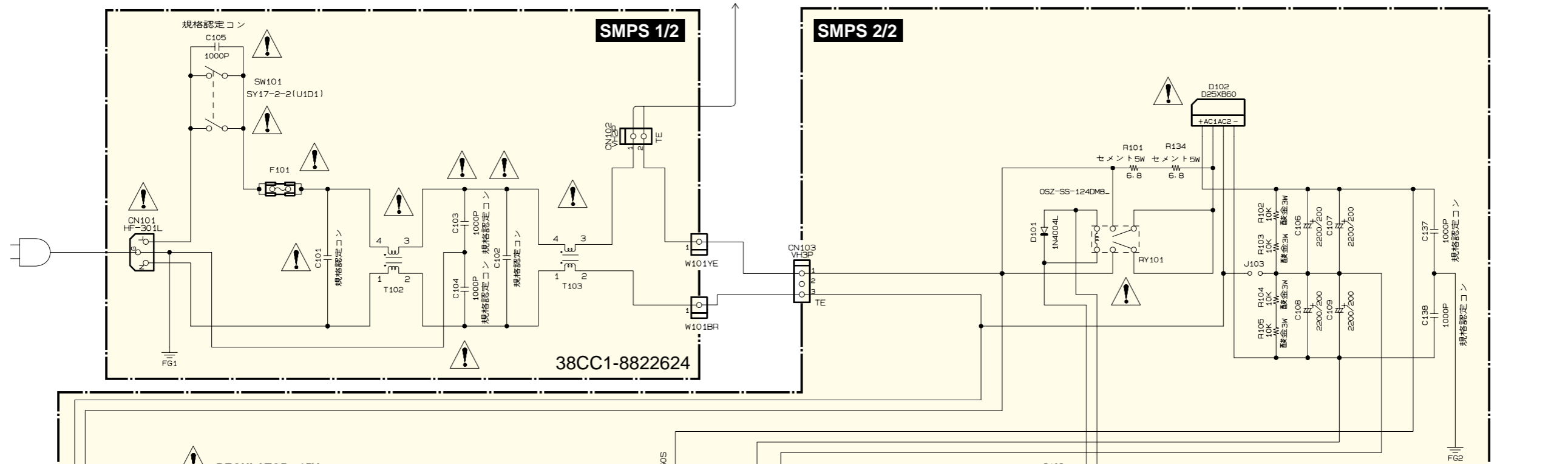


EMX5000-12/20

EMX5000-12/20

C7

EMX5000-12/20 CIRCUIT DIAGRAM 8/9 (SMPS 1/2, SMPS 2/2)



Destination	T101	T102- T103	T104	F101	F102~F104	C118	J103	R117, R118	C101, C102	D120, D121
J	XY592	V8498800	X0343	20A250V	2A250V	1.2/250	○	10Ω (FP)	0.22/275	×
U	XY593	V8498800	X0344	15A250V	2A250V	1.0/250	○	10Ω (FP)	0.22/275	×
H	XY594	V9382800	X0345	T6. 3AH	T2AL	1.0/250	×	33Ω (FP)	1.0/275	○
A	XY594	V8498900	X0346	T6. 3AH	T2AL	1.0/250	×	10Ω (FP)	0.22/275	×

○ : install
 × : not install

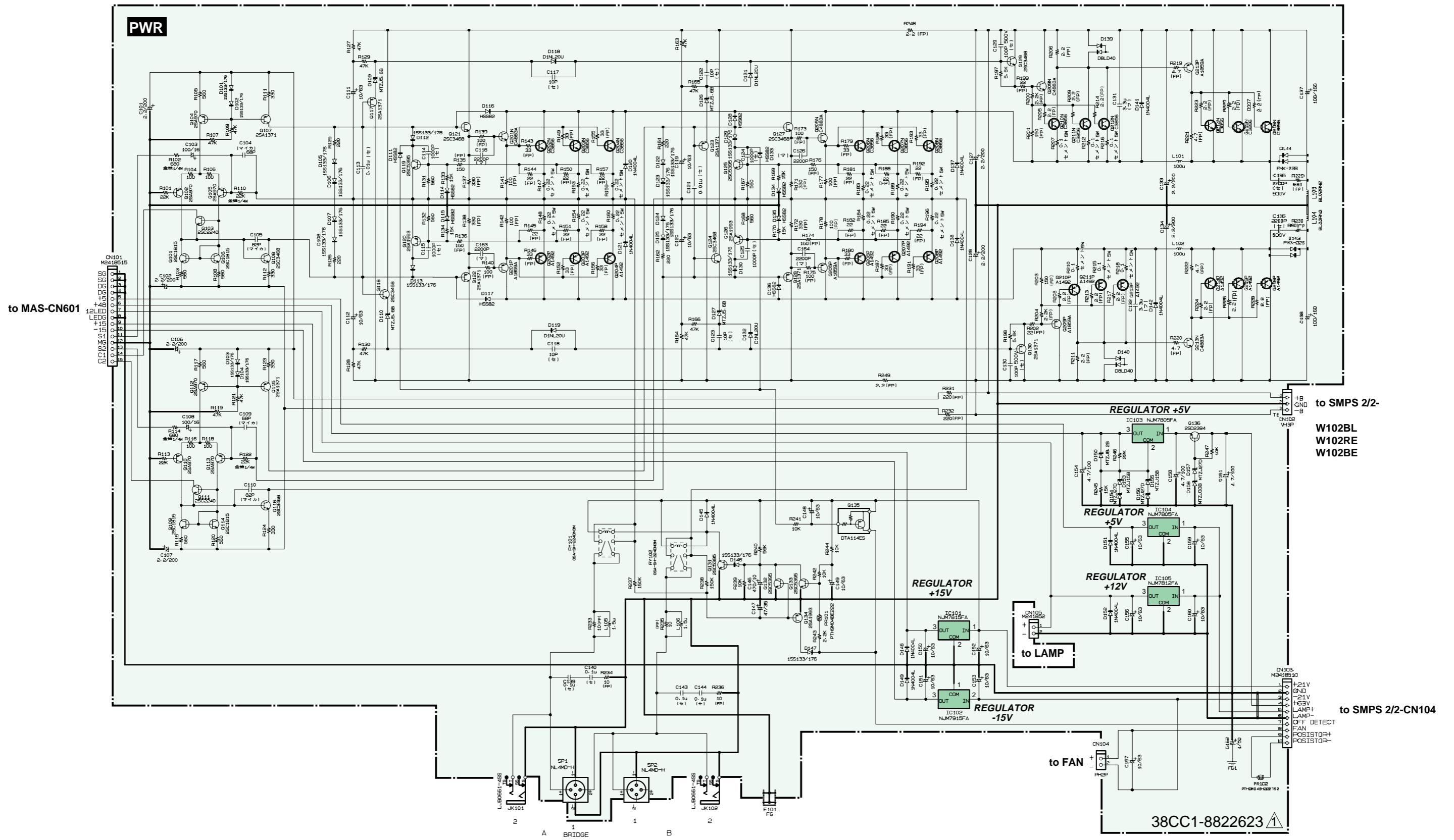
⚠ 印 : Special characteristic

38CC1-8822624 ⚠

EMX5000-12/20 CIRCUIT DIAGRAM 9/9 (PWR)

本资料由OKXIA视听皮带资源库www.okxia.cn提供

EMX5000-12/20



EMX5000-12/20

EMX5000-12/20

C9